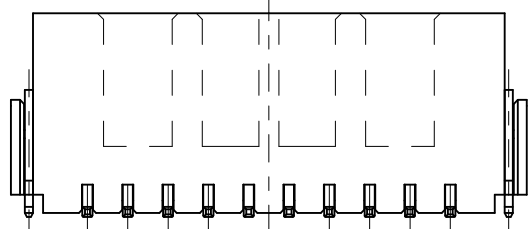
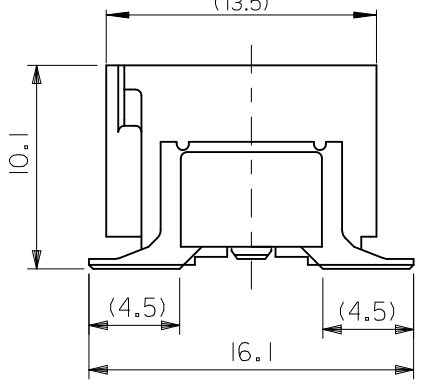
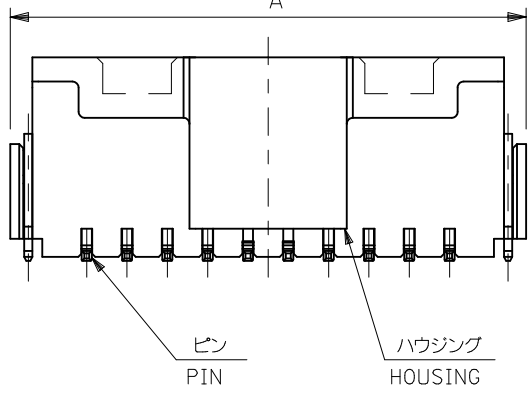
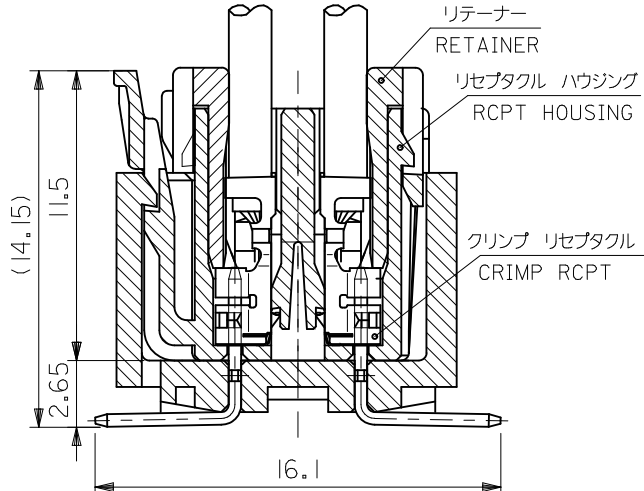
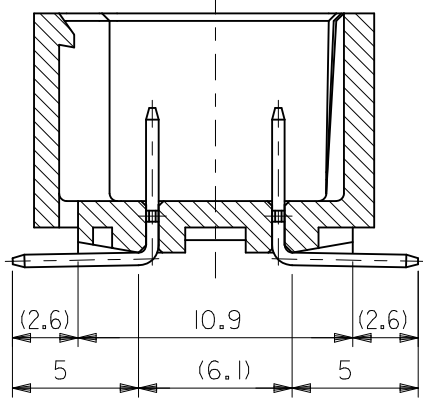
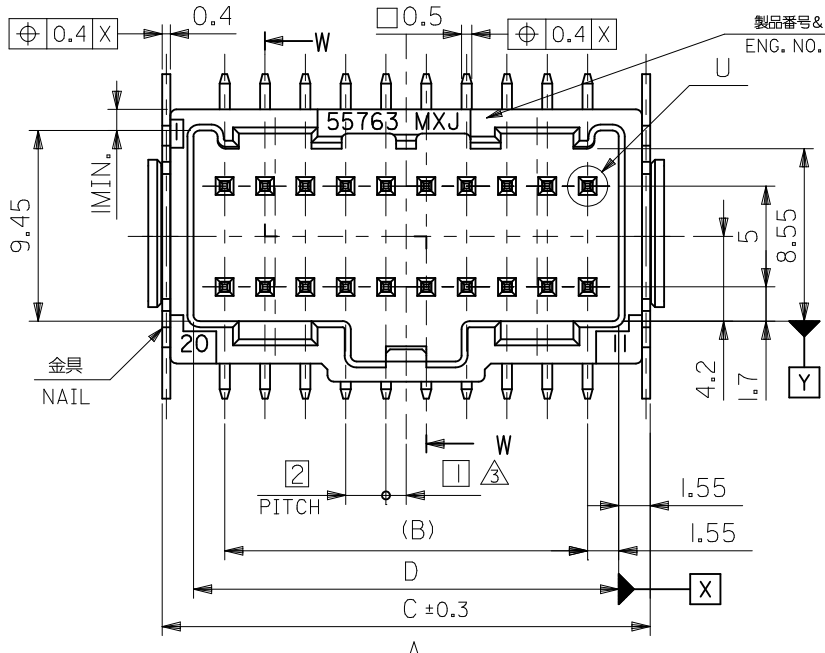
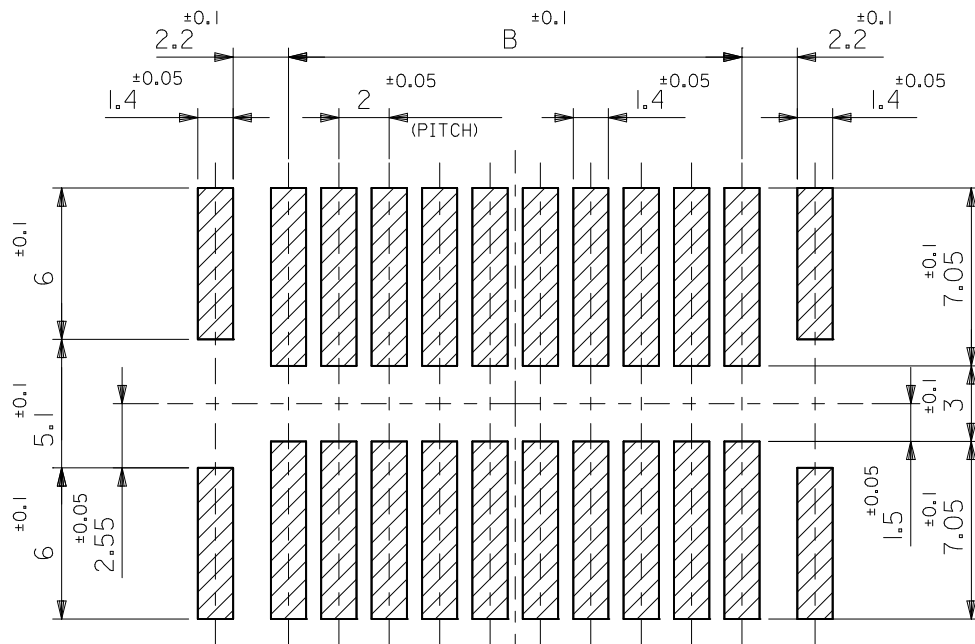


10 9 8 7 6 5 4 3 2 1

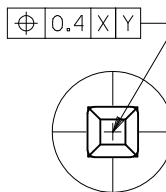


41.1	44.2	38	45.6	55763-408*	40
31.1	34.2	28	35.6	55763-308*	30
21.1	24.2	18	25.6	55763-208*	20
D	C	B	A	△ MATERIAL NO.	CKT.
MODEL NO. 55763-***8*					

REVISED EC NO: J2010-2017 DRWN: ITO CHKD: K. TOJO APPR: NUKITA	2010/04/07 2010/04/09 2010/04/12	GENERAL TOLERANCES (UNLESS SPECIFIED)		DIMENSION STYLE MM ONLY		SCALE 4:1	DESIGN UNITS METRIC	THIRD ANGLE PROJECTION	
		10 UNDER	±0.2	DRAWN BY M. NAGATA	DATE 2004/02/10	TITLE 2.0MM W-TO-B DUAL CONN PLUG HOUSING ASS'Y -LEAD FREE-			
		10 OVER 30 UNDER	±0.25	CHECKED BY K. TOJO	DATE 2004/02/10	MOLEX INCORPORATED			
		30 OVER	±0.3	APPROVED BY M. SASAO	DATE 2004/02/10	DOCUMENT NO. SD-55763-006			
REV	DESCRIPTION	ANGULAR	±3 °	MATERIAL NO. SEE CHART		SHEET NO. 1 OF 2		INCORPORATED AND SHOULD NOT BE USED WITHOUT WRITTEN PERMISSION	
		DRAFT WHERE APPLICABLE MUST REMAIN WITHIN DIMENSIONS		SIZE A3					



参考基板レイアウト (マウント面)  
P.C.BOARD PATTERN DIMENSION (REFERENCE)  
(MOUNTING AREA)



DETAIL U  
SCALE 30:1

注記 NOTES

1. 使用材料 MATERIAL  
ハウジング: ポリアミド、ガラス入り、UL94V-0、色:自然色(白)  
HOUSING: PA46, UL94V-0, COLOR: NATURAL(WHITE)  
ピン: 黄銅 (□0.5)  
PIN: BRASS (□0.5)  
金具: 黄銅 (t=0.4)  
NAIL: BRASS (t=0.4)
2. メッキ仕様 PLATING  
ピン PIN  
錫 2.0マイクロメートル  
TIN 2.0MICROMETER MINIMUM  
下地メッキ: 銅メッキ 1.0マイクロメートル  
UNDER PLATING: COPPER 1.0MICROMETER MINIMUM  
金具 NAIL  
錫 2.0マイクロメートル  
TIN 2.0MICROMETER MINIMUM  
下地メッキ: ニッケルメッキ 1.0マイクロメートル  
UNDER PLATING: NICKEL 1.0MICROMETER MINIMUM

⚠ (全極数/2) = 偶数の場合に適用。  
APPLY FOR (CIRCUIT/2)=EVEN

4. 嵌合相手: 51242-\*\*\*00  
MATE WITH: 51242-\*\*\*00
5. テール平坦度は、0.1以下  
テール及び金具の平坦度は、0.1以下  
TAIL COPLANARITY TO BE 0.1MAXIMUM.  
TAIL AND FITTING NAIL  
COPLANARITY TO BE 0.1 MAXIMUM.

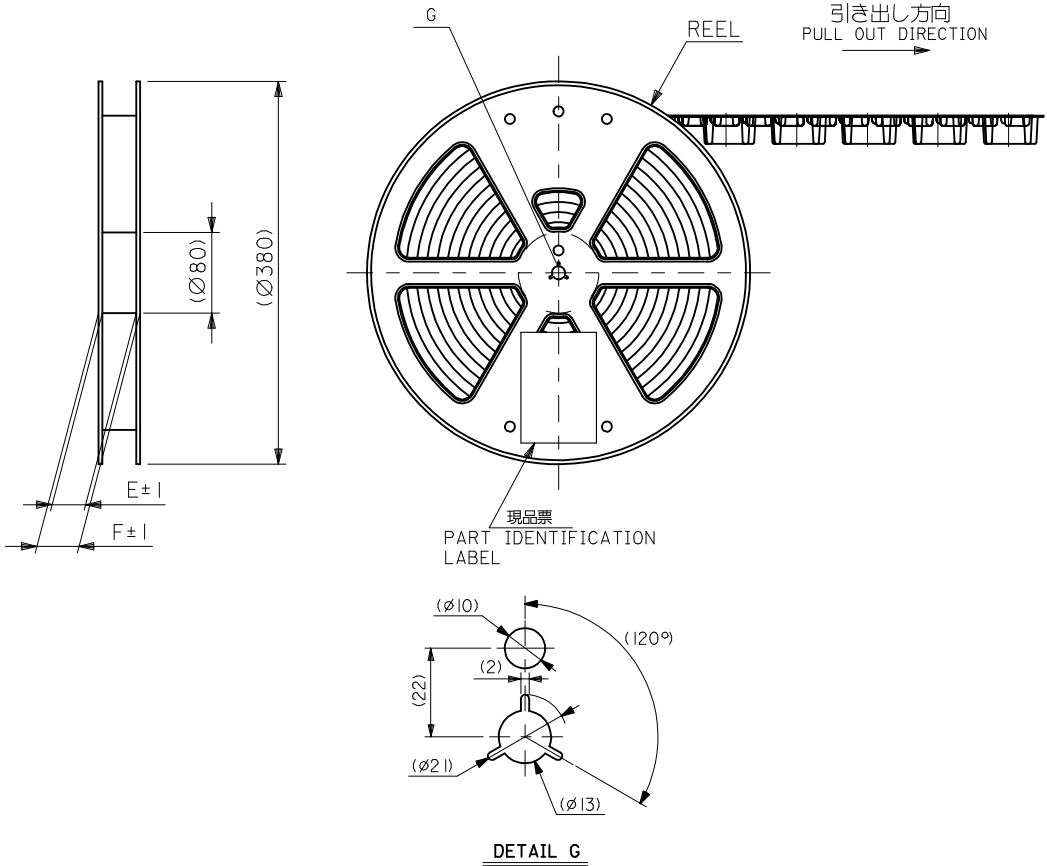
⚠ 製品番号  
MATERIAL NO.  
55763-\*\*\*8\*

極数 CIRCUIT SIZE	色 COLOR	ナチュラル(白) NATURAL(WHITE)	0
		赤 RED	2

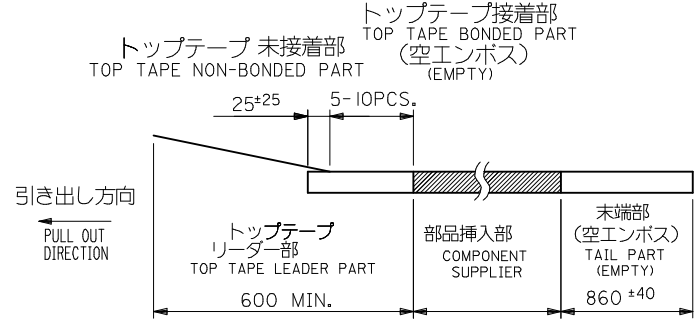
7. 本製品は 55763-\*\*\* の鉛フリー品である。  
THIS PRODUCT IS LEAD FREE OF 55763-\*\*\*

MODEL NO. 55763-\*\*\*8\*

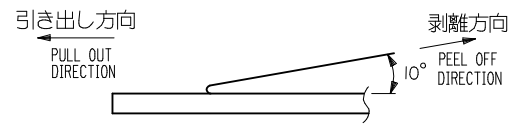
REVISED EC NO: J2010-2017 2010/04/07 DRWN: NITO 2010/04/09 CHKD: K. TOJO 2010/04/12 APPR: NUKITA	DESCRIPTION REV	GENERAL TOLERANCES (UNLESS SPECIFIED)		DIMENSION STYLE MM ONLY		SCALE ---	DESIGN UNITS METRIC	THIRD ANGLE PROJECTION		
		10 UNDER	± ---	DRAWN BY M. NAGATA	DATE 2004/02/10	TITLE 2.0MM W-TO-B DUAL CONN PLUG HOUSING ASS'Y -LEAD FREE-				
		10 OVER 30 UNDER	± ---	CHECKED BY K. TOJO	DATE 2004/02/10	MOLEX INCORPORATED				
		30 OVER	± ---	APPROVED BY M. SASAO	DATE 2004/02/10	MATERIAL NO. SEE CHART		DOCUMENT NO. SD-55763-006	SHEET NO. 2 OF 2	
ANGULAR ± --- ° DRAFT WHERE APPLICABLE MUST REMAIN WITHIN DIMENSIONS		THIS DRAWING CONTAINS INFORMATION THAT IS PROPRIETARY TO MOLEX INCORPORATED AND SHOULD NOT BE USED WITHOUT WRITTEN PERMISSION								



- NOTES
1. 梱包数量：300個/リール  
NUMBER OF CONNECTORS : 300PCS/REEL
  2. リードテープ長さ  
LEAD TAPE LENGTH



3. トップテープの剥離強度：0.1N ~ 1.3N (10 ~ 130gf)  
<剥離速度：300mm/min (参考)> (剥離方向は下図参照)  
PEELING OFF FORCE OF TOP TAPE : 0.1N ~ 1.3N (10 ~ 130gf)  
(PEELING DIRECTION AS SHOWN IN FOLLOWING FIG.)  
PEELING OFF SPEED : 300mm/min. (REF.)



4. 材料 キャリアテープ：ポリプロピレン (PP)  
トップテープ：PET、PE、PEF  
リール：ポリスチレン (PS) <リサイクル材を含む>  
MATERIAL CARRIER TAPE : POLYPROPYLENE  
TOP TAPE : PET, PE, PEF  
REEL : POLYSTYREN(PS) <RECYCLE MATERIAL CONTAINED>

5. 欠損無きこと。  
THERE MUST NOT BE LOSS.

△ 製品番号  
MATERIAL NO.  
55763-\*\*\*7\*

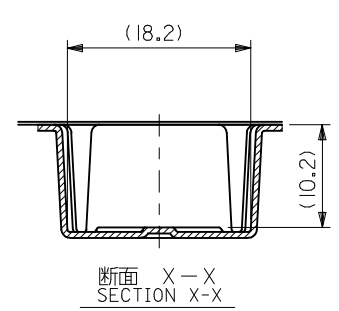
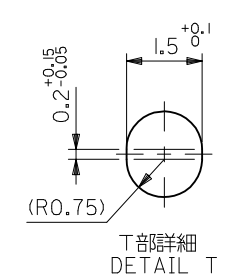
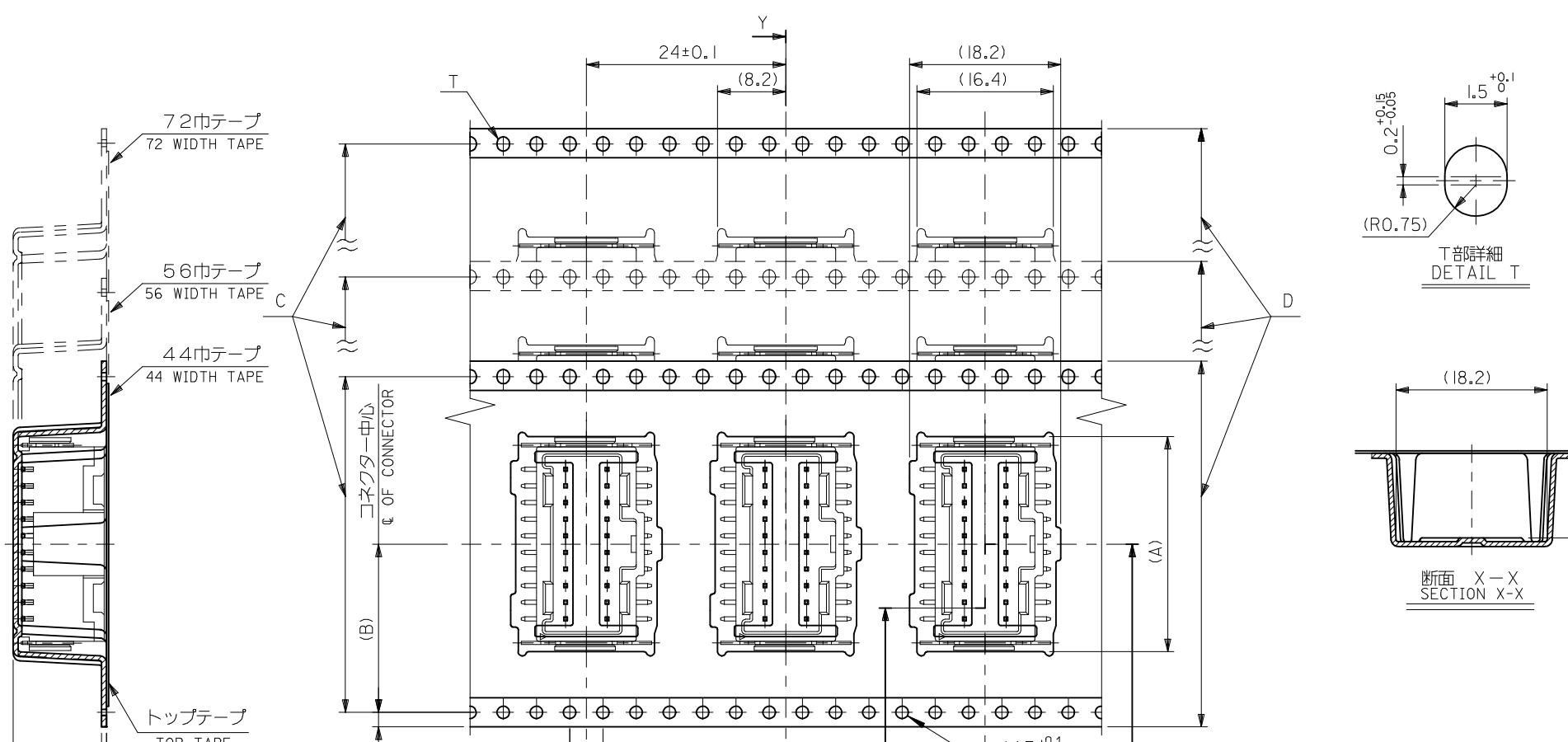
極数 CIRCUIT SIZE	色 COLOR	ナチュラル(白) NATURAL(WHITE)	0
		赤 RED	2

7. 本製品は 55763-\*\*\*9\* の鉛フリー品である。  
THIS PRODUCT IS LEAD FREE OF 55763-\*\*\*9\*.

8. 本製品は乾燥剤入り、ハイバリア梱包仕様である。  
開梱後の保管条件に注意して下さい。(PS-51242-002参照)  
HIGH BARRIER PACKAGING INCLUDING DESICCANT.  
NOTE THE CONDITION OF THE OPEN PACKAGE.  
(REFER TO PS-51242-002)

REVISED EC NO: J2014-0008 DRWN: ITO 2013/07/01 CHKD: KASAKAWA 2013/07/01 APPR: NUKITA 2013/07/02	DESCRIPTION	GENERAL TOLERANCES (UNLESS SPECIFIED)		DIMENSION STYLE MM ONLY		SCALE ---	DESIGN UNITS METRIC	MODEL NO. 55763-***7*	
		10 UNDER	±0.2	DRAWN BY M. NAGATA	DATE 2004/02/10	TITLE 2.0MM W-TO-B DUAL CONN ASS'Y EMBSTP PKG HIGH BARRIER		THIRD ANGLE PROJECTION	
		10 OVER 30 UNDER	±0.25	CHECKED BY K. TOJO	DATE 2004/02/10	molex		DOCUMENT NO. SD-55763-007	
		30 OVER	±0.3	APPROVED BY M. SASAO	DATE 2004/02/10			SHEET NO. 1 OF 2	
REV		ANGULAR ±3 ° DRAFT WHERE APPLICABLE MUST REMAIN WITHIN DIMENSIONS		MATERIAL NO. SEE SHEET 2		THIS DRAWING CONTAINS INFORMATION THAT IS PROPRIETARY TO MOLEX INCORPORATED AND SHOULD NOT BE USED WITHOUT WRITTEN PERMISSION			

10 9 8 7 6 5 4 3 2 1



RED	61.4	57.4	56±0.3	52.4	26.25	35.9	55763-3072	30
NATURAL	77.4	73.4	72±0.3	68.4	34.25	45.9	55763-4070	40
	61.4	57.4	56±0.3	52.4	26.25	35.9	55763-3070	30
	49.4	45.4	44±0.3	40.4	20.25	25.9	55763-2070	20
COLOR	F	E	D キャリアテープ幅 CARRIER TAPE WIDTH	C	(B)	(A)	製品番号 MATERIAL NO.	極数 CIRCUITS
							MODEL NO.   55763-***7*	

REVISED EC NO: J2014-0008 DRWN: NITO 2013/07/01 CHKD: KASAKAWA 2013/07/01 APPR: NUKITA 2013/07/02	GENERAL TOLERANCES (UNLESS SPECIFIED)		DIMENSION STYLE MM ONLY		SCALE 2:1	DESIGN UNITS METRIC	THIRD ANGLE PROJECTION	
	10 UNDER	±0.2	DRAWN BY M. NAGATA	DATE 2004/02/10	TITLE 2.0MM W-TO-B DUAL CONN ASS'Y EMBSTP PKG			
	10 OVER 30 UNDER	±0.25	CHECKED BY K. TOJO	DATE 2004/02/10				
	30 OVER	±0.3	APPROVED BY M. SASAO	DATE 2004/02/10				
	ANGULAR ±3 °	DRAFT WHERE APPLICABLE MUST REMAIN WITHIN DIMENSIONS		MATERIAL NO. SEE TABLE	DOCUMENT NO. SD-55763-007	SHEET NO. 2 OF 2		
		THIS DRAWING CONTAINS INFORMATION THAT IS PROPRIETARY TO MOLEX INCORPORATED AND SHOULD NOT BE USED WITHOUT WRITTEN PERMISSION						

9 8 7 6 5 4 3 2