

SPLICE

TE Internal #: 63130-2

Splices, 1500 – 5000 CMA Wire Size, Brass, Thru Splice / Pigtail

Splice Splice, Serrated, 3 Serration, Length .325 in [8.26 mm], Reel,

Open, SPLICE

[View on TE.com >](#)

Terminals & Splices > Splices

Sealable: **No**Wire Size: **1500 – 5000 CMA**Primary Product Material: **Brass**Splice Type: **Pigtail Splice, Thru Splice**Terminal Material Thickness: **.51 mm [.02 in]****Features****Product Type Features**

Barrel Style	Standard
Sealable	No
Splice Type	Pigtail Splice, Thru Splice
Serrated	Yes
Compatible With Discrete Wire Type	Solid, Stranded
Wire Insulation Support Retention Type	Non-Insulation Support

Configuration Features

Number of Serrations	3
Compatible With Wire & Cable Type	Discrete Wire

Body Features

Weight per Piece	.151 g
Plating Material	Unplated
Primary Product Material	Brass

Contact Features



Barrel Type	Open
-------------	------

Mechanical Attachment

Wire Insulation Support	Without
-------------------------	---------

Dimensions

Wire Size	1500 – 5000 CMA
-----------	-----------------

Terminal Material Thickness	.51 mm [.02 in]
-----------------------------	-----------------

Overall Product Length	8.26 mm [.325 in]
------------------------	-------------------

Usage Conditions

Insulation Option	Uninsulated
-------------------	-------------

Operating Temperature Range	-40 – 110 °C [-40 – 230 °F]
-----------------------------	-----------------------------

Operation/Application

Heavy Duty	No
------------	----

Compatible With Wire Base Material	Copper
------------------------------------	--------

Industry Standards

Government Qualified Splice	No
-----------------------------	----

Packaging Features

Packaging Quantity	7500
--------------------	------

Packaging Method	Reel
------------------	------

Product Compliance

[For compliance documentation, visit the product page on TE.com>](#)

EU RoHS Directive 2011/65/EU	Compliant
------------------------------	-----------

EU ELV Directive 2000/53/EC	Compliant
-----------------------------	-----------

China RoHS 2 Directive MIIT Order No 32, 2016	No Restricted Materials Above Threshold
---	---

EU REACH Regulation (EC) No. 1907/2006	Current ECHA Candidate List: JUNE 2022 (224) Candidate List Declared Against: JAN 2022 (223) SVHC > Threshold: Not Yet Reviewed
--	--

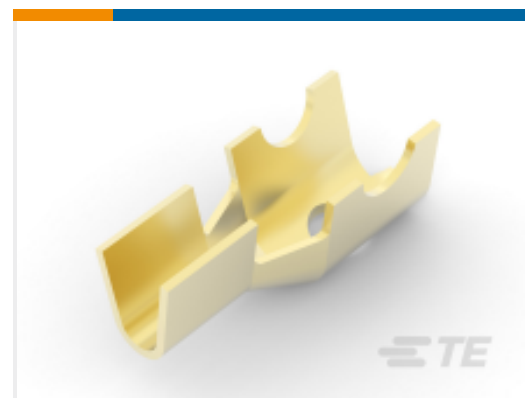
Halogen Content	Low Halogen - Br, Cl, F, I < 900 ppm per homogenous material. Also BFR/CFR/PVC Free
-----------------	---

Solder Process Capability	Not applicable for solder process capability
---------------------------	--

Product Compliance Disclaimer

This information is provided based on reasonable inquiry of our suppliers and represents our current actual knowledge based on the information they provided. This information is subject to change. The part numbers that TE has identified as EU RoHS compliant have a maximum concentration of 0.1% by weight in homogenous materials for lead, hexavalent chromium, mercury, PBB, PBDE, DBP, BBP, DEHP, DIBP, and 0.01% for cadmium, or qualify for an exemption to these limits as defined in the Annexes of Directive 2011/65/EU (RoHS2). Finished electrical and electronic equipment products will be CE marked as required by Directive 2011/65/EU. Components may not be CE marked. Additionally, the part numbers that TE has identified as EU ELV compliant have a maximum concentration of 0.1% by weight in homogenous materials for lead, hexavalent chromium, and mercury, and 0.01% for cadmium, or qualify for an exemption to these limits as defined in the Annexes of Directive 2000/53/EC (ELV). Regarding the REACH Regulation, the information TE provides on SVHC in articles for this part number is based on the latest European Chemicals Agency (ECHA) 'Guidance on requirements for substances in articles' posted at this URL: <https://echa.europa.eu/guidance-documents/guidance-on-reach>

Compatible Parts



TE Part # 60806-1
SPLICE IS 1600-4100 .0126 BR



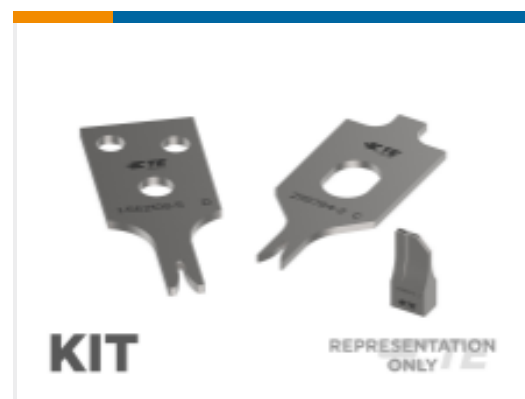
TE Part # 62754-1
SPLICE 14000-30000 .030 BR



TE Part # 2305570-1
TERMINAL CUTTER, SIDE FEED



TE Part # 2151546-1
OCEAN_2.0_APPPLICATOR-S-110F



TE Part # 7-2151546-7
OCEAN_2.0_SPARE_PART_KIT-110F



TE Part # 2-2151546-1
OCEAN_2.0_APPPLICATOR-S-110F



TE Part # 2-2151546-2
OCEAN_2.0_APPPLICATOR-S-110FA



TE Part # 2151546-2
OCEAN_2.0_APPPLICATOR-S-110FA



TE Part # 7-2151546-1
OCEAN_2.0_APPPLICATOR-S-110F



TE Part # 7-2151546-2
OCEAN_2.0_APPPLICATOR-S-110FA



TE Part # 2362453-1
CT, HARNESS, WEICHAI BOSCH WP13
EURP VI

Also in the Series | SPLICE



Crimp Wire Pins, Tabs & Ferrules(1)



Splices(65)

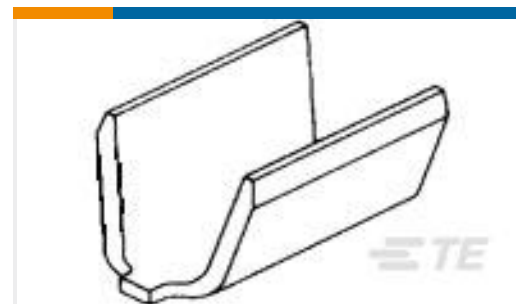
Customers Also Bought



TE Part #521411-2
ULTRA-POD 250 ASY REC 22-18 AWG
TPBR



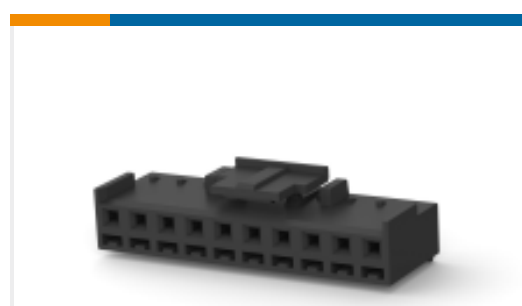
TE Part #2132781-9
09P EP-II HOUSING, NATURAL



TE Part #62357-1
SPLICE 7400-10000 .025 BR



TE Part #62759-1
SPLICE 400-1300 .016 BR



TE Part #1-1744498-0
10P EP-II HOUSING, BLACK



TE Part #2029387-1
04P UMNL SHORT LATCH PLUG VO



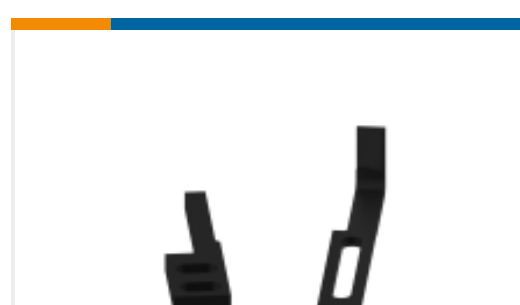
TE Part #2029457-1
06P UMNL PLUG RED S-LATCH VO



TE Part #6-2338183-4
EP 2.5 HOUSING 4P, YELLOW, UL
version



TE Part #F82626-000
SCT-NO.2-E5-0-40MM



TE Part #2119534-1
MOUNT, STRIPPER, SIDE FEED

Documents

Product Drawings

[SPLICE REC. 1500-5000 .020 BR](#)

English

CAD Files

[3D PDF](#)

3D

[Customer View Model](#)

[ENG_CVM_CVM_63130-2_AD.2d_dxf.zip](#)



English

Customer View Model

[ENG_CVM_CVM_63130-2_AD.3d_igs.zip](#)

English

Customer View Model

[ENG_CVM_CVM_63130-2_AD.3d_stp.zip](#)

English

By downloading the CAD file I accept and agree to the [Terms and Conditions](#) of use.

Product Specifications

Application Specification

English

Product Environmental Compliance

[MD_63130-2_11162018855_dmtec](#)

English

[MD_63130-2_11162018855_dmtec](#)

English

Agency Approvals

CSA Certificate

English

CSA Certificate

English