

63882-1 ✓ ACTIVE

MAG-MATE

TE Internal #: 63882-1

Magnet Wire Terminals, Tab, Mating Tab Width .25 in [6.35 mm],

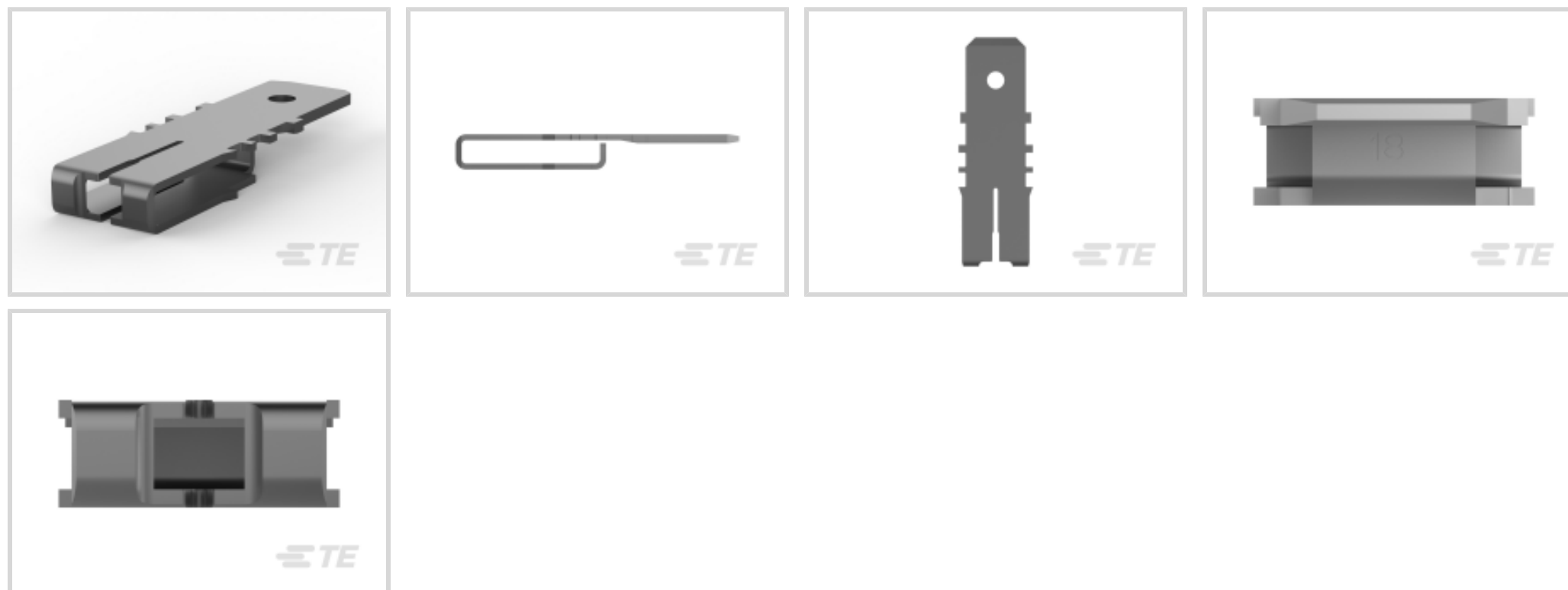
Size 4, .64 – .81 mm Magnet Wire, 22 – 20 AWG Magnet Wire,

MAG-MATE

[View on TE.com >](#)



Terminals & Splices > Magnet Wire Terminals



Magnet Wire Terminal Type: **Tab**

Mating Tab Width: **6.35 mm [.25 in]**

Mating Tab Thickness: **.8 mm [.032 in]**

Compatible With Cavity Size: **Size 4**

Magnet Wire Size: **.64 – .81 mm**

Features

Product Type Features

Compatible With Discrete Wire Type	Magnet Wire, Solid
Sealable	No

Body Features

Body Shape	Wide
Compatible With Cavity Size	Size 4

Contact Features

Magnet Wire Terminal Type	Tab
Mating Tab Width	6.35 mm[.25 in]
Mating Tab Thickness	.8 mm[.032 in]
Terminal Plating Material	Tin
Terminal Orientation	Straight

Termination Features

Termination Method to Wire & Cable	Insulation Displacement (IDC)
------------------------------------	-------------------------------



Mechanical Attachment

Contact Mating Retention Type	Hole
-------------------------------	------

Dimensions

Terminal Height	12.83 mm[.505 in]
Magnet Wire Size	22 – 20 AWG
Stock Thickness (Magnet Wire Side)	.51 mm[.02 in]
Overall Product Length	24.18 mm[.95 in]

Usage Conditions

Insulation Option	Uninsulated
-------------------	-------------

Operation/Application

Compatible With Wire Base Material	Aluminum, Copper
------------------------------------	------------------

Identification Marking

Identification Number	18
-----------------------	----

Packaging Features

Packaging Quantity	1000
Packaging Method	Bag

Other

Comment	After insertion into plastic cavity, tab portion can not be bent over. The body is potted in only., Two magnet wires may be terminated in the same terminal slot if diameters are equal.
---------	--

Product Compliance

[For compliance documentation, visit the product page on TE.com>](#)

EU RoHS Directive 2011/65/EU	Compliant
EU ELV Directive 2000/53/EC	Compliant
China RoHS 2 Directive MIIT Order No 32, 2016	No Restricted Materials Above Threshold
EU REACH Regulation (EC) No. 1907/2006	Current ECHA Candidate List: JUNE 2022 (224) Candidate List Declared Against: JAN 2022 (223) SVHC > Threshold: Not Yet Reviewed
Halogen Content	Low Halogen - Br, Cl, F, I < 900 ppm per homogenous material. Also BFR/CFR/PVC

Free

Solder Process Capability

Not applicable for solder process capability

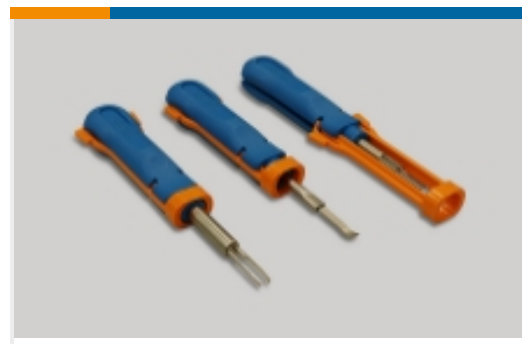
Product Compliance Disclaimer

This information is provided based on reasonable inquiry of our suppliers and represents our current actual knowledge based on the information they provided. This information is subject to change. The part numbers that TE has identified as EU RoHS compliant have a maximum concentration of 0.1% by weight in homogenous materials for lead, hexavalent chromium, mercury, PBB, PBDE, DBP, BBP, DEHP, DIBP, and 0.01% for cadmium, or qualify for an exemption to these limits as defined in the Annexes of Directive 2011/65/EU (RoHS2). Finished electrical and electronic equipment products will be CE marked as required by Directive 2011/65/EU. Components may not be CE marked. Additionally, the part numbers that TE has identified as EU ELV compliant have a maximum concentration of 0.1% by weight in homogenous materials for lead, hexavalent chromium, and mercury, and 0.01% for cadmium, or qualify for an exemption to these limits as defined in the Annexes of Directive 2000/53/EC (ELV). Regarding the REACH Regulation, the information TE provides on SVHC in articles for this part number is based on the latest European Chemicals Agency (ECHA) 'Guidance on requirements for substances in articles' posted at this URL: <https://echa.europa.eu/guidance-documents/guidance-on-reach>

Compatible Parts

 <p>TE Part # 63598-1 MAG-MATE 250 F-TAB TPBR</p>	 <p>TE Part # 63881-1 MAG-MATE 250 F. TAB TPBR</p>	 <p>TE Part # 63459-3 MAG-MATE 250 F-TAB 15-16 TPBR</p>	 <p>TE Part # 63459-2 MAG-MATE 250 F-TAB 15-16 TPBR</p>
 <p>TE Part # 63495-1 MAG-MATE 250 F-TAB TPBR</p>	 <p>TE Part # 63464-3 MAG-MATE 250 F-TAB TPBR</p>	 <p>TE Part # 1217339-1 TAB 187 FASTON 500 MAG-MATE</p>	 <p>TE Part # 63155-1 MAG-MATE 250 F TAB 032 TPBR</p>
 <p>TE Part # 63277-1 MAG-MATE 090 PIN 22-20 016TPBR</p>	 <p>TE Part # 63883-1 MAG-MATE 250 F-TAB TPBR</p>	 <p>TE Part # 63898-1 MAG-MATE 250FTAB 30-27 TPBR</p>	

Also in the Series | **MAG-MATE**



Insertion & Extraction Tools(8)

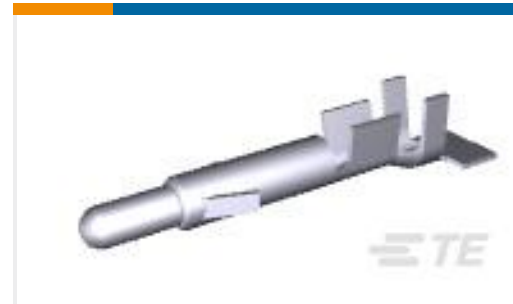
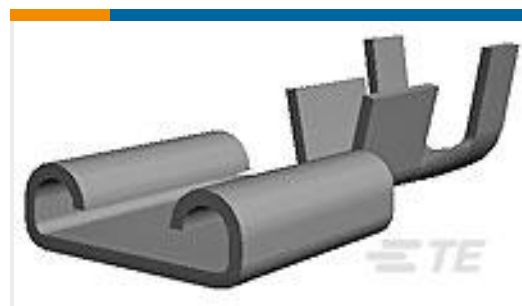
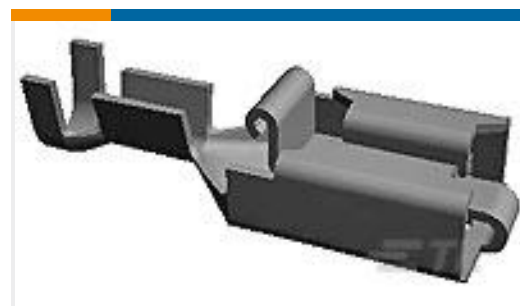
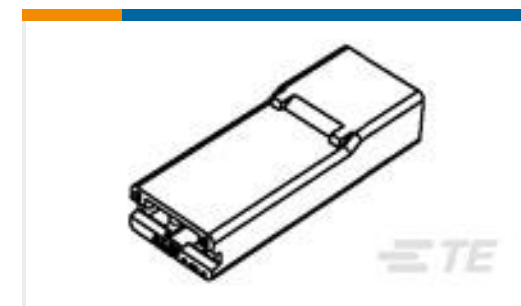


Magnet Wire Terminals(464)



PCB Terminals(1)

Customers Also Bought

TE Part #63881-1
MAG-MATE 250 F. TAB TPBRTE Part #5-160558-2
FF 250 REC 0.5-1.5MM2 TPBRTE Part #926883-1
UNIVERSAL M-N-L PINTE Part #926882-1
UNIV.M-N-L.SOCKETTE Part #5-160432-3
250 FASTON REC 20-16 AWG BRTE Part #927854-6
PL 250 REC TERMINAL 17-13 AWG
PTPBTE Part #282830-3
TERMI-BLOK PLUG 90&180 3P. 5TE Part #735075
250 FASTON HSG. REC. 1P CLEARTE Part #925068
250 FASTON HSG. REC. 1P CLEAR

Documents

Product Drawings

[MAG-MATE 250 F-TAB TPBR](#)

English

CAD Files

[3D PDF](#)

3D

[Customer View Model](#)

[ENG_CVM_CVM_63882-1_F_c-63882-1-f.2d_dxf.zip](#)



English

Customer View Model

[ENG_CVM_CVM_63882-1_F_c-63882-1-f.3d_igs.zip](#)

English

Customer View Model

[ENG_CVM_CVM_63882-1_F_c-63882-1-f.3d_stp.zip](#)

English

By downloading the CAD file I accept and agree to the [Terms and Conditions](#) of use.

Datasheets & Catalog Pages

[Magnet Wire Terminals & Splices](#)

English

Product Specifications

[Application Specification](#)

English

Product Environmental Compliance

[Product Compliance](#)

English

[Product Compliance](#)

English