

61627-1 ✓ ACTIVE

MATE-N-LOK | Commercial MATE-N-LOK

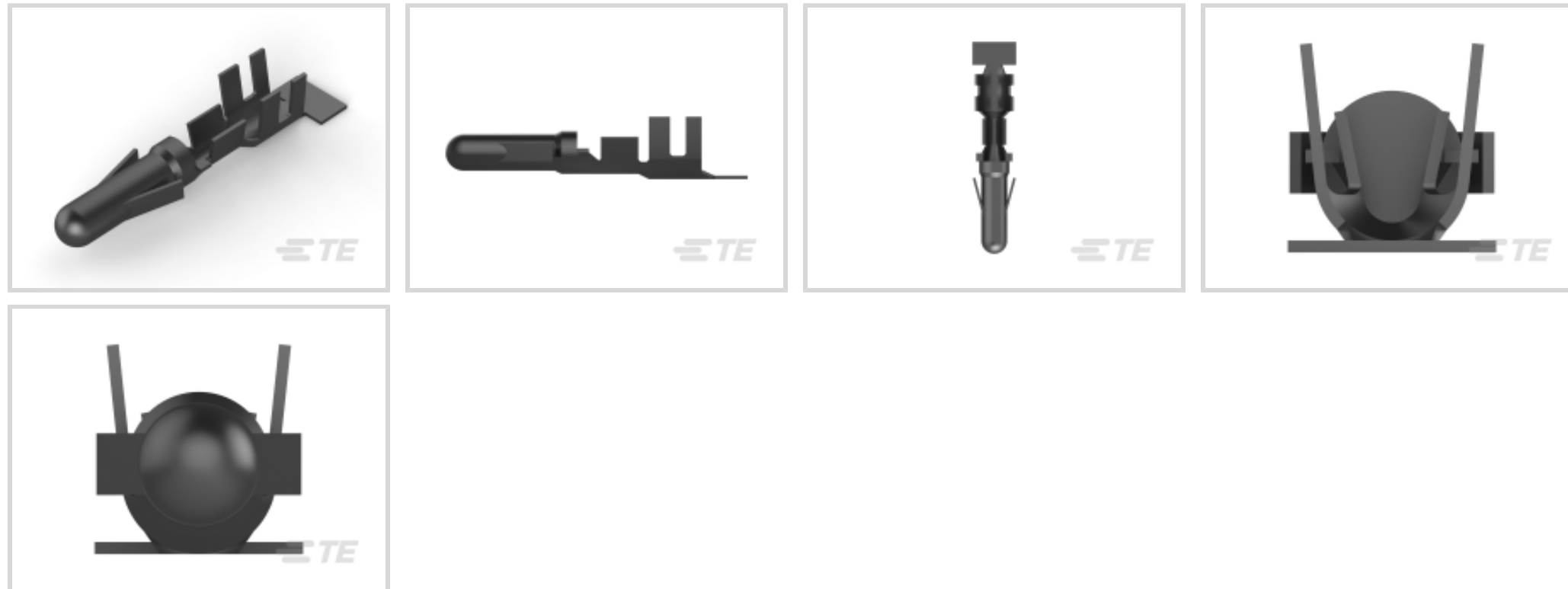
TE Internal #: 61627-1

Power Contacts, Contact, 250 VAC, Tin, 20 – 14 AWG Wire Size, .5 – 2 mm² Wire Size, Wire-to-Wire, Wire & Cable, Crimp, Power, Commercial MATE-N-LOK

[View on TE.com >](#)



Connectors > Power Connectors > Power Contacts



Power Contact Type: **Contact**

Operating Voltage: **250 VAC**

Contact Mating Area Plating Material: **Tin**

Wire Size: **.5 – 2 mm²**

Features

Product Type Features

Power Contact Type	Contact
Connector System	Wire-to-Wire
Connector & Contact Terminates To	Wire & Cable

Electrical Characteristics

Operating Voltage	250 VAC
-------------------	---------

Contact Features

Contact Mating Area Plating Material	Tin
Contact Current Rating (Max)	17 A
Contact Type	Pin
Contact Retention Within Housing	With
Mating Pin Diameter	3.56 mm[.14 in]
Contact Base Material	Brass
Wire Contact Termination Area Plating Material	Tin
Wire Contact Termination Area Plating Material Finish	Bright
Contact Orientation	Straight



Termination Features

Termination Method to Wire & Cable	Crimp
------------------------------------	-------

Mechanical Attachment

Contact Retention Type Within Housing	Locking Lance
Connector Mounting Type	Cable Mount (Free-Hanging)
Wire Insulation Support	With

Dimensions

Wire Size	.5 – 2 mm ²
Accepts Wire Insulation Diameter Range	2.54 – 4.57 mm [.1 – .18 in]

Usage Conditions

Operating Temperature Range	-55 – 105 °C [-67 – 221 °F]
-----------------------------	-----------------------------

Operation/Application

Circuit Application	Power
---------------------	-------

Industry Standards

Glow Wire Rating	Standard Part - Not Glow Wire
Agency/Standard	CSA, UL
UL Flammability Rating	UL 94V-2
UL File Number	E28476

Packaging Features

Packaging Method	Reel
Packaging Quantity	2500

Other

Wire/Cable Type	Discrete Wire
For Use With	Pin (Cap) Housing
Comment	HDM Applicator part number ending in -1 is used on AMPOMATOR CLS Machine with T or G Terminators, -2 is used on AMP-O-LECTRIC Model K Machine, -6 is used on AMP-O-LECTRIC Model G Machine.

Product Compliance

For compliance documentation, visit the product page on [TE.com](https://www.te.com)>

EU RoHS Directive 2011/65/EU	Compliant
------------------------------	-----------

EU ELV Directive 2000/53/EC

Compliant

China RoHS 2 Directive MIIT Order No 32, 2016

No Restricted Materials Above Threshold

EU REACH Regulation (EC) No. 1907/2006

Current ECHA Candidate List: JUNE 2022 (224)

Candidate List Declared Against: JAN 2022 (223)

SVHC > Threshold:

Not Yet Reviewed

Halogen Content

Low Halogen - Br, Cl, F, I < 900 ppm per homogenous material. Also BFR/CFR/PVC Free

Solder Process Capability

Not applicable for solder process capability

Product Compliance Disclaimer

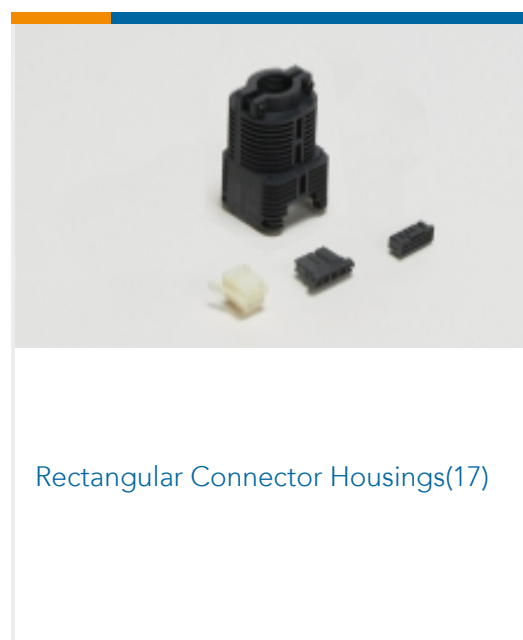
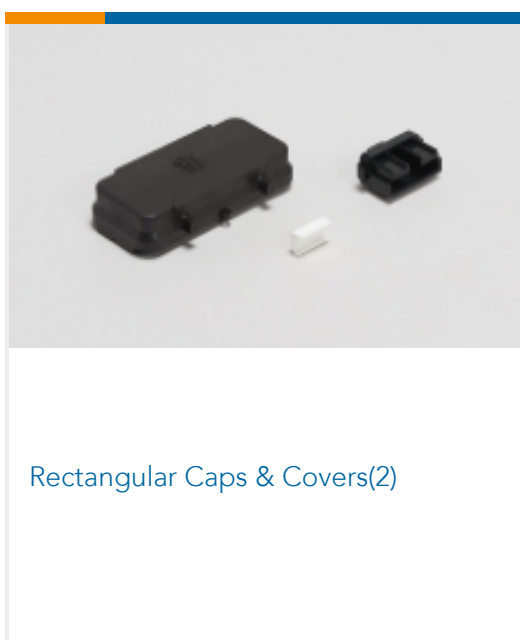
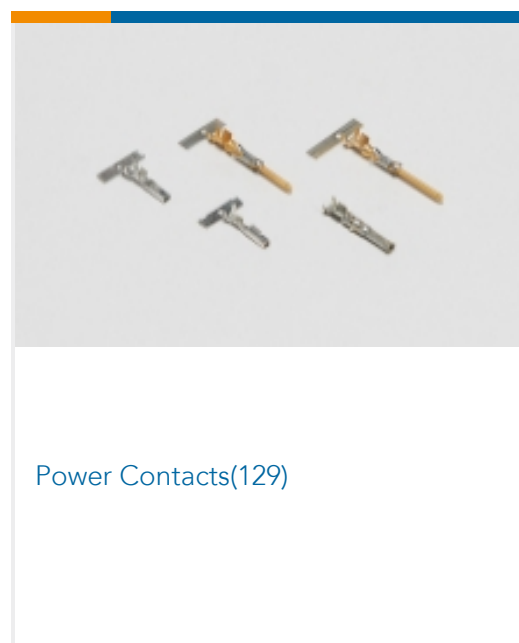
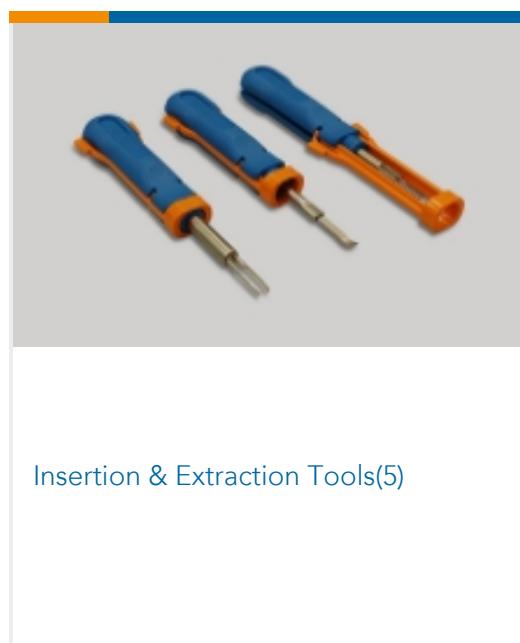
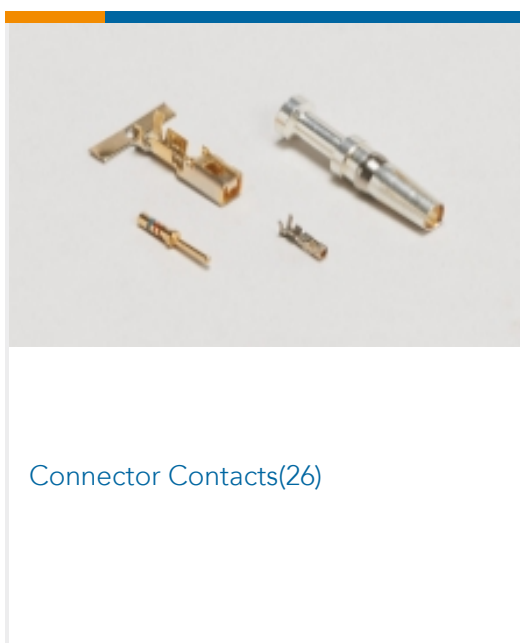
This information is provided based on reasonable inquiry of our suppliers and represents our current actual knowledge based on the information they provided. This information is subject to change. The part numbers that TE has identified as EU RoHS compliant have a maximum concentration of 0.1% by weight in homogenous materials for lead, hexavalent chromium, mercury, PBB, PBDE, DBP, BBP, DEHP, DIBP, and 0.01% for cadmium, or qualify for an exemption to these limits as defined in the Annexes of Directive 2011/65/EU (RoHS2). Finished electrical and electronic equipment products will be CE marked as required by Directive 2011/65/EU. Components may not be CE marked. Additionally, the part numbers that TE has identified as EU ELV compliant have a maximum concentration of 0.1% by weight in homogenous materials for lead, hexavalent chromium, and mercury, and 0.01% for cadmium, or qualify for an exemption to these limits as defined in the Annexes of Directive 2000/53/EC (ELV). Regarding the REACH Regulation, the information TE provides on SVHC in articles for this part number is based on the latest European Chemicals Agency (ECHA) 'Guidance on requirements for substances in articles' posted at this URL: <https://echa.europa.eu/guidance-documents/guidance-on-reach>

Compatible Parts





Also in the Series | Commercial MATE-N-LOK





Standard Circular Connectors(4)

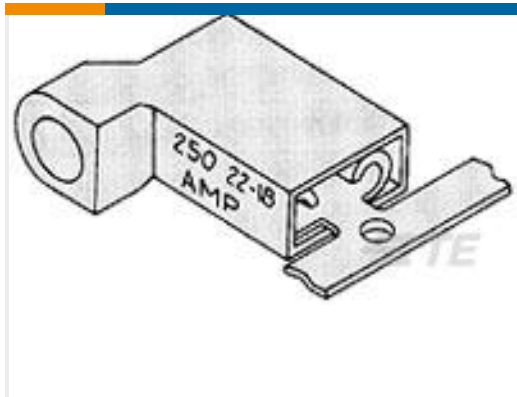
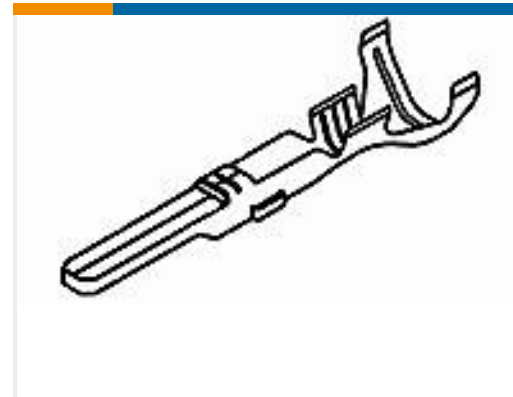
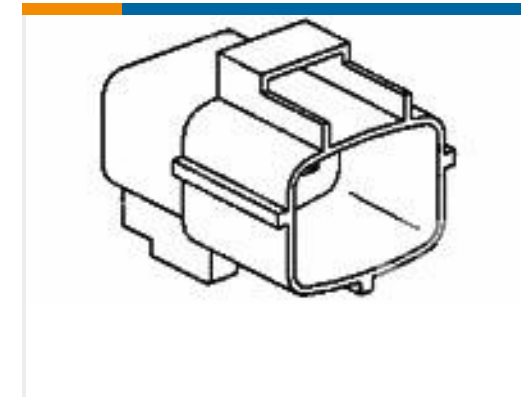
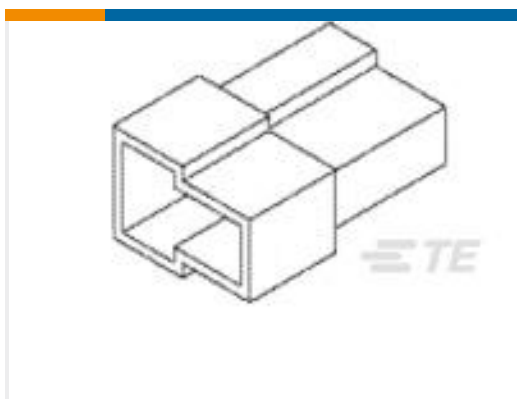
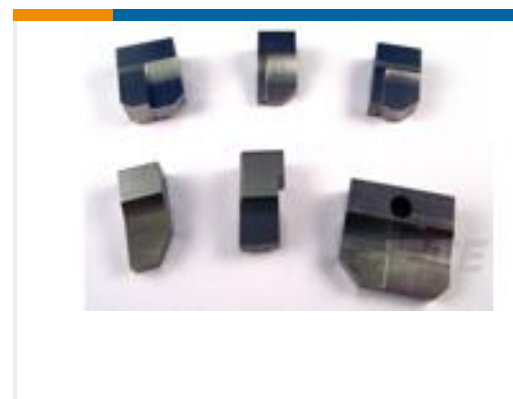
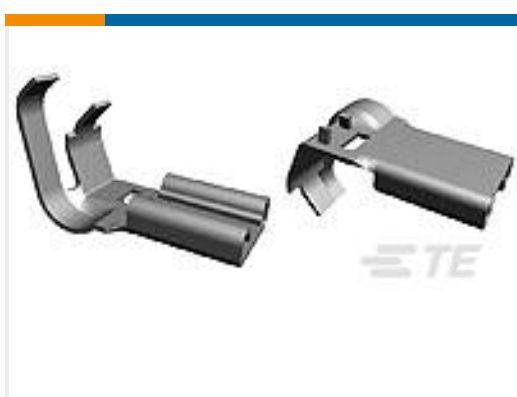
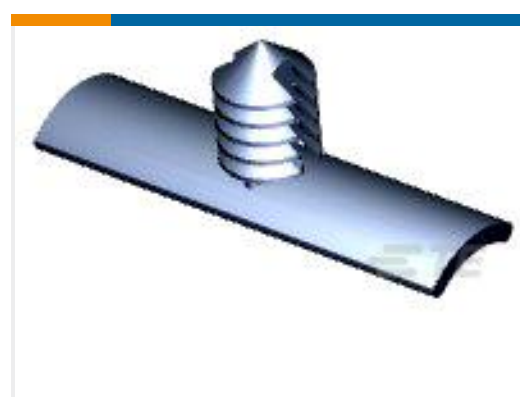


Standard Rectangular Connectors(10)



Wire-to-Board Connector Contacts(1)

Customers Also Bought

TE Part #2-520856-2
ULTRA-FAST 250 ASY REC 22-18 TPBRTE Part #1393143-1
27E043=SOCKET,KU,11,SLG,NYL,NTE Part #881594-1
ECONOSEAL TAB .070TE Part #444010-1
KIT ECONOSEAL J 12TE Part #480116-3
FF 250 TAB HSG 2P NYLON BLACKTE Part #1-926522-2
PL 250 REC HSG 2P NYLON NATTE Part #1-1338690-1
ANVIL, COMBINATION .055TE Part #3-1633860-8
CRIMPER, WIRE FTE Part #60641-1
250 FASTON FLAG REC 18-12 AWG
BRTE Part #3-1437837-1
WIRING RETAINER, EOVB13A506CA

Documents

Product Drawings

[.140 DIA PIN 20-14 PTPBR](#)

English

CAD Files

Customer View Model

[ENG_CVM_61627-1_D.3d_igs.zip](#)

English

Customer View Model

[ENG_CVM_61627-1_D.3d_stp.zip](#)

English

Customer View Model[ENG_CVM_61627-1_D.2d_dxf.zip](#)

English

3D PDF

English

3D PDF

3D

Customer View Model[ENG_CVM_CVM_61627-1_V.2d_dxf.zip](#)

English

Customer View Model[ENG_CVM_CVM_61627-1_V.3d_igs.zip](#)

English

Customer View Model[ENG_CVM_CVM_61627-1_V.3d_stp.zip](#)

English

By downloading the CAD file I accept and agree to the [Terms and Conditions](#) of use.

Datasheets & Catalog Pages

[SOFT_SHELL_PIN_SOCKET_CONNECTORS_STANDARD_DENSITY](#)

English

Product Specifications

Application Specification

English

[MATE-N-LOK .140 Diameter Pin And Socket Contacts](#)

English

Application Specification

Japanese

Application Specification

Japanese

[MATE-N-LOK .140 Diameter Pin & Socket Contacts](#)

Japanese

Product Environmental Compliance

[MD_61627-1_091820141220_dmtec](#)

English

[MD_61627-1_091820141220_dmtec](#)

English