

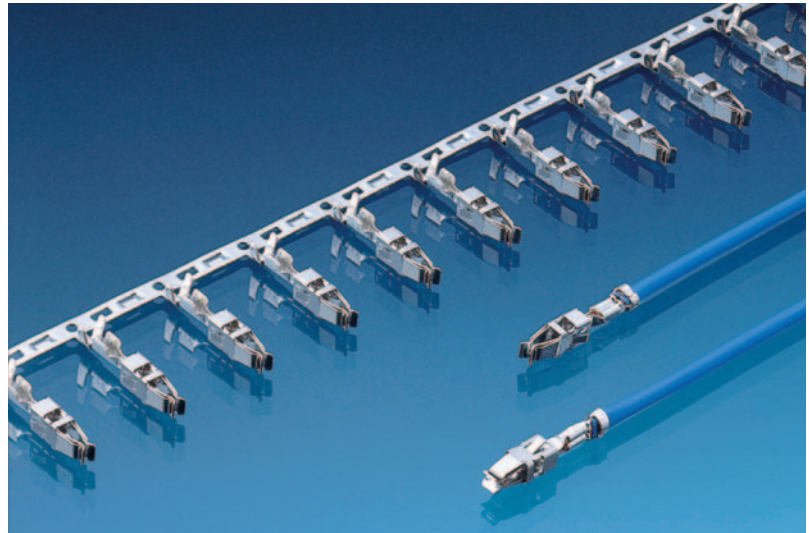
DCS-2



2.8 mm female and male terminals

Features

- DCS-2 technology
- Long auxiliary steel spring in CrNi
- 5 mm pitch for unsealed applications
- 6 mm pitch for sealed applications with single wire seal
- Single wire seal versions available
- Crimp code on terminal
- Suitable for secondary lock
- Selective gold-plated versions available



Performance characteristics*

- Contact resistance: < 2 mΩ
- Contact mating force: < 9 N
- Contact unmating force: < 5 N
- Current carrying capacity with 2.5 mm² wire:

at 23°C up to approx.:	33 A
at 85°C up to approx.:	22 A
at 100°C up to approx.:	17 A

* Mated with 2.8 x 0.8 mm DCS-2 male terminal (Sn)

Packing

- No. of terminals per reel: Consult us
- No. of reels per packing: Consult us

Tooling

- Manual crimping tool: Consult us
- Mini applicator: Consult us

Part Numbers	Type	Wire size range (in mm ²)		Insulation Ø (in mm) Max.	Material	Plating
		Min.	Max.			
6 001 28 11	Female	0.20	0.35	1.30	CuSn/CrNi	Sn
6 001 28 31	Female	0.50	1.00	2.00	CuSn/CrNi	Sn
6 001 28 41	Female	> 1.00	2.50	3.00	CuSn/CrNi	Sn
6 001 29 11 (SWS)	Female	0.20	0.35	1.30	CuSn/CrNi	Sn
6 001 29 31 (SWS)	Female	0.50	1.00	2.00	CuSn/CrNi	Sn
6 001 29 41 (SWS)	Female	> 1.00	2.50	3.00	CuSn/CrNi	Sn
6 001 40 11	Female	0.20	0.35	1.30	CuFe/CrNi	Sn
6 001 40 31	Female	0.50	1.00	2.00	CuFe/CrNi	Sn
6 001 40 41	Female	> 1.00	2.50	3.00	CuFe/CrNi	Sn
6 011 06 11	Male	0.20	0.35	1.30	CuFe/CrNi	Sn
6 011 06 31	Male	0.50	1.00	2.00	CuFe/CrNi	Sn
6 011 06 41	Male	> 1.00	2.50	3.00	CuFe/CrNi	Sn

SWS: Single Wire Seal

DCS-2

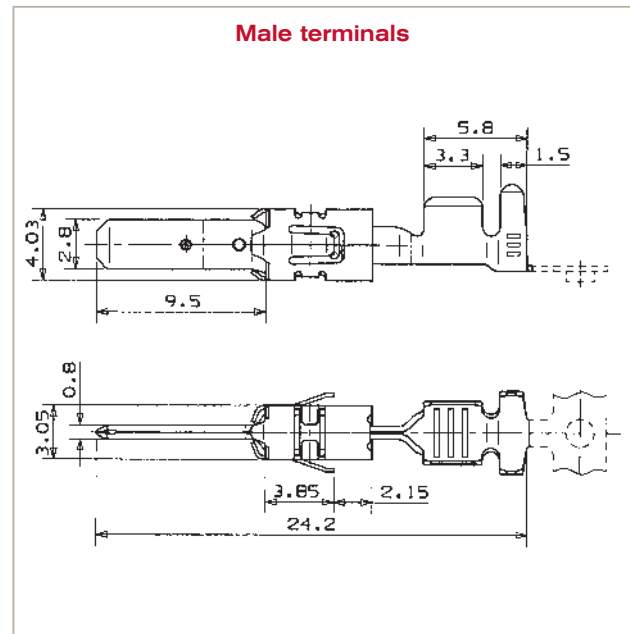
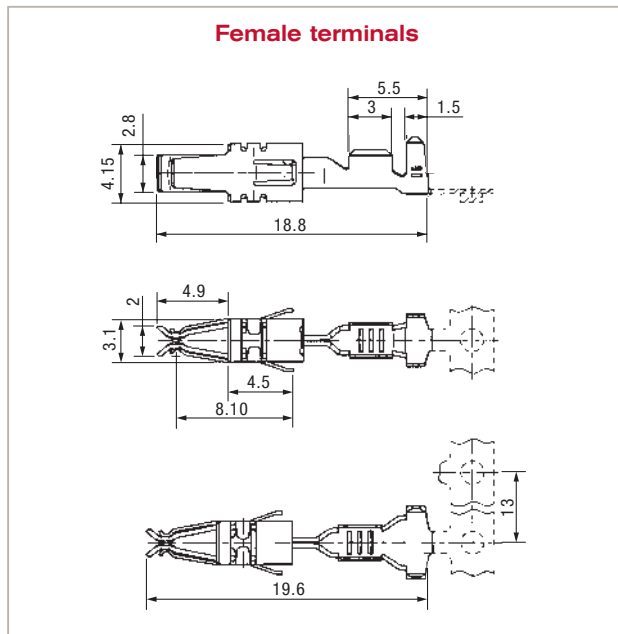


2.8 mm female and male terminals

Part Numbers	Type	Wire size range (in mm ²)		Insulation Ø (in mm)	Material	Plating
		Min.	Max.	Max.		
6 011 06 14	Male	0.20	0.35	1.30	CuSn/CrNi	Au
6 011 06 34	Male	0.50	1.00	2.00	CuSn/CrNi	Au
6 011 06 44	Male	> 1.00	2.50	3.00	CuSn/CrNi	Au
6 011 07 11 (SWS)	Male	0.20	0.35	1.30	CuFe/CrNi	Sn
6 011 07 31 (SWS)	Male	0.50	1.00	2.00	CuFe/CrNi	Sn
6 011 07 41 (SWS)	Male	> 1.00	2.50	3.00	CuFe/CrNi	Sn
6 011 07 14 (SWS)	Male	0.20	0.35	1.30	CuSn/CrNi	Au
6 011 07 34 (SWS)	Male	0.50	1.00	2.00	CuSn/CrNi	Au
6 011 07 44 (SWS)	Male	> 1.00	2.50	3.00	CuSn/CrNi	Au

SWS: Single Wire Seal

Dimensional characteristics



Direct Links ...

- Cross Reference
- RoHS/LF P/N search
- Document & Drawing search
- Application tooling

Services ...

- Contact us
- Distributor list
- Pricing request
- Order samples

Literature ...

- Brochures & catalogs
- Product documentation
- Technical library

Start > Search=60011741* > **60011741**

60011741



60011741

DCS-2 female 2.8 mm terminal

ACTIVE

[Customer Drawing](#)

Automotive division

[Assistant](#) [Add to Favorites](#)

[Email Datasheet](#) [Print Datasheet](#)

FCI Brings You More

- [Contact our sales/technical support](#)
- [Sample request](#)
- [Price request](#)

Mating Half

[60110341](#)

Specifications

General Dimensional Electrical Mechanical Physical Environmental **Other Features**

General

Product Type	Terminal System
Terminal size (in mm)	2.8
Family	DCS-2
Features	Long Auxiliary Steel Spring in CrNi

	Suitable for Secondary Lock
Dimensional	
Contact Pitch	5 mm
Electrical	
Current Carrying Capacity at 23°C	33A
Current Carrying Capacity at 85°C	22A
Current Carrying Capacity at 100°C	17A
Maximum Insulation (in mm)	3
Resistance (Contact)	< 2
Mechanical	
Range of Wire Gauge Min - Max	> 1 - 2.5 mm ²
Contact mating force	< 9N
Single Wire Seal Compatible	No
Contact unmating force	< 5N
Physical	
Plating	Sn
Material	CuSn/CrNi
Environmental	
IMDS	No
Other Features	
Type	Female
Crimping Tool	65200402
Tradename	DCS
Disclaimer	Displayed data is for information purposes only. For more information, please contact your local sales office. The supply of some products might be limited to some customers.