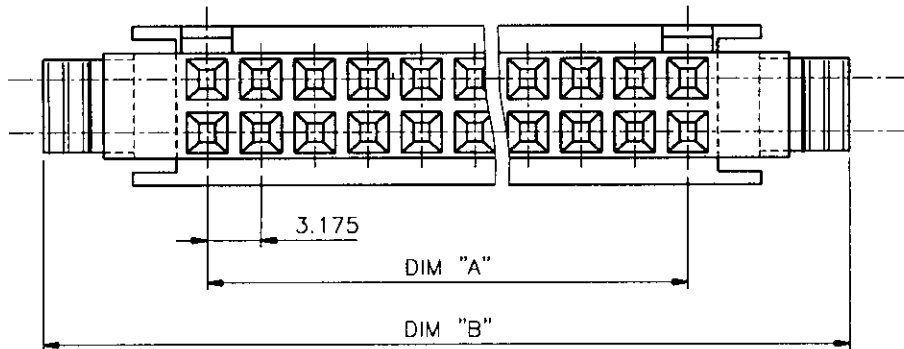
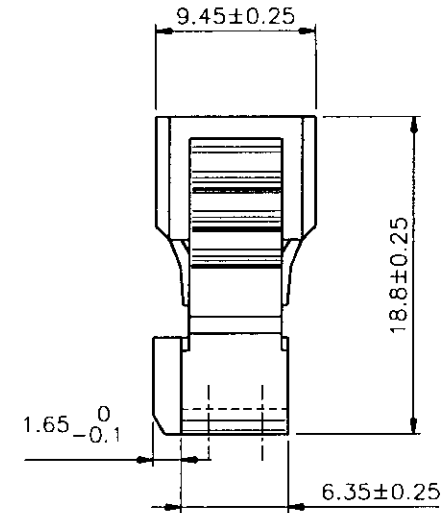
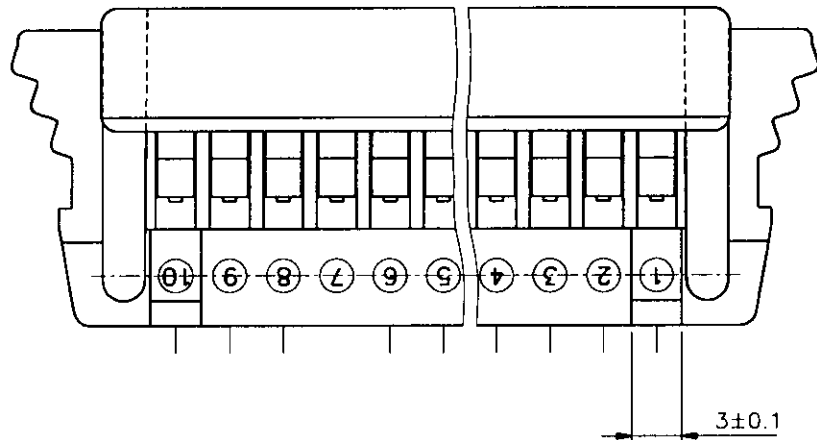


PRODUCT NUMBER	NB OF POS	DIM "A"	DIM "B"	POLARIZED POSITIONS	
65258-001	2 x 06	15.87	34.87	1	6
65258-002	2 x 07	19.05	38.05	1	7
65258-003	2 x 10	28.57	47.57	1	10
65258-004	2 x 12	34.92	53.92	1	12
65258-005	2 x 04	9.52	28.52	1	4



NOTES:

- 1 - PLASTIC MATERIAL: POLYAMID 25% GLASSFILLED , COLOR BLACK FLAME RETARDANT PER UL 94-V0.
- 2 - THIS HOUSING TO BE USED IN COMBINATION WITH BERG MAXI PV TERMINAL ACCORDING TO CRIMPING METHODS DESCRIBED ON DWG 65258 215 SHEET 1/1.
- 3 - THIS CONNECTOR TO BE MATE WITH BERG HEADER 76427-YXX OR 77432-YXX

mal'l. code SEE NOTE 1				tolerances unless otherwise specified		CUSTOMER COPY		<b>BERG</b> ELECTRONICS		
lfr	ecn no	dr	date	linear	angles	projection 	title POLARIZED MAXI LATCH HOUSING			
D	BNL5909	AOO	84.12.03				product family BERGCON		code 213	
E	F60696	JMC	96.10.04				size A3		sheet 1 of 1	
				dr	COMPAGNON	J	96.02.08	scale 3:1		
				engr	JMC		96.02.08	dwg no 65258		
				chr				sheet index		
				appd	JMC		96.02.08	revision E		
								sheet 1		