

638229-7 ✓ ACTIVE

Multilock Connector System

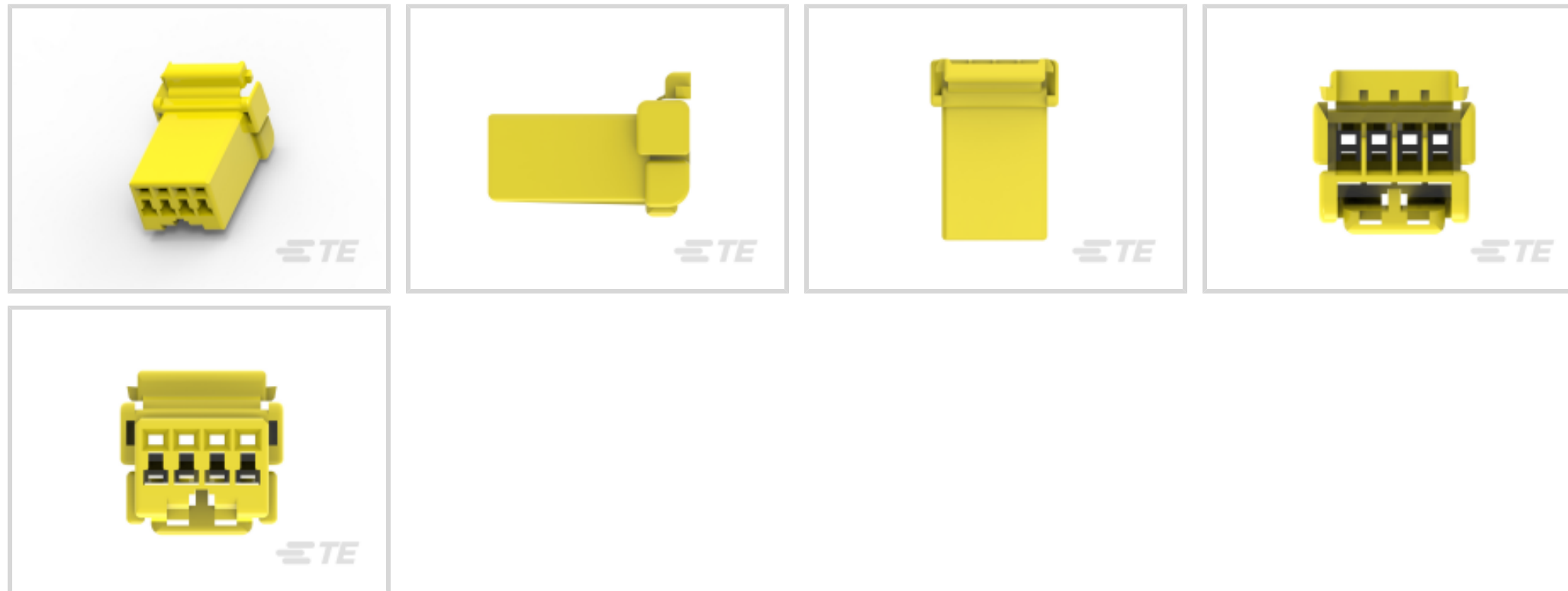
TE Internal #: 638229-7

Housing for Female Terminals, Wire-to-Wire, 4 Position, .098 in [2.5 mm] Centerline, Yellow, Signal, Multilock Connector System

[View on TE.com >](#)



Connectors > Automotive Connectors > Connector Housings > MULTILOCK, CONNECTOR HOUSING



Connector & Housing Type: **Housing for Female Terminals**

Mating Tab Width: **1 mm [.04 in]**

Connector System: **Wire-to-Wire**

Number of Positions: **4**

Centerline (Pitch): **2.5 mm [.098 in]**

[All MULTILOCK, CONNECTOR HOUSING \(576\)](#)

Features

Product Type Features

Connector & Housing Shape	Rectangular
Connector & Housing Type	Housing for Female Terminals
Connector System	Wire-to-Wire
Sealable	No
Hybrid Connector	No
Primary Locking Feature	Integrated in Housing

Configuration Features

Number of Positions	4
Number of Rows	1

Body Features

Cable Exit Angle	180°
Body Material	PBT
Primary Product Color	Yellow



Contact Features

Contact Size	1mm
Contact Type	Receptacle
Mating Tab Width	1 mm[.04 in]

Mechanical Attachment

Mounting Feature	Without
Terminal Position Assurance	No
Strain Relief	Without
Mating Alignment Type	Polarization Slot
Mating Alignment	With
Connector Mounting Type	Cable Mount (Free-Hanging)

Housing Features

Centerline (Pitch)	2.5 mm[.098 in]
--------------------	-----------------

Dimensions

Product Width	18.7 mm[.736 in]
Product Length	13.3 mm[.523 in]
Product Height	13.4 mm[.527 in]

Operation/Application

Circuit Application	Signal
---------------------	--------

Packaging Features

Packaging Quantity	1
Packaging Method	Package

Other

Serviceable	No
Connector Position Assurance Capable	No

Product Compliance

[For compliance documentation, visit the product page on TE.com>](#)

EU RoHS Directive 2011/65/EU	Compliant
EU ELV Directive 2000/53/EC	Compliant
China RoHS 2 Directive MIIT Order No 32, 2016	No Restricted Materials Above Threshold
EU REACH Regulation (EC) No. 1907/2006	

Current ECHA Candidate List: JUNE 2022
(224)

Candidate List Declared Against: JUNE
2022 (224)

Does not contain REACH SVHC

Halogen Content

Low Halogen - Br, Cl, F, I < 900 ppm per
homogenous material. Also BFR/CFR/PVC
Free

Solder Process Capability

Not reviewed for solder process capability

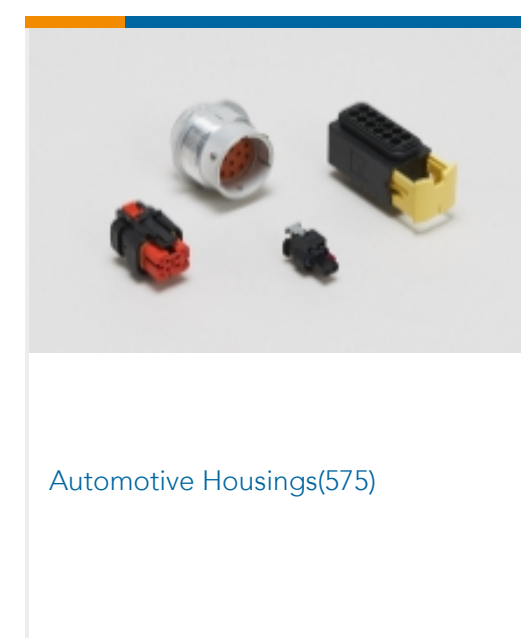
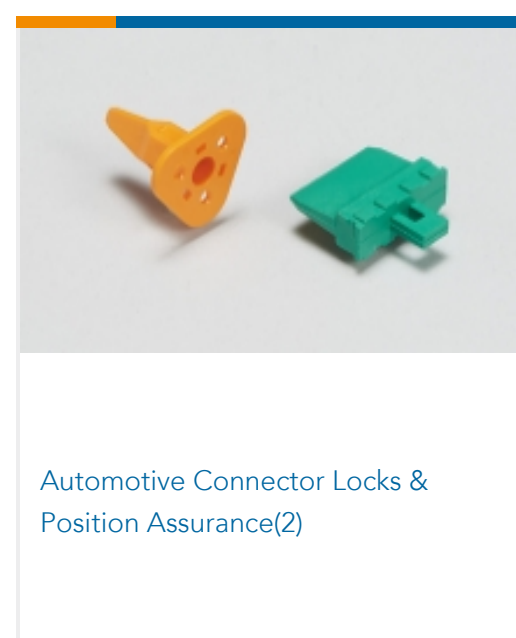
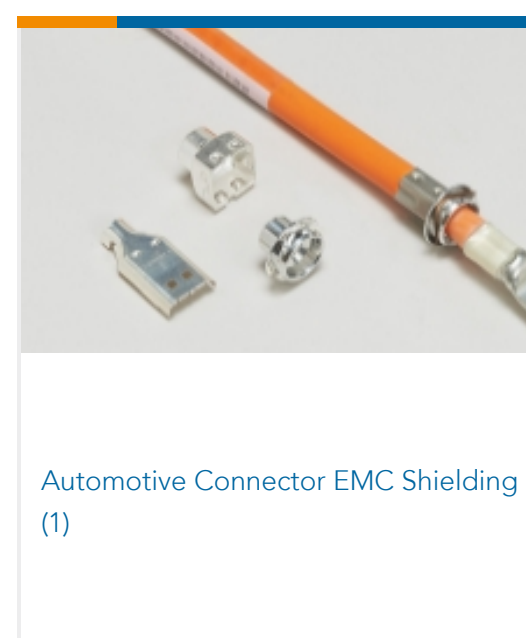
Product Compliance Disclaimer

This information is provided based on reasonable inquiry of our suppliers and represents our current actual knowledge based on the information they provided. This information is subject to change. The part numbers that TE has identified as EU RoHS compliant have a maximum concentration of 0.1% by weight in homogenous materials for lead, hexavalent chromium, mercury, PBB, PBDE, DBP, BBP, DEHP, DIBP, and 0.01% for cadmium, or qualify for an exemption to these limits as defined in the Annexes of Directive 2011/65/EU (RoHS2). Finished electrical and electronic equipment products will be CE marked as required by Directive 2011/65/EU. Components may not be CE marked. Additionally, the part numbers that TE has identified as EU ELV compliant have a maximum concentration of 0.1% by weight in homogenous materials for lead, hexavalent chromium, and mercury, and 0.01% for cadmium, or qualify for an exemption to these limits as defined in the Annexes of Directive 2000/53/EC (ELV). Regarding the REACH Regulation, the information TE provides on SVHC in articles for this part number is based on the latest European Chemicals Agency (ECHA) 'Guidance on requirements for substances in articles' posted at this URL: <https://echa.europa.eu/guidance-documents/guidance-on-reach>

Compatible Parts



Also in the Series | Multilock Connector System





Automotive Seals & Cavity Plugs(2)



Automotive Terminals(140)



Insertion & Extraction Tools(6)

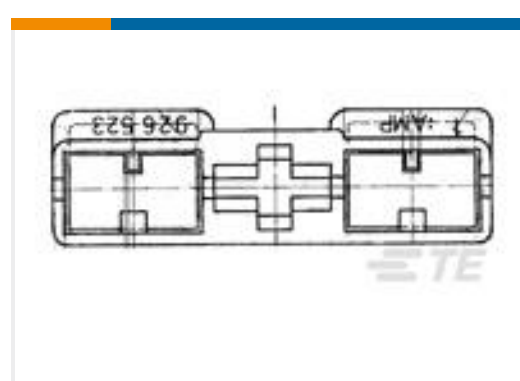
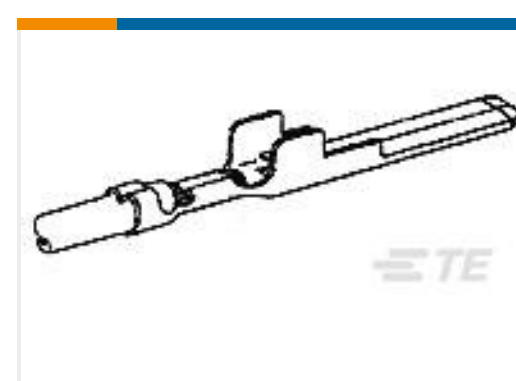


Other Automotive Connector Accessories(9)



PCB Headers & Receptacles(129)

Customers Also Bought

TE Part #1-640251-7
17P SL156 HSG W/O LCK RAMPTE Part #1-173631-2
070 MLC REC CONT 20-16 GOLDTE Part #1-2103124-5
HEADER ASSY, Ag SHIELD, KEY E, HVA280-2PTE Part #174928-7
MULTILOCK, CONNECTOR HOUSINGTE Part #1743426-1
2.8MM MCP-E NSLD TAB(LL) CONTTE Part #926523-1
3P.POS.LOCK HSGTE Part #172128-2
FF 250 REC HSG 1P NYLON BLCAKTE Part #170308-3
TAB WITH LANCE FOR M.I.C.

Documents

Product Drawings

4 POS 040 MULTILOCK PLUG

English

CAD Files

3D PDF

3D

Customer View Model

ENG_CVM_CVM_638229-7_C.2d_dxf.zip



English

Customer View Model

[ENG_CVM_CVM_638229-7_C.3d_igs.zip](#)

English

Customer View Model

[ENG_CVM_CVM_638229-7_C.3d_stp.zip](#)

English

By downloading the CAD file I accept and agree to the [Terms and Conditions](#) of use.

Datasheets & Catalog Pages

MULTILOCK Connector System

English