

66107-3 ✓ ACTIVE

AMP | AMP Type III+

TE Internal #: 66107-3

Power Contacts, Contact, Gold, 26 – 24 AWG Wire Size, .12 – .2 mm² Wire Size, Wire & Cable, Crimp, Power & Signal, Pin, AMP Type III+

[View on TE.com >](#)



Connectors > Power Connectors > Power Contacts > TYPE III CONTACTS LP



Power Contact Type: **Contact**

Contact Mating Area Plating Material: **Gold**

Wire Size: **.12 – .2 mm²**

Connector & Contact Terminates To: **Wire & Cable**

[All TYPE III CONTACTS LP \(53\)](#)

Features

Product Type Features

Power Contact Type	Contact
Connector & Contact Terminates To	Wire & Cable

Electrical Characteristics

Test Current	13 A
--------------	------

Contact Features

Contact Mating Area Plating Material	Gold
Contact Current Rating (Max)	13 A
Contact Type	Pin
Contact Retention Within Housing	With
Mating Pin Diameter	1.57 mm[.062 in]
Contact Base Material	Brass
Contact Mating Area Plating Material Thickness	.38 μm[15 μin]
Contact Mating Area Plating Material Finish	Bright
Wire Contact Termination Area Plating Thickness	1.27 μm[50 μin]
Wire Contact Termination Area Plating Material	Tin
Wire Contact Termination Area Plating Material Finish	Matte
Contact Orientation	Straight
Contact Underplating Material	Nickel



Contact Underplating Material Thickness	1.27 μm[50 μin]
---	-----------------

Contact Size	16
--------------	----

Termination Features

Termination Method to Wire & Cable	Crimp
------------------------------------	-------

Mechanical Attachment

Wire Insulation Support	With
-------------------------	------

Dimensions

Wire Size	.12 – .2 mm ²
-----------	--------------------------

Accepts Wire Insulation Diameter Range	.89 – 1.4 mm[.035 – .055 in]
--	------------------------------

Usage Conditions

Operating Temperature Range	-55 – 150 °C[-67 – 302 °F]
-----------------------------	----------------------------

Operation/Application

Circuit Application	Power & Signal
---------------------	----------------

Industry Standards

Agency/Standard	CSA, UL
-----------------	---------

UL File Number	E28476
----------------	--------

Packaging Features

Packaging Method	Carton, Loose Piece
------------------	---------------------

Packaging Quantity	1000
--------------------	------

Other

Wire/Cable Type	Discrete Wire
-----------------	---------------

For Use With	CPC Connectors, G Series Connectors, M Series Connectors
--------------	--

Product Compliance

[For compliance documentation, visit the product page on TE.com>](#)

EU RoHS Directive 2011/65/EU	Compliant
------------------------------	-----------

EU ELV Directive 2000/53/EC	Compliant
-----------------------------	-----------

China RoHS 2 Directive MIIT Order No 32, 2016	No Restricted Materials Above Threshold
---	---

EU REACH Regulation (EC) No. 1907/2006	Current ECHA Candidate List: JUNE 2022 (224) Candidate List Declared Against: JUNE 2022 (224)
--	--



Does not contain REACH SVHC

Halogen Content

Low Halogen - Br, Cl, F, I < 900 ppm per homogenous material. Also BFR/CFR/PVC Free

Solder Process Capability

Not applicable for solder process capability

Product Compliance Disclaimer

This information is provided based on reasonable inquiry of our suppliers and represents our current actual knowledge based on the information they provided. This information is subject to change. The part numbers that TE has identified as EU RoHS compliant have a maximum concentration of 0.1% by weight in homogenous materials for lead, hexavalent chromium, mercury, PBB, PBDE, DBP, BBP, DEHP, DIBP, and 0.01% for cadmium, or qualify for an exemption to these limits as defined in the Annexes of Directive 2011/65/EU (RoHS2). Finished electrical and electronic equipment products will be CE marked as required by Directive 2011/65/EU. Components may not be CE marked. Additionally, the part numbers that TE has identified as EU ELV compliant have a maximum concentration of 0.1% by weight in homogenous materials for lead, hexavalent chromium, and mercury, and 0.01% for cadmium, or qualify for an exemption to these limits as defined in the Annexes of Directive 2000/53/EC (ELV). Regarding the REACH Regulation, the information TE provides on SVHC in articles for this part number is based on the latest European Chemicals Agency (ECHA) 'Guidance on requirements for substances in articles' posted at this URL: <https://echa.europa.eu/guidance-documents/guidance-on-reach>

Compatible Parts

TE Part # CAT-AM71-C83998C
CMC SERIES 1

TE Part # CAT-AM71-C83998Y
CPC SERIES 1 SEALED ONE-PIECE

TE Part # CAT-AM71-C83998J
CPC SERIES 1

TE Part # CAT-AM71-C83998K
CPC SERIES 6

TE Part # 91515-1
CCII TYPE III+ MNL PIN SKT 30-20 ASSY

TE Part # 58495-2
PROCRIMPER DIE ASSY MULTIMATE

TE Part # 200893-2
INSERTION TOOL CONT

TE Part # 58495-1
PRO CRIMPER ASSY MULTIMATE

TE Part # 539972-1
EXTRACTION TOOL

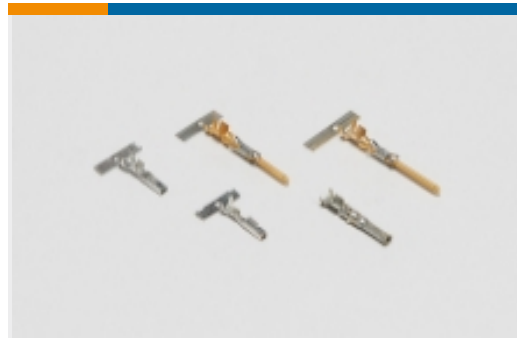
TE Part # 305183
EXTRACT TOOL TYPE 2 20-16

TE Part # 1-305183-1
EXTRACT TOOL MATE-N-LOK P

Also in the Series | AMP Type III+

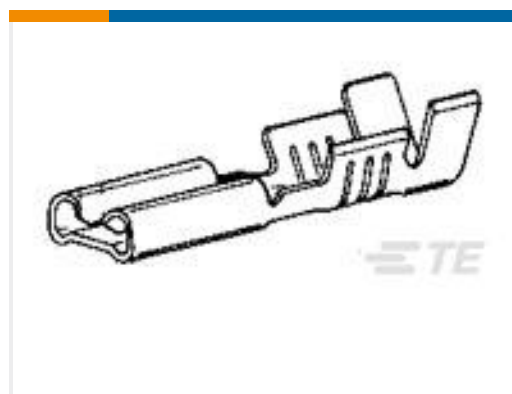
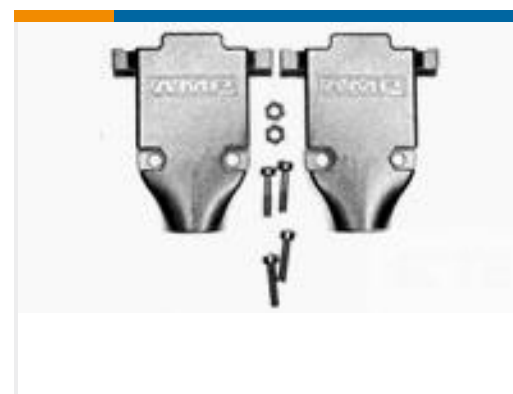
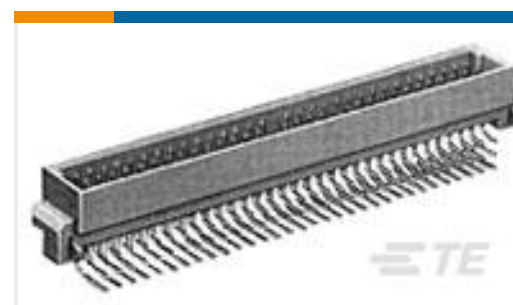
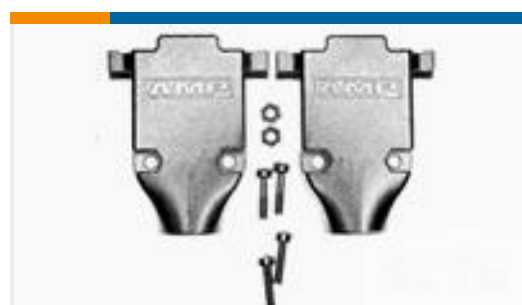


Insertion & Extraction Tools(4)



Power Contacts(414)

Customers Also Bought

TE Part #66099-3
TYPE III CONTACTS LPTE Part #6609021-9
10VB1=F7128 S0TE Part #160597-4
110 FASTON,REC.,30-26 AWG,TPBRTE Part #5747099-5
CABLE CLAMP KIT,SZ 2TE Part #3-641653-8
08P MTA100 CONN ASSY F/T REDTE Part #66259-2
MALE CONTACT ASSY. (L.P.)TE Part #66741-6
TYPE XII FEMALE CONT (L.P.)TE Part #5650916-5
ASSY,PIN,EUROCARD,TYPE C/2,LEATE Part #5745833-7
CABLE CLAMP KIT,SZ 3

Documents

Product Drawings

III+ PIN,26-24,15AU/FL,LP

English

CAD Files

Customer View Model

ENG_CVM_CVM_66107-3_AC.2d_dxf.zip



English

[3D PDF](#)

3D

Customer View Model

[ENG_CVM_CVM_66107-3_AC.3d_igs.zip](#)

English

Customer View Model

[ENG_CVM_CVM_66107-3_AC.3d_stp.zip](#)

English

By downloading the CAD file I accept and agree to the [Terms and Conditions](#) of use.

Datasheets & Catalog Pages

[AMP Circular Connectors for Commercial Signal & Power Applications](#)

English

[Signal Contacts](#)

English

[M_SERIES_PIN_AND_SOCKET_CONNECTORS](#)

English

Product Specifications

[Application Specification](#)

English

Instruction Sheets

[Instruction Sheet \(U.S.\)](#)

Japanese

[Instruction Sheet \(U.S.\)](#)

English