

62009-1 ✓ ACTIVE

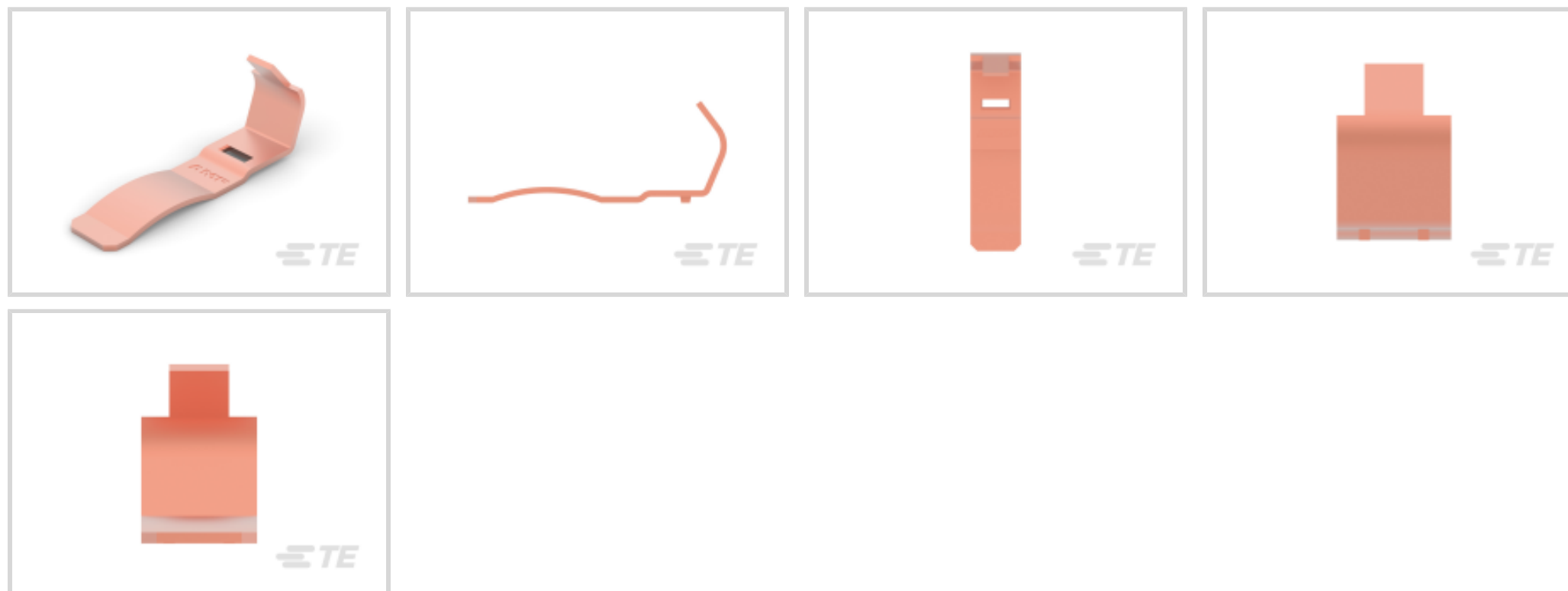
TE Internal #: 62009-1

Special Purpose Terminals, Brush, 20 – 14 AWG Wire Size, .5 – 2 mm² Wire Size, Unplated Plating, Length 15.75 mm [.62 in], Reel, Flag, Uninsulated

[View on TE.com >](#)



Terminals & Splices > Special Purpose Terminals



Special Purpose Terminal Type: **Brush**

Heavy Duty: **No**

Wire Size: **.5 – 2 mm²**

Terminal Material Thickness: **.46 mm [.018 in]**

Features

Product Type Features

Wire/Cable Type	Discrete Wire
Wire Insulation Support Retention Type	Non-Insulation Support
Sealable	No

Contact Features

Special Purpose Terminal Type	Brush
Terminal Plating Material	Unplated
Terminal Orientation	Flag

Mechanical Attachment

Wire Insulation Support	Without
-------------------------	---------

Dimensions

Wire Size	.5 – 2 mm ²
Terminal Material Thickness	.46 mm [.018 in]
Overall Product Length	15.75 mm [.62 in]

Usage Conditions

Insulation Option	Uninsulated
-------------------	-------------



Operation/Application

Heavy Duty	No
------------	----

Packaging Features

Packaging Quantity	6000
Packaging Method	Reel

Other

Comment	Tab lock. Left hand.
---------	----------------------

Product Compliance

[For compliance documentation, visit the product page on TE.com>](#)

EU RoHS Directive 2011/65/EU	Compliant
EU ELV Directive 2000/53/EC	Compliant
China RoHS 2 Directive MIIT Order No 32, 2016	No Restricted Materials Above Threshold
EU REACH Regulation (EC) No. 1907/2006	Current ECHA Candidate List: JUNE 2022 (224) Candidate List Declared Against: JAN 2022 (223) SVHC > Threshold: Not Yet Reviewed
Halogen Content	Low Halogen - Br, Cl, F, I < 900 ppm per homogenous material. Also BFR/CFR/PVC Free
Solder Process Capability	Not applicable for solder process capability

Product Compliance Disclaimer

This information is provided based on reasonable inquiry of our suppliers and represents our current actual knowledge based on the information they provided. This information is subject to change. The part numbers that TE has identified as EU RoHS compliant have a maximum concentration of 0.1% by weight in homogenous materials for lead, hexavalent chromium, mercury, PBB, PBDE, DBP, BBP, DEHP, DIBP, and 0.01% for cadmium, or qualify for an exemption to these limits as defined in the Annexes of Directive 2011/65/EU (RoHS2). Finished electrical and electronic equipment products will be CE marked as required by Directive 2011/65/EU. Components may not be CE marked. Additionally, the part numbers that TE has identified as EU ELV compliant have a maximum concentration of 0.1% by weight in homogenous materials for lead, hexavalent chromium, and mercury, and 0.01% for cadmium, or qualify for an exemption to these limits as defined in the Annexes of Directive 2000/53/EC (ELV). Regarding the REACH Regulation, the information TE provides on SVHC in articles for this part number is based on the latest European Chemicals Agency (ECHA) 'Guidance on requirements for substances in articles' posted at this URL: <https://echa.europa.eu/guidance-documents/guidance-on-reach>

Compatible Parts




TE Part # 60812-1
BRUSH CONTACT 18-14 AWG PHBZ



TE Part # 62827-1
WELD TAB 24-22 AWG SST



TE Part # 63701-1
WELD TAB 20-16 AWG NPSTL



TE Part # 62008-1
BRUSH CONTACT TAB 20-14 AWG PHBZ



TE Part # 1-150504-2
BUTTON CONTACT 20-16 .0158 X .625 TPBR



TE Part # 170071-2
BUTTON CONTACT 20-16 AWG .040X19.94 TPBR



TE Part # 170023-1
BUTTON CONTACT



TE Part # 40662
BUTT CONT 20-16 .020BR



TE Part # 61390-1
BRUSH CONT 18-14 110-160 016BR



TE Part # 62153-1
WELD TAB 20-16 AWG TPSTL



TE Part # 63020-1
BRUSH TERMINAL 24-20 AWG BR



TE Part # 680881-1
HINGE BAR 9EAPR140 TL TG



TE Part # 680881-2
HINGE BAR 9EAPR140TL K

Customers Also Bought



TE Part #206060-1
CPC PLUG ASSEMBLY SIZE 11-4



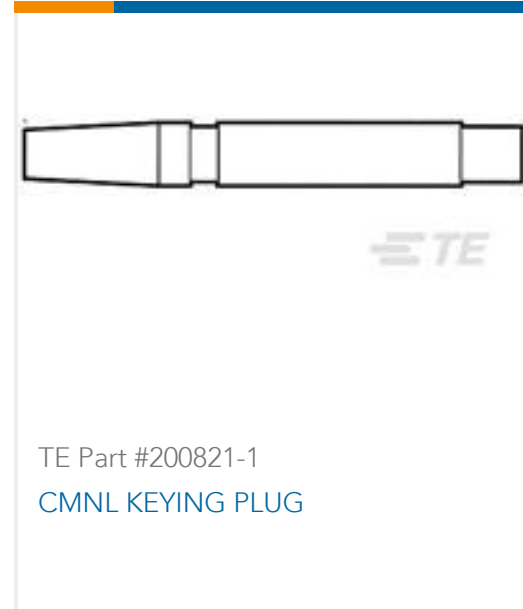
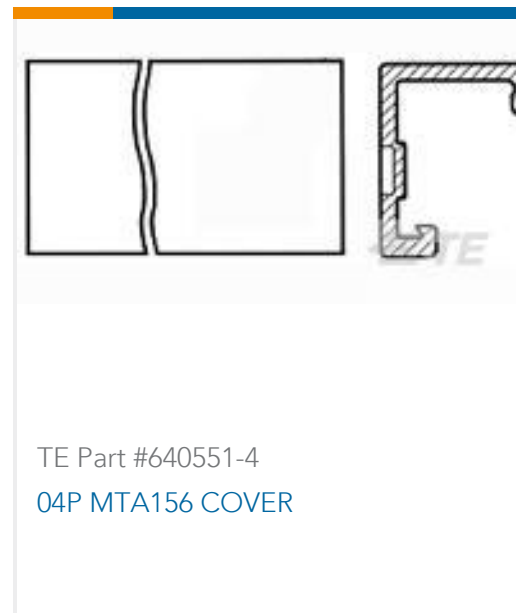
TE Part #66566-4
III+ PIN,24-20,30AU/FL,LP



TE Part #1318912-1
EP CONN LP REC



TE Part #3-640427-4
04P MTA156 CONN ASSY 20AWG YEL



Documents

Product Drawings

BRUSH CONTACT TAB 20-14 AWG PHBZ

English

CAD Files

3D PDF

3D

Customer View Model

[ENG_CVM_CVM_62009-1_W.2d_dxf.zip](#)

English

Customer View Model

[ENG_CVM_CVM_62009-1_W.3d_igs.zip](#)

English

Customer View Model

[ENG_CVM_CVM_62009-1_W.3d_stp.zip](#)

English

By downloading the CAD file I accept and agree to the [Terms and Conditions](#) of use.

Product Specifications

Application Specification

German