



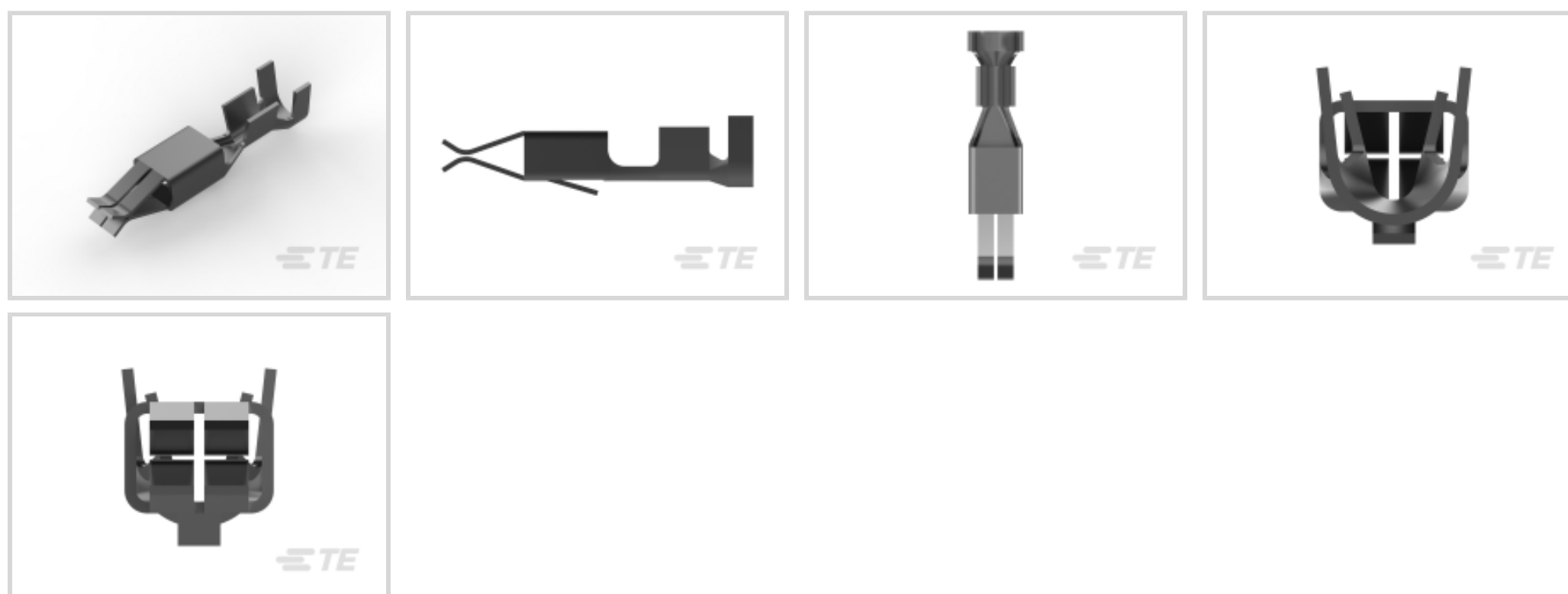
TE Internal #: 643222-2

Pin Sockets, Socket Length .74 in [18.8 mm], None, .518 – 1.31 mm²

Wire Size, 20 – 16 AWG Wire Size, Crimp, Cable-to-Cable, Wire & Cable

[View on TE.com >](#)

Connectors > Socket Connectors > Pin Sockets



Socket Length: 18.8 mm [.74 in]

Solder Process Feature: **None**

Wire Size: .518 – 1.31 mm²

Termination Method to Wire & Cable: **Crimp**

Features

Product Type Features

Connector System	Cable-to-Cable
Sealable	No
Connector & Contact Terminates To	Wire & Cable

Termination Features

Termination Method to Wire & Cable	Crimp
------------------------------------	-------

Dimensions

Socket Length	18.8 mm [.74 in]
Wire Size	.518 – 1.31 mm ²

Operation/Application

Solder Process Feature	None
Circuit Application	Power & Signal

Product Compliance

[For compliance documentation, visit the product page on TE.com>](#)

EU RoHS Directive 2011/65/EU	Compliant
------------------------------	-----------



EU ELV Directive 2000/53/EC	Compliant
China RoHS 2 Directive MIIT Order No 32, 2016	No Restricted Materials Above Threshold
EU REACH Regulation (EC) No. 1907/2006	Current ECHA Candidate List: JUNE 2022 (224) Candidate List Declared Against: JAN 2022 (223) SVHC > Threshold: Not Yet Reviewed
Halogen Content	Low Halogen - Br, Cl, F, I < 900 ppm per homogenous material. Also BFR/CFR/PVC Free
Solder Process Capability	Not applicable for solder process capability

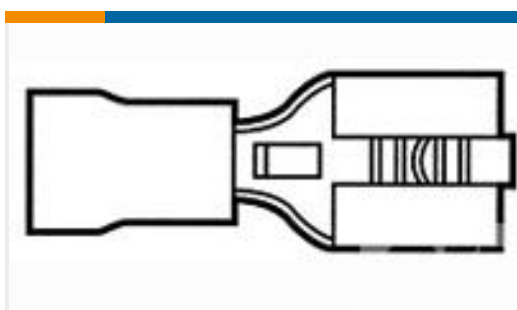
Product Compliance Disclaimer

This information is provided based on reasonable inquiry of our suppliers and represents our current actual knowledge based on the information they provided. This information is subject to change. The part numbers that TE has identified as EU RoHS compliant have a maximum concentration of 0.1% by weight in homogenous materials for lead, hexavalent chromium, mercury, PBB, PBDE, DBP, BBP, DEHP, DIBP, and 0.01% for cadmium, or qualify for an exemption to these limits as defined in the Annexes of Directive 2011/65/EU (RoHS2). Finished electrical and electronic equipment products will be CE marked as required by Directive 2011/65/EU. Components may not be CE marked. Additionally, the part numbers that TE has identified as EU ELV compliant have a maximum concentration of 0.1% by weight in homogenous materials for lead, hexavalent chromium, and mercury, and 0.01% for cadmium, or qualify for an exemption to these limits as defined in the Annexes of Directive 2000/53/EC (ELV). Regarding the REACH Regulation, the information TE provides on SVHC in articles for this part number is based on the latest European Chemicals Agency (ECHA) 'Guidance on requirements for substances in articles' posted at this URL: <https://echa.europa.eu/guidance-documents/guidance-on-reach>

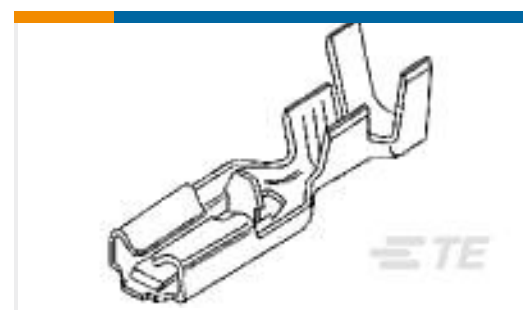
Compatible Parts

 <p>TE Part # 2305570-1 TERMINAL CUTTER, SIDE FEED</p>	 <p>TE Part # 2-2836195-1 OCEAN-2.0-APPLICATOR-S-090F130F</p>	 <p>TE Part # 2-2836195-2 OCEAN-2.0-APPLICATOR-S-090F130FA</p>	 <p>TE Part # 2836195-1 OCEAN-2.0-APPLICATOR-S-090F130F</p>
 <p>TE Part # 2836195-2 OCEAN-2.0-APPLICATOR-S-090F130FA</p>	 <p>TE Part # 7-2836195-1 OCEAN-2.0-APPLICATOR-S-090F130F</p>	 <p>TE Part # 7-2836195-2 OCEAN-2.0-APPLICATOR-S-090F130FA</p>	 <p>TE Part # 7-2836195-7 OCEAN_2.0_SPARE_PART_KIT-090F130F</p>

Customers Also Bought



TE Part #42844-3
RECEPT, PIDG FASTON 14-12 250



TE Part #63239-1
POSITIVE LOCK 250 REC 12-10 AWG
TPBR



TE Part #185879-1
26W MQS COVER ASSY YELLOW



TE Part #61795-6
RING 18-14 AWG TPBR



TE Part #626897-1
CHRISTMAS TREE



TE Part #DT06-12SC-B016
DEUTSCH DT Series Housings &
Connectors



TE Part #185875-1
26POS MQS REC



TE Part #2-32960-1
TERMINAL, PG R 16-14 10



TE Part #278414-000
RT-3-NO.2-0-COIL

Documents

Product Drawings

[MINI-SPRING RECEPTACLE 20-16 AWG PTPPHBZ](#)

English

CAD Files

[3D PDF](#)

3D

Customer View Model

[ENG_CVM_CVM_643222-2_P.2d_dxf.zip](#)

English

Customer View Model

[ENG_CVM_CVM_643222-2_P.3d_igs.zip](#)

English

Customer View Model

[ENG_CVM_CVM_643222-2_P.3d_stp.zip](#)

English

By downloading the CAD file I accept and agree to the [Terms and Conditions](#) of use.

Product Specifications



EBGeneral Application Specification for Open Barrel Terminals**

English

Application Specification

English

Product Environmental Compliance

[MD_643222-2_05152018324_dmtec](#)

English

[MD_643222-2_05152018324_dmtec](#)

English

Instruction Sheets

[Instruction Sheet \(U.S.\)](#)

English