

66104-9 ✓ ACTIVE

AMP | AMP Type III+

TE Internal #: 66104-9

Power Contacts, Contact, Gold, 24 – 20 AWG Wire Size, .2 – .6 mm² Wire Size, Wire & Cable, Crimp, Power & Signal, Socket, AMP Type III+

[View on TE.com >](#)



Connectors > Power Connectors > Power Contacts > TYPE III CONTACTS STRIP



Power Contact Type: **Contact**

Contact Mating Area Plating Material: **Gold**

Wire Size: **.2 – .6 mm²**

Connector & Contact Terminates To: **Wire & Cable**

[All TYPE III CONTACTS STRIP \(55\)](#)

Features

Product Type Features

Power Contact Type	Contact
Connector & Contact Terminates To	Wire & Cable

Electrical Characteristics

Test Current	13 A
--------------	------

Contact Features

Contact Mating Area Plating Material	Gold
Contact Current Rating (Max)	13 A
Contact Type	Socket
Contact Retention Within Housing	With
Mating Pin Diameter	1.57 mm[.062 in]
Contact Base Material	Brass
Contact Mating Area Plating Material Thickness	.76 μm[30 μin]
Wire Contact Termination Area Plating Thickness	1.27 μm[50 μin]



Wire Contact Termination Area Plating Material	Tin
Wire Contact Termination Area Plating Material Finish	Matte
Contact Orientation	Straight
Contact Underplating Material	Nickel
Contact Underplating Material Thickness	.76 μm[30 μin]
Contact Size	16

Termination Features

Termination Method to Wire & Cable	Crimp
------------------------------------	-------

Mechanical Attachment

Wire Insulation Support	With
-------------------------	------

Dimensions

Wire Size	.2 – .6 mm ²
Accepts Wire Insulation Diameter Range	1.02 – 2.03 mm[.04 – .08 in]

Usage Conditions

Operating Temperature Range	-55 – 150 °C[-67 – 302 °F]
-----------------------------	----------------------------

Operation/Application

Circuit Application	Power & Signal
---------------------	----------------

Packaging Features

Packaging Method	Reel
Packaging Quantity	4000

Other

Wire/Cable Type	Discrete Wire
For Use With	CPC Connectors, G Series Connectors, M Series Connectors
Comment	Overall insulation crimp diameter, including crimp barrel, must not exceed 3.18 [.125]., PRO-CRIMPER II # 58495-1 Hand Tool for field repair use only.

Product Compliance

[For compliance documentation, visit the product page on TE.com>](#)

EU RoHS Directive 2011/65/EU	Compliant
EU ELV Directive 2000/53/EC	Compliant



China RoHS 2 Directive MIIT Order No 32, 2016	No Restricted Materials Above Threshold
EU REACH Regulation (EC) No. 1907/2006	Current ECHA Candidate List: JUNE 2022 (224) Candidate List Declared Against: JAN 2022 (223) SVHC > Threshold: Not Yet Reviewed
Halogen Content	Low Halogen - Br, Cl, F, I < 900 ppm per homogenous material. Also BFR/CFR/PVC Free
Solder Process Capability	Not applicable for solder process capability

Product Compliance Disclaimer

This information is provided based on reasonable inquiry of our suppliers and represents our current actual knowledge based on the information they provided. This information is subject to change. The part numbers that TE has identified as EU RoHS compliant have a maximum concentration of 0.1% by weight in homogenous materials for lead, hexavalent chromium, mercury, PBB, PBDE, DBP, BBP, DEHP, DIBP, and 0.01% for cadmium, or qualify for an exemption to these limits as defined in the Annexes of Directive 2011/65/EU (RoHS2). Finished electrical and electronic equipment products will be CE marked as required by Directive 2011/65/EU. Components may not be CE marked. Additionally, the part numbers that TE has identified as EU ELV compliant have a maximum concentration of 0.1% by weight in homogenous materials for lead, hexavalent chromium, and mercury, and 0.01% for cadmium, or qualify for an exemption to these limits as defined in the Annexes of Directive 2000/53/EC (ELV). Regarding the REACH Regulation, the information TE provides on SVHC in articles for this part number is based on the latest European Chemicals Agency (ECHA) 'Guidance on requirements for substances in articles' posted at this URL: <https://echa.europa.eu/guidance-documents/guidance-on-reach>

Compatible Parts

TE Part # CAT-AM71-C83998C
CMC SERIES 1

TE Part # CAT-AM71-C83998Y
CPC SERIES 1 SEALED ONE-PIECE

TE Part # CAT-AM71-C83998J
CPC SERIES 1

TE Part # CAT-AM71-C83998K
CPC SERIES 6

TE Part # 58495-2
PROCRIMPER DIE ASSY MULTIMATE

TE Part # 91505-1
CCII TYPE III+ 24-16 ASSY

TE Part # 200893-2
INSERTION TOOL CONT

TE Part # 58495-1
PRO CRIMPER ASSY MULTIMATE




TE Part # 539972-1
EXTRACTION TOOL



TE Part # 305183
EXTRACT TOOL TYPE 2 20-16



TE Part # 2305570-1
TERMINAL CUTTER, SIDE FEED



TE Part # 2151016-2
OCEAN_2.0_APPLICATOR-S-062F090A



TE Part # 2-2151016-1
OCEAN_2.0_APPLICATOR-S-062F090O



TE Part # 2-2151016-2
OCEAN_2.0_APPLICATOR-S-062F090A



TE Part # 2151016-1
OCEAN_2.0_APPLICATOR-S-062F090O



TE Part # 5-2151016-1
OCEAN_2.0_APPLICATOR-S-062F090O



TE Part # 5-2151016-2
OCEAN_2.0_APPLICATOR-S-062F090A



TE Part # 7-2151016-1
OCEAN_2.0_APPLICATOR-S-062F090O




TE Part # 7-2151016-2
OCEAN_2.0_APPLICATOR-S-062F090A




KIT
REPRESENTATION ONLY

TE Part # 7-2151016-7
OCEAN_2.0_SPARE_PART_KIT-062F090O

Also in the Series | AMP Type III+

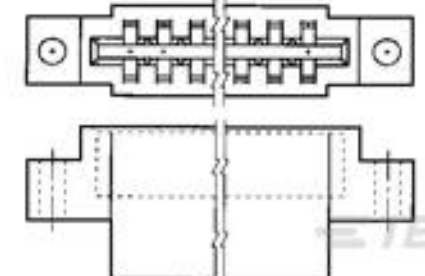


Insertion & Extraction Tools(4)



Power Contacts(414)

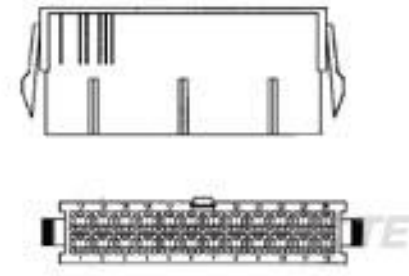
Customers Also Bought



TE Part #583859-1
HOUSING CSTL 156 C/L 28 POS



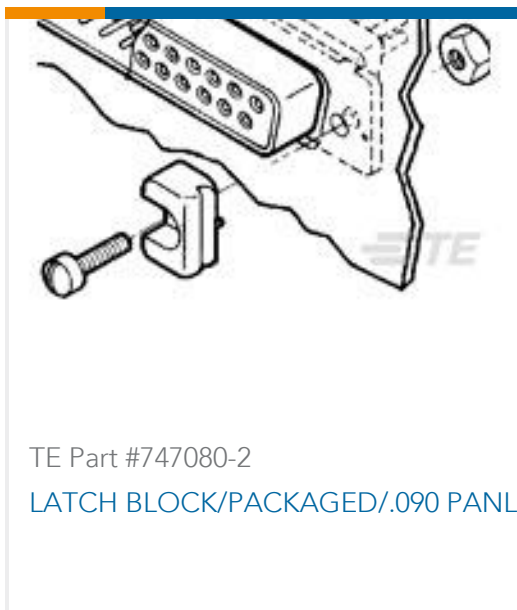
TE Part #794229-3
MINI UMNL2 SOK 22-18 AWG AU LP



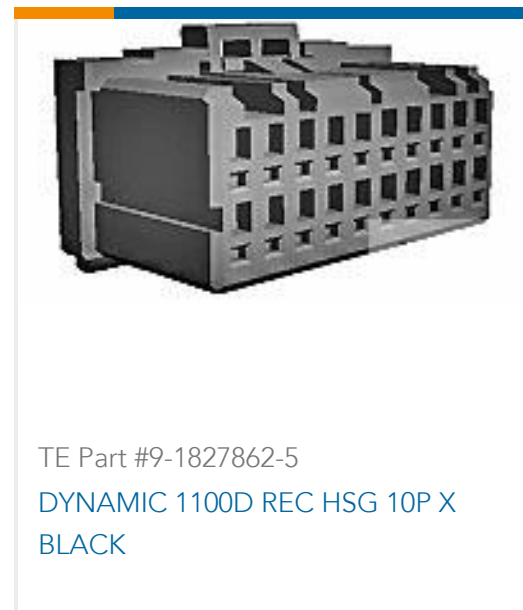
TE Part #2-794953-0
20P PM PLUG VAL-U-LOK V2



TE Part #1-201692-6
CNTR FASTENER PLUG BLOCK,104P



TE Part #747080-2
LATCH BLOCK/PACKAGED/.090 PANL



TE Part #9-1827862-5
DYNAMIC 1100D REC HSG 10P X
BLACK



TE Part #176280-9
UNIV POWER PLUG HSG 18P F/H
BLACK



TE Part #52454-1
PG SPR SPD 22-16COMM 22-18MIL8



TE Part #2035334-3
CONTACT,FEMALE0.64, 20 TO 22
AWG



TE Part #2-104257-3
24 MTE RCPT HSG SR LATCH .100

Documents

Product Drawings

[III+ SKT,24-20,30AU/FL,STRIP](#)

English

CAD Files

Customer View Model

[ENG_CVM_CVM_66104-9_BT.2d_dxf.zip](#)

English

[3D PDF](#)

3D

Customer View Model

[ENG_CVM_CVM_66104-9_BT.3d_igs.zip](#)

English

Customer View Model

[ENG_CVM_CVM_66104-9_BT.3d_stp.zip](#)

English

By downloading the CAD file I accept and agree to the [Terms and Conditions](#) of use.

Datasheets & Catalog Pages

[AMP Circular Connectors for Commercial Signal & Power Applications](#)

English

[Signal Contacts](#)

English

[M_SERIES_PIN_AND_SOCKET_CONNECTORS](#)

English

Product Specifications



Application Specification

English

Product Environmental Compliance

[MD_66104-9_05092017611_dmtec](#)

English

[MD_66104-9_05092017611_dmtec](#)

English

Instruction Sheets

[Instruction Sheet \(U.S.\)](#)

Japanese

[Instruction Sheet \(U.S.\)](#)

English