

55792-2 ✓ ACTIVE

PLASTI-GRIP

TE Internal #: 55792-2

Splices, 22 – 16 AWG Wire Size, .3 – 1.42 mm² Wire Size, Standard, 509 – 3260 CMA Wire Size, Copper, Butt Splice Splice, Serrated, PLASTI-GRIP

[View on TE.com >](#)



Terminals & Splices > Splices



Wire Size: .3 – 1.42 mm²

Sealable: No

Splice Features: **Standard**

Accepts Wire Insulation Diameter Range: 3.56 mm [.14 in]

Features

Product Type Features

Splice Accessory Type	Splice
Sealable	No
Splice Type	Butt Splice
Serrated	Yes
Compatible With Discrete Wire Type	Solid, Stranded
Wire Insulation Support Retention Type	Insulation Support

Configuration Features

Compatible With Wire & Cable Type	Discrete Wire
-----------------------------------	---------------

Body Features

Insulation Sleeve Material	Vinyl
Weight per Piece	.358 g
Plating Material	Tin
Color Features	Red Stripes
Splice Features	Standard
Primary Product Material	Copper

Contact Features

	100 µin
Contact Plating Material	Tin
Barrel Type	Closed

Mechanical Attachment

Wire Insulation Support	With
-------------------------	------

Dimensions

Wire Size	509 – 3260 CMA
Accepts Wire Insulation Diameter Range	3.56 mm[.14 in]
Overall Product Length	27.33 mm[1.076 in]

Usage Conditions

Insulation Option	Fully Insulated
Operating Temperature Range	105 °C[221 °F]

Operation/Application

Heavy Duty	No
Compatible With Wire Base Material	Copper

Industry Standards

Government Qualified Splice	No
-----------------------------	----

Packaging Features

Packaging Quantity	2500
Packaging Method	Tape Mounted

Other

Comment	Marking: Commercial 22-16- Military 22-18 in accordance with MIL-T-7928.
Military Category	No

Product Compliance

[For compliance documentation, visit the product page on TE.com>](#)

EU RoHS Directive 2011/65/EU	Compliant
EU ELV Directive 2000/53/EC	Compliant
China RoHS 2 Directive MIIT Order No 32, 2016	No Restricted Materials Above Threshold
EU REACH Regulation (EC) No. 1907/2006	



Current ECHA Candidate List: JUNE 2022 (224)

Candidate List Declared Against: JUL 2021 (219)

SVHC > Threshold:
Not Yet Reviewed

Halogen Content
Not Low Halogen - contains Br or Cl > 900 ppm.

Solder Process Capability
Not applicable for solder process capability

Product Compliance Disclaimer

This information is provided based on reasonable inquiry of our suppliers and represents our current actual knowledge based on the information they provided. This information is subject to change. The part numbers that TE has identified as EU RoHS compliant have a maximum concentration of 0.1% by weight in homogenous materials for lead, hexavalent chromium, mercury, PBB, PBDE, DBP, BBP, DEHP, DIBP, and 0.01% for cadmium, or qualify for an exemption to these limits as defined in the Annexes of Directive 2011/65/EU (RoHS2). Finished electrical and electronic equipment products will be CE marked as required by Directive 2011/65/EU. Components may not be CE marked. Additionally, the part numbers that TE has identified as EU ELV compliant have a maximum concentration of 0.1% by weight in homogenous materials for lead, hexavalent chromium, and mercury, and 0.01% for cadmium, or qualify for an exemption to these limits as defined in the Annexes of Directive 2000/53/EC (ELV). Regarding the REACH Regulation, the information TE provides on SVHC in articles for this part number is based on the latest European Chemicals Agency (ECHA) 'Guidance on requirements for substances in articles' posted at this URL: <https://echa.europa.eu/guidance-documents/guidance-on-reach>

Compatible Parts



Also in the Series | **PLASTI-GRIP**



Compression Connectors(3)



Crimp Wire Pins, Tabs & Ferrules(25)



Ring Terminals & Spade Terminals(537)

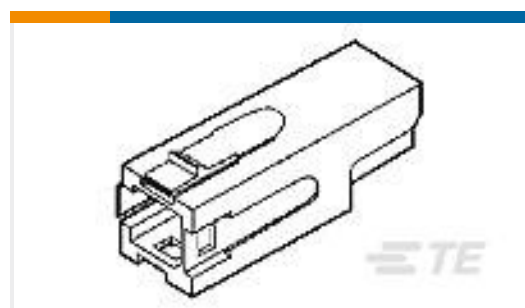


Special Purpose Terminals(1)



Splices(49)

Customers Also Bought



TE Part #53884-1
HSG ASSY, PWR LK, SRS2, 1 POS, BLU



TE Part #33458
TERMINAL, SOLIS R 12-10 1/4



TE Part #55785-1
SPLICE, BUTT P.G. 16-14 CLEAR



TE Part #2-34852-1
TERMINAL, PG R 12-10 6



TE Part #55785-2
SPLICE, BUTT P.G. 16-14 CLEAR



TE Part #33220
TERMINAL, SOLIS R 12-10 3/8



TE Part #1-1414552-0
V23136A1001X057-EV-CBOX



TE Part #696010-2
SPLICE BUTT PG 16-14/22-18



TE Part #193797-1
SKT ASSY - 2MM, 10 AWG



TE Part #193796-1
PIN CONTACT - 2MM, 10AWG

Documents



Product Drawings

[PG BUTT SPLC 22-16COMM22-18MIL](#)

English

CAD Files

[3D PDF](#)

3D

Customer View Model

[ENG_CVM_CVM_55792-2_F.2d_dxf.zip](#)

English

Customer View Model

[ENG_CVM_CVM_55792-2_F.3d_igs.zip](#)

English

Customer View Model

[ENG_CVM_CVM_55792-2_F.3d_stp.zip](#)

English

Customer View Model

[ENG_CVM_55792-2_E.3d_igs.zip](#)

English

Customer View Model

[ENG_CVM_55792-2_E.3d_stp.zip](#)

English

Customer View Model

[ENG_CVM_55792-2_E.2d_dxf.zip](#)

English

[3D PDF](#)

English

By downloading the CAD file I accept and agree to the [Terms and Conditions](#) of use.

Product Specifications

[Application Specification](#)

English

Agency Approvals

[UL Report](#)

English