

62357-1 ✓ ACTIVE



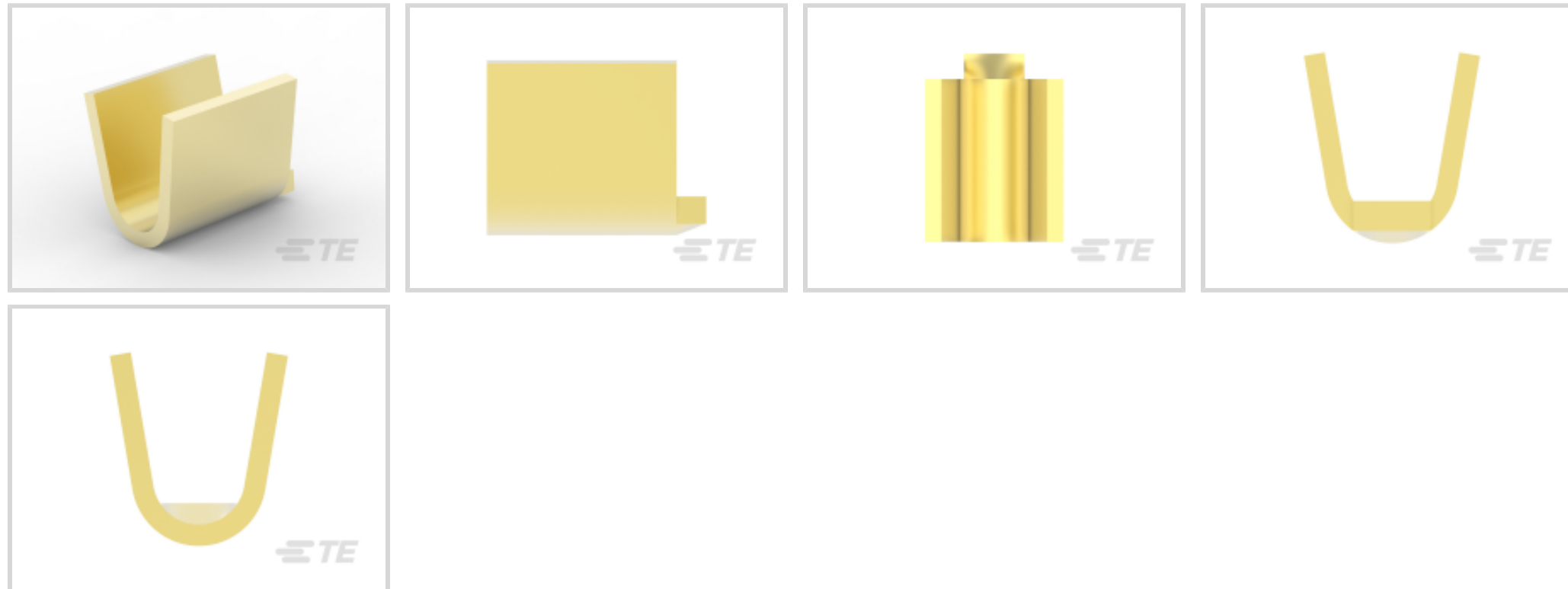
SPLICE

TE Internal #: 62357-1

Splices, 12.5 – 10 AWG Wire Size, 3.75 – 5.07 mm² Wire Size, 7400 – 10000 CMA Wire Size, Brass, Thru Splice / Pigtail Splice Splice, SPLICE

[View on TE.com >](#)

Terminals & Splices > Splices



Wire Size: 7400 – 10000 CMA

Sealable: No

Primary Product Material: Brass

Features

Product Type Features

| | |
|--|-----------------------------|
| Barrel Style | Standard |
| Sealable | No |
| Splice Type | Pigtail Splice, Thru Splice |
| Serrated | No |
| Compatible With Discrete Wire Type | Solid, Stranded |
| Wire Insulation Support Retention Type | Non-Insulation Support |

Configuration Features

| | |
|-----------------------------------|---------------|
| Number of Serrations | 0 |
| Compatible With Wire & Cable Type | Discrete Wire |

Body Features

| | |
|--------------------------|-----------------|
| Weight per Piece | .399 g[.014 oz] |
| Plating Material | Unplated |
| Primary Product Material | Brass |

Contact Features

| | |
|-------------|------|
| Barrel Type | Open |
|-------------|------|



Mechanical Attachment

| | |
|-------------------------|---------|
| Wire Insulation Support | Without |
|-------------------------|---------|

Dimensions

| | |
|-----------------------------|------------------|
| Wire Size | 7400 – 10000 CMA |
| Terminal Material Thickness | .64 mm[.025 in] |
| Overall Product Length | 6.4 mm[.25 in] |

Usage Conditions

| | |
|-----------------------------|----------------------------|
| Insulation Option | Uninsulated |
| Operating Temperature Range | -40 – 110 °C[-40 – 230 °F] |

Operation/Application

| | |
|------------------------------------|--------|
| Heavy Duty | No |
| Compatible With Wire Base Material | Copper |

Industry Standards

| | |
|-----------------------------|----|
| Government Qualified Splice | No |
|-----------------------------|----|

Packaging Features

| | |
|--------------------|-------|
| Packaging Quantity | 12500 |
| Packaging Method | Reel |

Product Compliance

[For compliance documentation, visit the product page on TE.com>](#)

| | |
|---|--|
| EU RoHS Directive 2011/65/EU | Compliant |
| EU ELV Directive 2000/53/EC | Compliant |
| China RoHS 2 Directive MIIT Order No 32, 2016 | No Restricted Materials Above Threshold |
| EU REACH Regulation (EC) No. 1907/2006 | Current ECHA Candidate List: JUNE 2022 (224) Candidate List Declared Against: JAN 2022 (223) SVHC > Threshold: Not Yet Reviewed |
| Halogen Content | Low Halogen - Br, Cl, F, I < 900 ppm per homogenous material. Also BFR/CFR/PVC Free |
| Solder Process Capability | Not applicable for solder process capability |

Product Compliance Disclaimer

This information is provided based on reasonable inquiry of our suppliers and represents our current actual knowledge based on the information they provided. This information is subject to change. The part numbers that TE has identified as EU RoHS compliant have a maximum concentration of 0.1% by weight in homogenous materials for lead, hexavalent chromium, mercury, PBB, PBDE, DBP, BBP, DEHP, DIBP, and 0.01% for cadmium, or qualify for an exemption to these limits as defined in the Annexes of Directive 2011/65/EU (RoHS2). Finished electrical and electronic equipment products will be CE marked as required by Directive 2011/65/EU. Components may not be CE marked. Additionally, the part numbers that TE has identified as EU ELV compliant have a maximum concentration of 0.1% by weight in homogenous materials for lead, hexavalent chromium, and mercury, and 0.01% for cadmium, or qualify for an exemption to these limits as defined in the Annexes of Directive 2000/53/EC (ELV). Regarding the REACH Regulation, the information TE provides on SVHC in articles for this part number is based on the latest European Chemicals Agency (ECHA) 'Guidance on requirements for substances in articles' posted at this URL: <https://echa.europa.eu/guidance-documents/guidance-on-reach>

Compatible Parts



Also in the Series | **SPLICE**

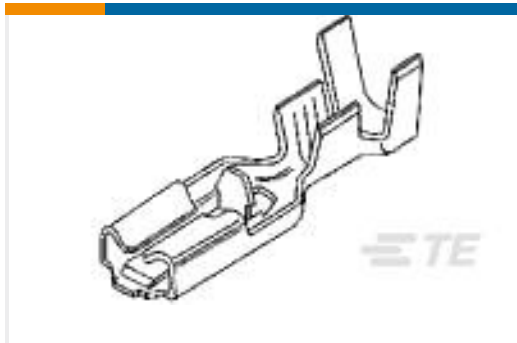


Crimp Wire Pins, Tabs & Ferrules(1)



Splices(65)

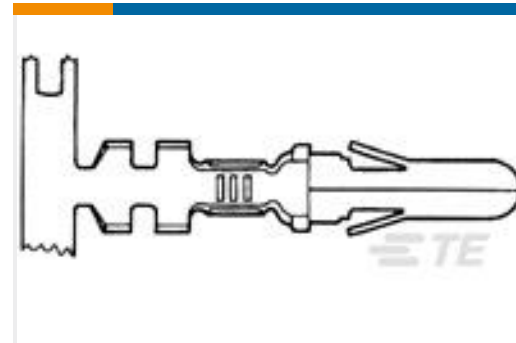
Customers Also Bought



TE Part #63239-1
POSITIVE LOCK 250 REC 12-10 AWG
TPBR



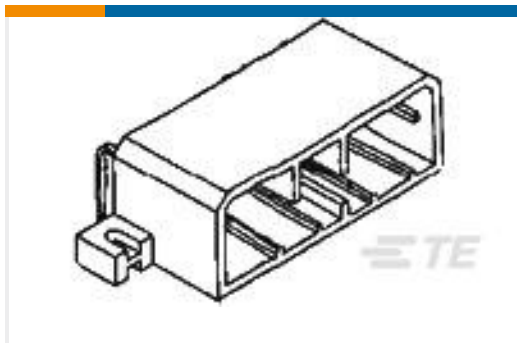
TE Part #60700-2
RING CRIMP 20-16 AWG TPBR



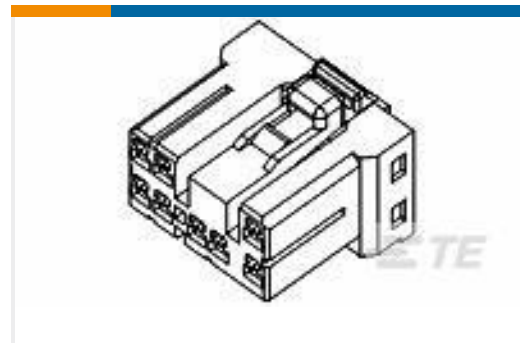
TE Part #350201-2
.140 DIA PIN 14-10 PTPPHBZ



TE Part #42946-2
RING 12-8 AWG TPBR



TE Part #173858-6
070 MLC CAP ASS'Y12P



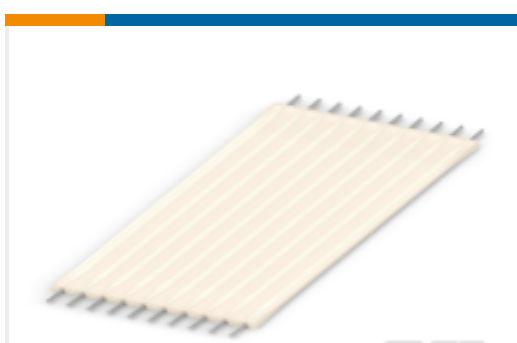
TE Part #176116-6
070 MLC II PLUG ASSY 12P GRAY



TE Part #1-1414686-0
V23136A0004X058-EV-CBOX



TE Part #4-1904124-2
V23074A1001A402-EV-CBOX



TE Part #2205096-1
FSN-22.2Z-7

Documents

Product Drawings

[SPLICE 7400-10000 .025 BR](#)

English

CAD Files

[3D PDF](#)

3D

[Customer View Model](#)

[ENG_CVM_CVM_62357-1_C_c-62357-1-c.2d_dxf.zip](#)



English

Customer View Model

[ENG_CVM_CVM_62357-1_C_c-62357-1-c.3d_igs.zip](#)

English

Customer View Model

[ENG_CVM_CVM_62357-1_C_c-62357-1-c.3d_stp.zip](#)

English

By downloading the CAD file I accept and agree to the [Terms and Conditions](#) of use.

Product Specifications

[Application Specification](#)

English

Product Environmental Compliance

[TE Material Declaration](#)

English

Agency Approvals

[CSA Certificate](#)

English