



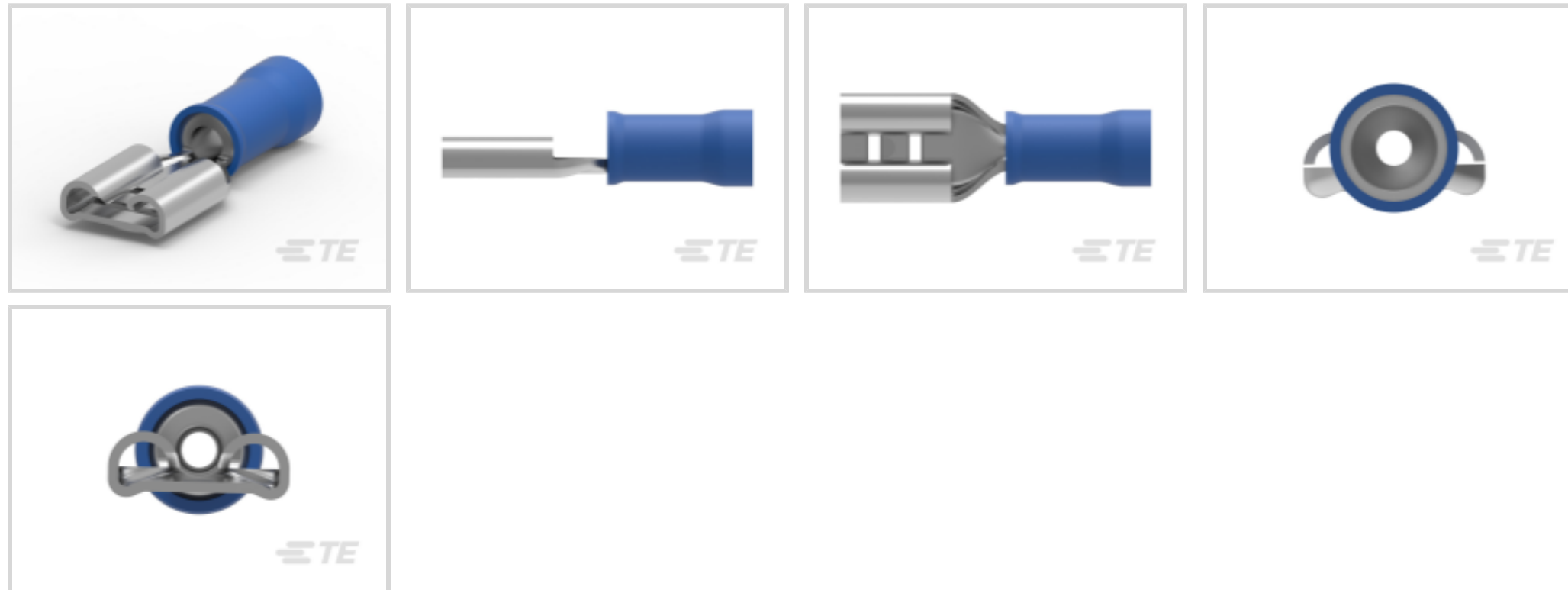
**PIDG**

TE Internal #: 640919-1

Quick Disconnects, Receptacle, 16 – 14 AWG Wire Size, 1.04 – 2.62 mm<sup>2</sup> Wire Size, 2050 – 5180 CMA Wire Size, Mating Tab Width .187 in [4.75 mm], PIDG

[View on TE.com >](#)

Terminals & Splices > Quick Disconnects > PIDG FASTON RECPT QUICK DISCONNECTS



Quick Disconnect Terminal Type: **Receptacle**

Wire Size: **2050 – 5180 CMA**

Mating Tab Width: **4.75 mm [ .187 in ]**

[All PIDG FASTON RECPT QUICK DISCONNECTS \(25\)](#)

**Features**

**Product Type Features**

Terminates To	Wire & Cable
Wire Stop	Yes
Insertion Force	Normal
Sealable	No

**Electrical Characteristics**

Voltage (Max)	300 V
---------------	-------

**Body Features**

Insulation Material	Nylon
---------------------	-------

**Contact Features**

Quick Disconnect Terminal Type	Receptacle
Mating Tab Width	4.75 mm [.187 in]
Mating Tab Thickness	.51 mm [.02 in]
Terminal Orientation	Straight
Contact Base Material	Brass



Terminal Plating Material	Tin
Crimp Type	Compression
Barrel Type	Closed

#### Mechanical Attachment

Mating Retention Type	Dimple
Wire Insulation Support	With

#### Dimensions

Accepts Wire Insulation Diameter Range	4.32 mm[.17 in]
Receptacle Terminal Stock Thickness	.41 mm[.016 in]
Overall Length	20.36 mm[.8 in]
Wire Size	2050 – 5180 CMA

#### Usage Conditions

Insulation Option	Partially Insulated
Operating Temperature Range	105 °C[221 °F]

#### Industry Standards

RU (UL Component Program)	Approved
CSA Certified	Yes

#### Packaging Features

Packaging Quantity	1000
Packaging Method	Loose Piece

#### Other

Barrel Color	Blue
--------------	------

### Product Compliance

[For compliance documentation, visit the product page on TE.com>](#)

EU RoHS Directive 2011/65/EU	Compliant
EU ELV Directive 2000/53/EC	Compliant
China RoHS 2 Directive MIIT Order No 32, 2016	No Restricted Materials Above Threshold
EU REACH Regulation (EC) No. 1907/2006	Current ECHA Candidate List: JUNE 2022 (224) Candidate List Declared Against: JAN 2022 (223) SVHC > Threshold: Not Yet Reviewed



Halogen Content

Low Halogen - Br, Cl, F, I < 900 ppm per homogenous material. Also BFR/CFR/PVC Free

Solder Process Capability

Not applicable for solder process capability

Product Compliance Disclaimer

This information is provided based on reasonable inquiry of our suppliers and represents our current actual knowledge based on the information they provided. This information is subject to change. The part numbers that TE has identified as EU RoHS compliant have a maximum concentration of 0.1% by weight in homogenous materials for lead, hexavalent chromium, mercury, PBB, PBDE, DBP, BBP, DEHP, DIBP, and 0.01% for cadmium, or qualify for an exemption to these limits as defined in the Annexes of Directive 2011/65/EU (RoHS2). Finished electrical and electronic equipment products will be CE marked as required by Directive 2011/65/EU. Components may not be CE marked. Additionally, the part numbers that TE has identified as EU ELV compliant have a maximum concentration of 0.1% by weight in homogenous materials for lead, hexavalent chromium, and mercury, and 0.01% for cadmium, or qualify for an exemption to these limits as defined in the Annexes of Directive 2000/53/EC (ELV). Regarding the REACH Regulation, the information TE provides on SVHC in articles for this part number is based on the latest European Chemicals Agency (ECHA) 'Guidance on requirements for substances in articles' posted at this URL: <https://echa.europa.eu/guidance-documents/guidance-on-reach>

### Compatible Parts



TE Part # 59824-1  
TETRA-CRIMP PIDG PG FASTON 22-10 ASSY



TE Part # 58433-3  
PRO CR ASSY, RBY IS9252




TE Part # 1SET191001R0000  
CRIMP-HT

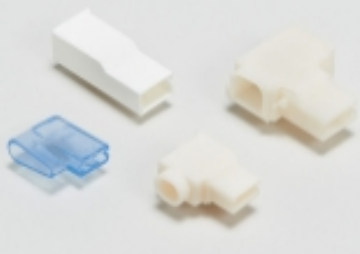


TE Part # 1SET191002R0000  
TET CRIMP-HT

### Also in the Series | PIDG




Compression Connectors(17)



Crimp Terminal Housings(1)



Crimp Wire Pins, Tabs & Ferrules(41)



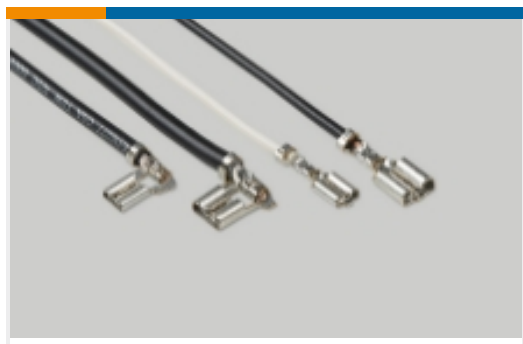
Knife Disconnects(11)



PCB Terminals(9)



Portable Crimp Tools(2)



Quick Disconnects(53)



Ring Terminals & Spade Terminals(861)



Special Purpose Terminals(1)



Splices(48)

## Customers Also Bought



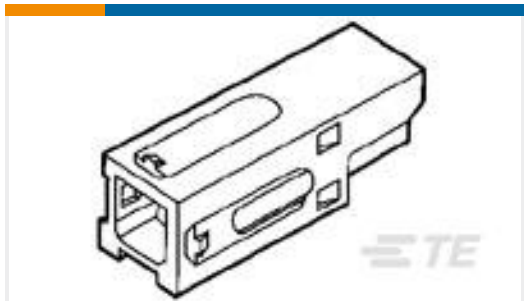
TE Part #52930-3  
PIDG SP SPD 22-16COMM22-18MIL8



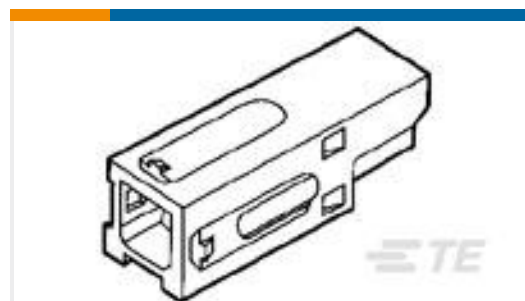
TE Part #1-1744416-0  
10 POS EP II HSG, GLOW WIRE



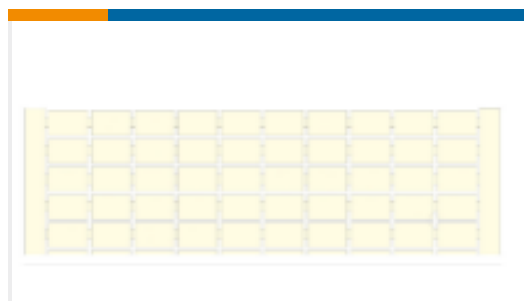
TE Part #324165  
TERMINAL,PG SPD FLG 16-14 6



TE Part #53894-1  
HSG ASSY,PWR LK,SRS1,1 POS,WHT



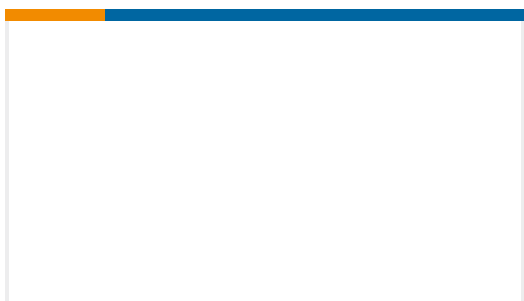
TE Part #53894-3  
HSG ASSY,PWR LK,SRS1,1 POS,GRN



TE Part #1SNA233061R2100  
RC610 101->200 VERTICAL



TE Part #4-456406-1  
CRIMPER, WIRE .090



TE Part #1SNA115417R0500  
MB6/8.L6



TE Part #2-455889-0  
DEPRESSOR SHEAR

## Documents



## Product Drawings

### RECEPT,PIDG FASTON 16-14 187

English

## CAD Files

### 3D PDF

English

### Customer View Model

[ENG\\_CVM\\_640919-1\\_G.2d\\_dxf.zip](#)

English

### Customer View Model

[ENG\\_CVM\\_640919-1\\_G.3d\\_igs.zip](#)

English

### Customer View Model

[ENG\\_CVM\\_640919-1\\_G.3d\\_stp.zip](#)

English

### 3D PDF

3D

### Customer View Model

[ENG\\_CVM\\_CVM\\_640919-1\\_F.2d\\_dxf.zip](#)

English

### Customer View Model

[ENG\\_CVM\\_CVM\\_640919-1\\_F.3d\\_igs.zip](#)

English

### Customer View Model

[ENG\\_CVM\\_CVM\\_640919-1\\_F.3d\\_stp.zip](#)

English

By downloading the CAD file I accept and agree to the [Terms and Conditions](#) of use.

## Datasheets & Catalog Pages

### PIDG\_FASTON

English

### Ultra-Fast and Ultra Fast Plus

English

### PIDG TERMINALS & SPLICES Quick Reference Guide

English

## Product Specifications

### Application Specification

English

## Product Environmental Compliance

### MD\_640919-1\_021920182251\_dmtec

English

### MD\_640919-1\_021920182251\_dmtec

English



---

[Agency Approvals](#)

[UL Report](#)

English