

62157-1 ✓ ACTIVE

## AMPLIVAR

TE Internal #: 62157-1

Splices, 22 – 15 AWG Wire Size, .3 – 1.5 mm<sup>2</sup> Wire Size, Splice  
Capacity 3, 600 – 3000 CMA Wire Size, Brass, Pigtail Splice Splice,  
Serrated, AMPLIVAR

[View on TE.com >](#)



Terminals & Splices > Splices



Wire Size: 600 – 3000 CMA

Sealable: No

Splice Capacity: 3

### Features

#### Product Type Features

Sealable	No
Splice Type	Pigtail Splice
Serrated	Yes
Compatible With Discrete Wire Type	Magnet Wire, Solid

#### Configuration Features

Strip Orientation	End Feed
Splice Capacity	3
Number of Serrations	7

#### Electrical Characteristics

Operating Voltage	250 V
-------------------	-------

#### Body Features

Weight per Piece	.158 g
Plating Material	Unplated
Primary Product Material	Brass

#### Contact Features

Contact Plating Material	Unplated
--------------------------	----------

Barrel Type	Open
-------------	------

### Termination Features

Crimp Width	2.79 mm[.11 in]
-------------	-----------------

### Mechanical Attachment

Wire Insulation Support	Without
-------------------------	---------

### Dimensions

Wire Size	600 – 3000 CMA
-----------	----------------

Terminal Material Thickness	.51 mm[.02 in]
-----------------------------	----------------

Overall Product Length	5.72 mm[.225 in]
------------------------	------------------

### Usage Conditions

Insulation Option	Uninsulated
-------------------	-------------

Operating Temperature Range	-65 – 150 °C[-85 – 302 °F]
-----------------------------	----------------------------

### Operation/Application

Heavy Duty	No
------------	----

Compatible With Wire Base Material	Copper
------------------------------------	--------

### Industry Standards

Government Qualified Splice	No
-----------------------------	----

### Packaging Features

Packaging Quantity	30000
--------------------	-------

Packaging Method	Strip
------------------	-------

### Other

Comment	Splice recommended for applications using wire size 26 AWG or smaller.
---------	--

### Product Compliance

[For compliance documentation, visit the product page on TE.com>](#)

EU RoHS Directive 2011/65/EU	Compliant
------------------------------	-----------

EU ELV Directive 2000/53/EC	Compliant
-----------------------------	-----------

China RoHS 2 Directive MIIT Order No 32, 2016	No Restricted Materials Above Threshold
---	---

EU REACH Regulation (EC) No. 1907/2006	Current ECHA Candidate List: JUNE 2022 (224)
--	--

Candidate List Declared Against: JAN 2022  
(223)  
SVHC > Threshold:  
Not Yet Reviewed

Halogen Content

Low Halogen - Br, Cl, F, I < 900 ppm per  
homogenous material. Also BFR/CFR/PVC  
Free

Solder Process Capability

Not applicable for solder process capability

Product Compliance Disclaimer

This information is provided based on reasonable inquiry of our suppliers and represents our current actual knowledge based on the information they provided. This information is subject to change. The part numbers that TE has identified as EU RoHS compliant have a maximum concentration of 0.1% by weight in homogenous materials for lead, hexavalent chromium, mercury, PBB, PBDE, DBP, BBP, DEHP, DIBP, and 0.01% for cadmium, or qualify for an exemption to these limits as defined in the Annexes of Directive 2011/65/EU (RoHS2). Finished electrical and electronic equipment products will be CE marked as required by Directive 2011/65/EU. Components may not be CE marked. Additionally, the part numbers that TE has identified as EU ELV compliant have a maximum concentration of 0.1% by weight in homogenous materials for lead, hexavalent chromium, and mercury, and 0.01% for cadmium, or qualify for an exemption to these limits as defined in the Annexes of Directive 2000/53/EC (ELV). Regarding the REACH Regulation, the information TE provides on SVHC in articles for this part number is based on the latest European Chemicals Agency (ECHA) 'Guidance on requirements for substances in articles' posted at this URL: <https://echa.europa.eu/guidance-documents/guidance-on-reach>

## Compatible Parts



TE Part # 42192-1  
SPLC AMVAR 600-3000 020BR



TE Part # 1217384-1  
AMVAR SPL 600-3000 7 SERR TPBR



TE Part # 170152-3  
AMP SPLICE



TE Part # 1-2161800-2  
APT-5A TERMINATING MACHINE



TE Part # 1-2161900-2  
APT-5E TERMINATING MACHINE



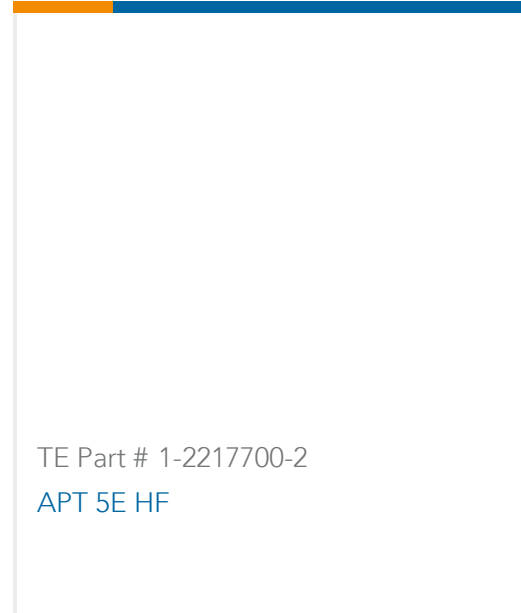
TE Part # 1-2326135-2  
APT-5A INFINITE SPLICE



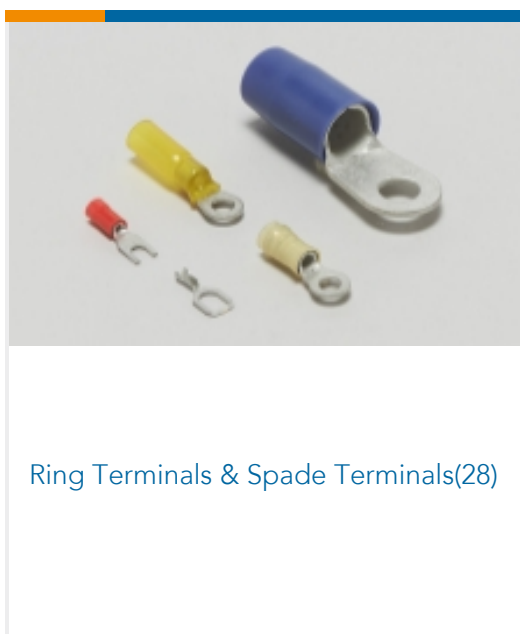
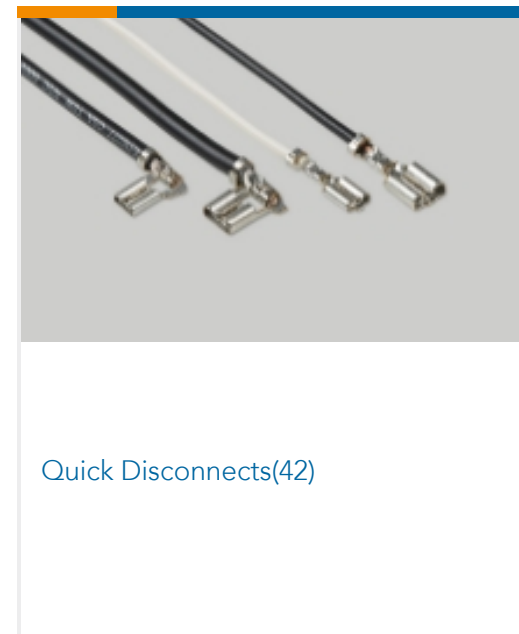
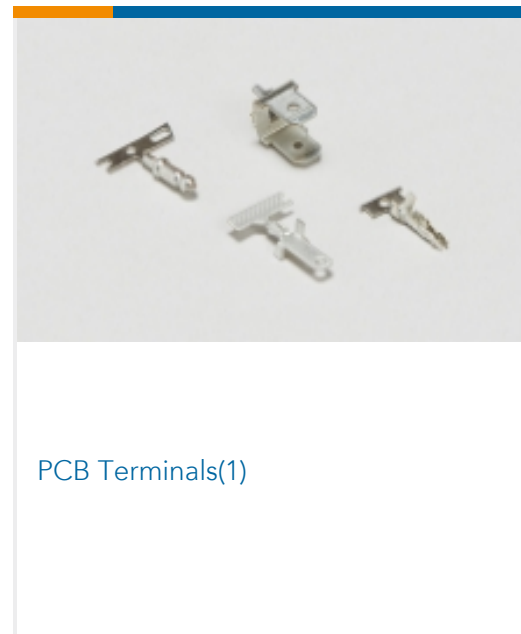
TE Part # 1-2326143-2  
RETROFIT KIT, INFINITE SPLICE



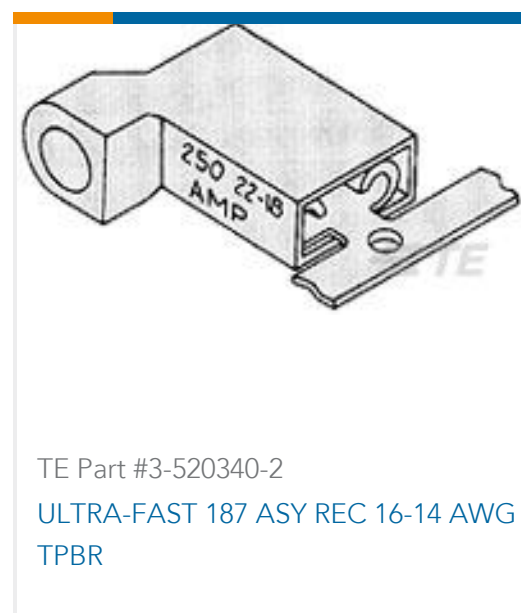
TE Part # 1-2326145-2  
APT-5E INFINITE SPLICE

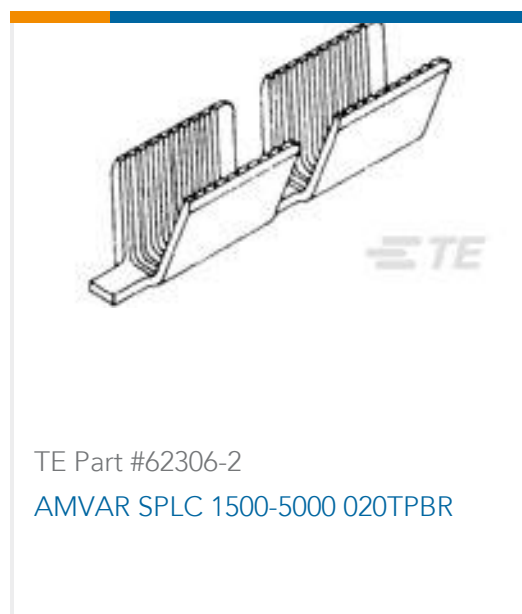


## Also in the Series | AMPLIVAR



## Customers Also Bought

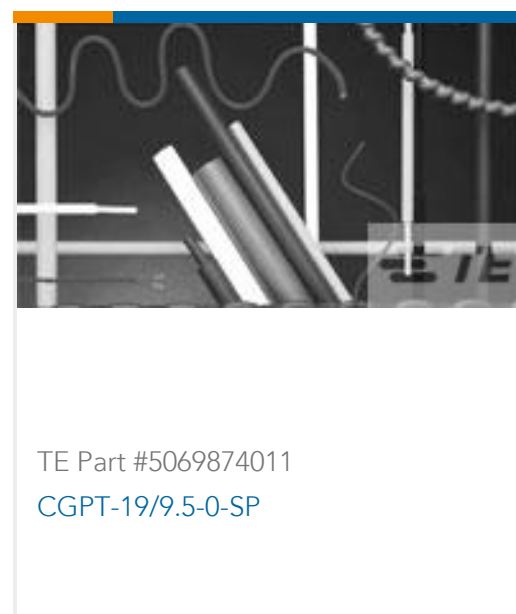




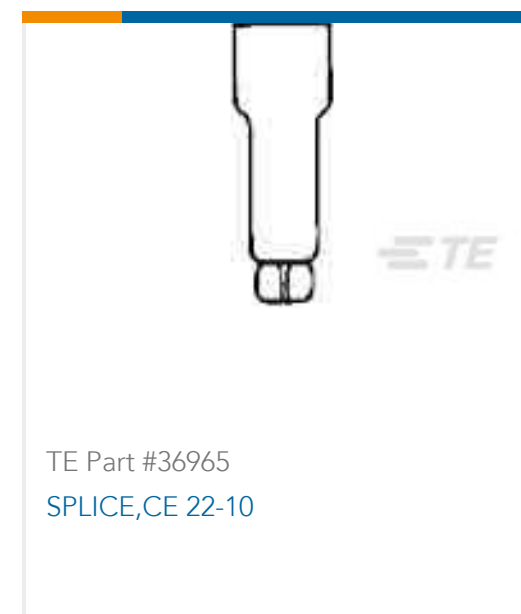
TE Part #62306-2  
AMVAR SPLC 1500-5000 020TPBR



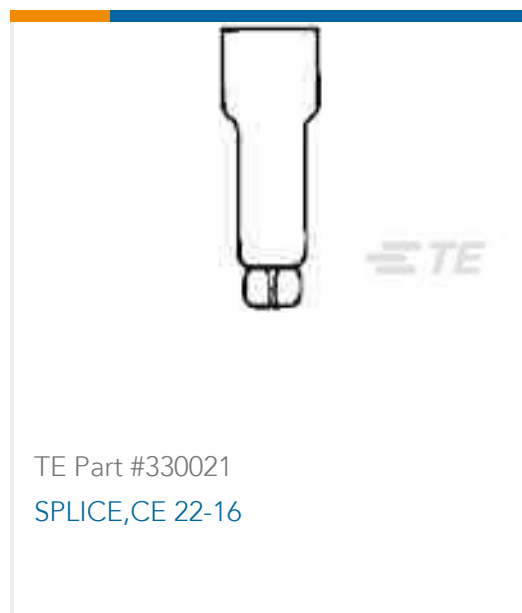
TE Part #1776293-1  
TSB23001DS=EUROPA TERM BLK,  
8MM



TE Part #5069874011  
CGPT-19/9.5-0-SP



TE Part #36965  
SPLICE,CE 22-10



TE Part #330021  
SPLICE,CE 22-16

## Documents

### Product Drawings

[SPLICE AMVAR 600-3000 .020BR](#)

English

### CAD Files

[3D PDF](#)

3D

Customer View Model

[ENG\\_CVM\\_CVM\\_62157-1\\_N.2d\\_dxf.zip](#)

English

Customer View Model

[ENG\\_CVM\\_CVM\\_62157-1\\_N.3d\\_igs.zip](#)

English

Customer View Model

[ENG\\_CVM\\_CVM\\_62157-1\\_N.3d\\_stp.zip](#)

English

By downloading the CAD file I accept and agree to the [Terms and Conditions](#) of use.

### Datasheets & Catalog Pages

[1654742\\_HOUSEHOLD\\_APPLIANCES\\_RAST5](#)

English

### Magnet Wire Terminals & Splices

English

### Product Specifications

[Application Specification](#)

English





### AMPLIVAR 7 Serration Pigtail Splice

English

---

### Product Environmental Compliance

Product Compliance

English

Product Compliance

English