



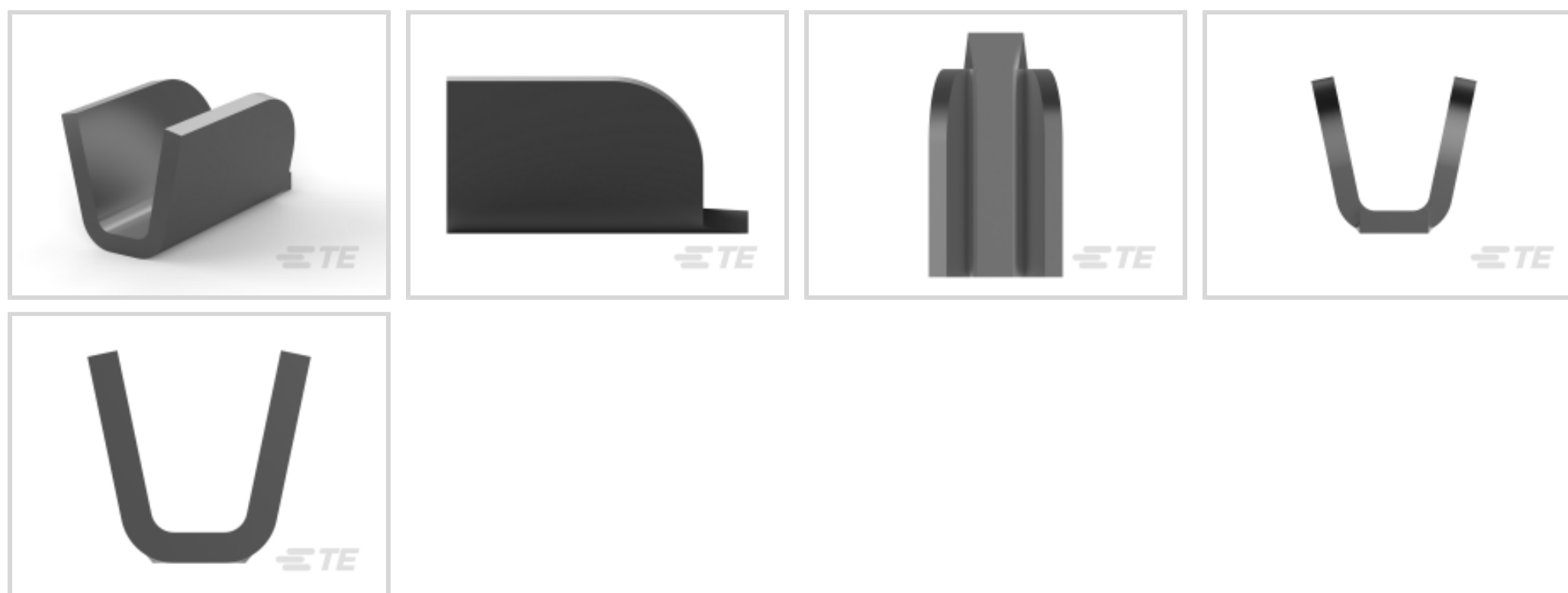
AMPLIVAR

TE Internal #: 62304-2

Splices, 22 – 15 AWG Wire Size, .3 – 1.5 mm² Wire Size, Splice Capacity 3, 600 – 3000 CMA Wire Size, Brass, Pigtail Splice Splice, Serrated, AMPLIVAR

[View on TE.com >](#)

Terminals & Splices > Splices



Wire Size: 600 – 3000 CMA

Sealable: No

Splice Capacity: 3

Features

Product Type Features

Sealable	No
Splice Type	Pigtail Splice
Serrated	Yes
Compatible With Discrete Wire Type	Magnet Wire, Solid

Configuration Features

Strip Orientation	End Feed
Splice Capacity	3
Number of Serrations	9

Electrical Characteristics

Operating Voltage	250 V
-------------------	-------

Body Features

Weight per Piece	.16 g
Plating Material	Tin
Primary Product Material	Brass

Contact Features



Contact Plating Material	Tin
--------------------------	-----

Barrel Type	Open
-------------	------

Termination Features

Crimp Width	2.79 mm[.11 in]
-------------	-----------------

Mechanical Attachment

Wire Insulation Support	Without
-------------------------	---------

Dimensions

Wire Size	600 – 3000 CMA
-----------	----------------

Terminal Material Thickness	.51 mm[.02 in]
-----------------------------	----------------

Overall Product Length	5.72 mm[.225 in]
------------------------	------------------

Usage Conditions

Insulation Option	Uninsulated
-------------------	-------------

Operating Temperature Range	-65 – 150 °C[-85 – 302 °F]
-----------------------------	----------------------------

Operation/Application

Heavy Duty	No
------------	----

Compatible With Wire Base Material	Copper
------------------------------------	--------

Industry Standards

Government Qualified Splice	No
-----------------------------	----

Packaging Features

Packaging Quantity	30000
--------------------	-------

Packaging Method	Strip
------------------	-------

Product Compliance

[For compliance documentation, visit the product page on TE.com>](#)

EU RoHS Directive 2011/65/EU	Compliant
------------------------------	-----------

EU ELV Directive 2000/53/EC	Compliant
-----------------------------	-----------

China RoHS 2 Directive MIIT Order No 32, 2016	No Restricted Materials Above Threshold
---	---

EU REACH Regulation (EC) No. 1907/2006	Current ECHA Candidate List: JUNE 2022 (224) Candidate List Declared Against: JAN 2022 (223) SVHC > Threshold: Not Yet Reviewed
--	--

Halogen Content	Low Halogen - Br, Cl, F, I < 900 ppm per
-----------------	--

homogenous material. Also BFR/CFR/PVC Free

Solder Process Capability

Not applicable for solder process capability

Product Compliance Disclaimer

This information is provided based on reasonable inquiry of our suppliers and represents our current actual knowledge based on the information they provided. This information is subject to change. The part numbers that TE has identified as EU RoHS compliant have a maximum concentration of 0.1% by weight in homogenous materials for lead, hexavalent chromium, mercury, PBB, PBDE, DBP, BBP, DEHP, DIBP, and 0.01% for cadmium, or qualify for an exemption to these limits as defined in the Annexes of Directive 2011/65/EU (RoHS2). Finished electrical and electronic equipment products will be CE marked as required by Directive 2011/65/EU. Components may not be CE marked. Additionally, the part numbers that TE has identified as EU ELV compliant have a maximum concentration of 0.1% by weight in homogenous materials for lead, hexavalent chromium, and mercury, and 0.01% for cadmium, or qualify for an exemption to these limits as defined in the Annexes of Directive 2000/53/EC (ELV). Regarding the REACH Regulation, the information TE provides on SVHC in articles for this part number is based on the latest European Chemicals Agency (ECHA) 'Guidance on requirements for substances in articles' posted at this URL: <https://echa.europa.eu/guidance-documents/guidance-on-reach>

Compatible Parts



TE Part # 1217384-1
AMVAR SPL 600-3000 7 SERR TPBR



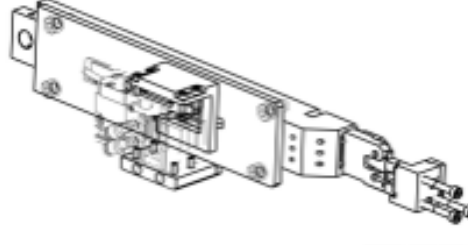
TE Part # 1-2161800-2
APT-5A TERMINATING MACHINE



TE Part # 1-2161900-2
APT-5E TERMINATING MACHINE



TE Part # 1-2326135-2
APT-5A INFINITE SPLICE



TE Part # 1-2326143-2
RETROFIT KIT, INFINITE SPLICE



TE Part # 1-2326145-2
APT-5E INFINITE SPLICE



TE Part # 170152-2
AMPLIVAR SPLICE STR



TE Part # 170152-4
AMP SPLICE



TE Part # 1742348-1
9 Serr AMPLIVAR Spade



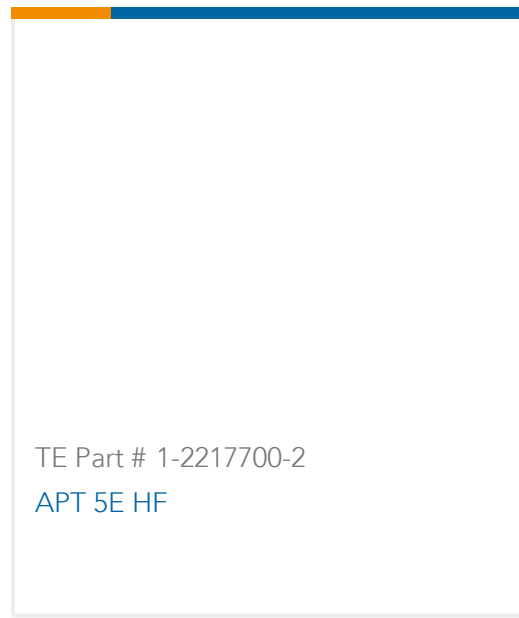
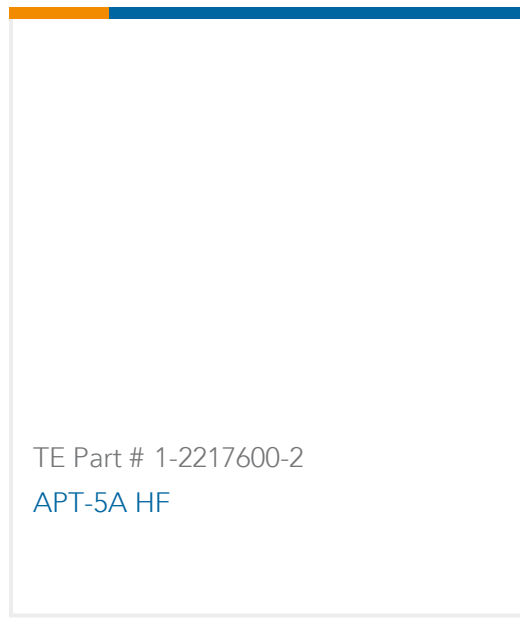
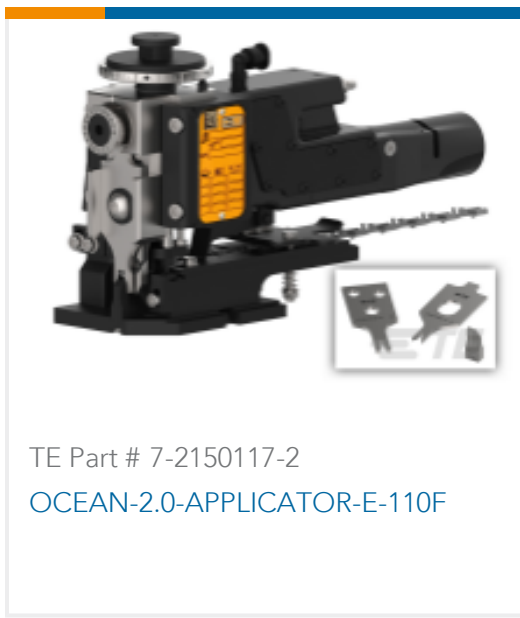
TE Part # 2-2150117-2
OCEAN-2.0-APPLICATOR-E-110F



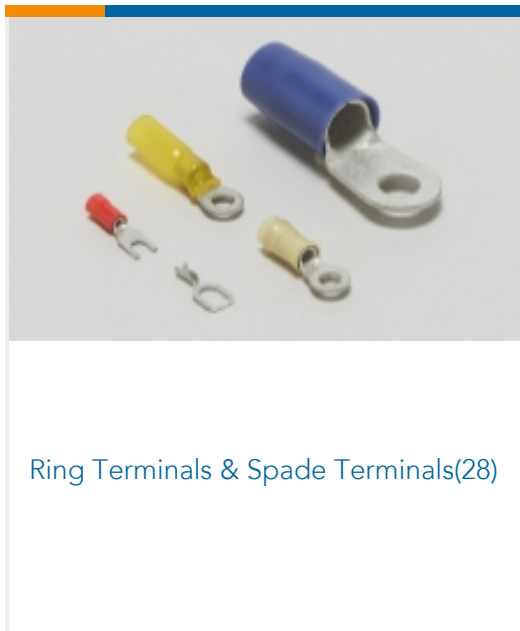
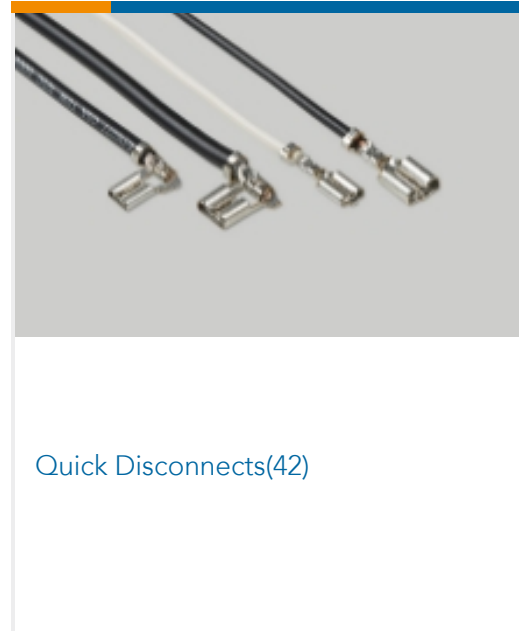
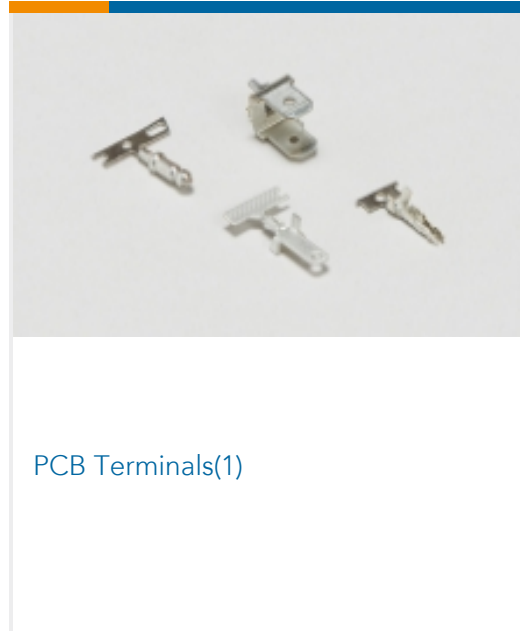
TE Part # 2150117-2
OCEAN-2.0-APPLICATOR-E-110F



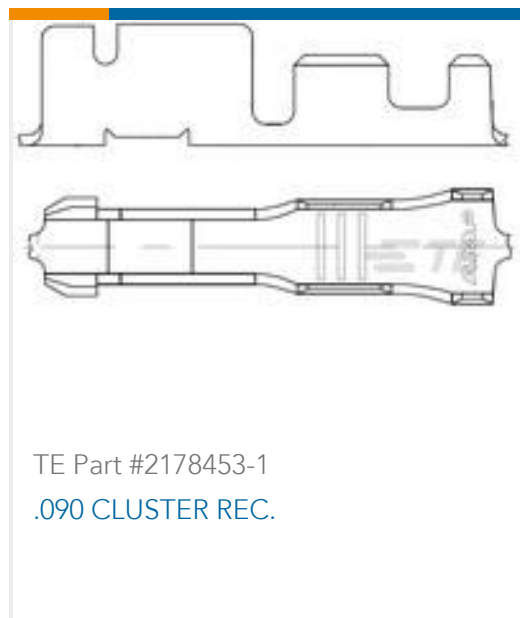
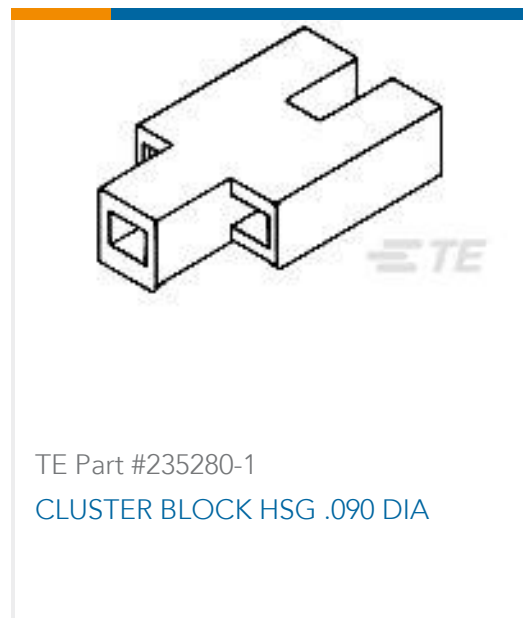
TE Part # 42192-2
SPLC AMVAR 600-3000 020TPBR



Also in the Series | **AMPLIVAR**



Customers Also Bought





Documents

Product Drawings

[AMVAR SPLC 600-3000 020TPBR](#)

English

CAD Files

[3D PDF](#)

3D

Customer View Model

[ENG_CVM_CVM_62304-2_R.2d_dxf.zip](#)

English

Customer View Model

[ENG_CVM_CVM_62304-2_R.3d_igs.zip](#)

English

Customer View Model

[ENG_CVM_CVM_62304-2_R.3d_stp.zip](#)

English

By downloading the CAD file I accept and agree to the [Terms and Conditions](#) of use.

Datasheets & Catalog Pages

[1654742_HOUSEHOLD_APPLIANCES_RAST5](#)

English

[Magnet Wire Terminals & Splices](#)

English

[AMPLIVAR Splices for Multiple Bussed Splicing Product Flyer](#)

English

Product Specifications

[Application Specification](#)

English

Product Environmental Compliance

[MD_62304-2_111820141032_dmtec](#)

English

[MD_62304-2_111820141032_dmtec](#)

English