

66581-7 ✓ ACTIVE

AMP | AMP Type IV

TE Internal #: 66581-7

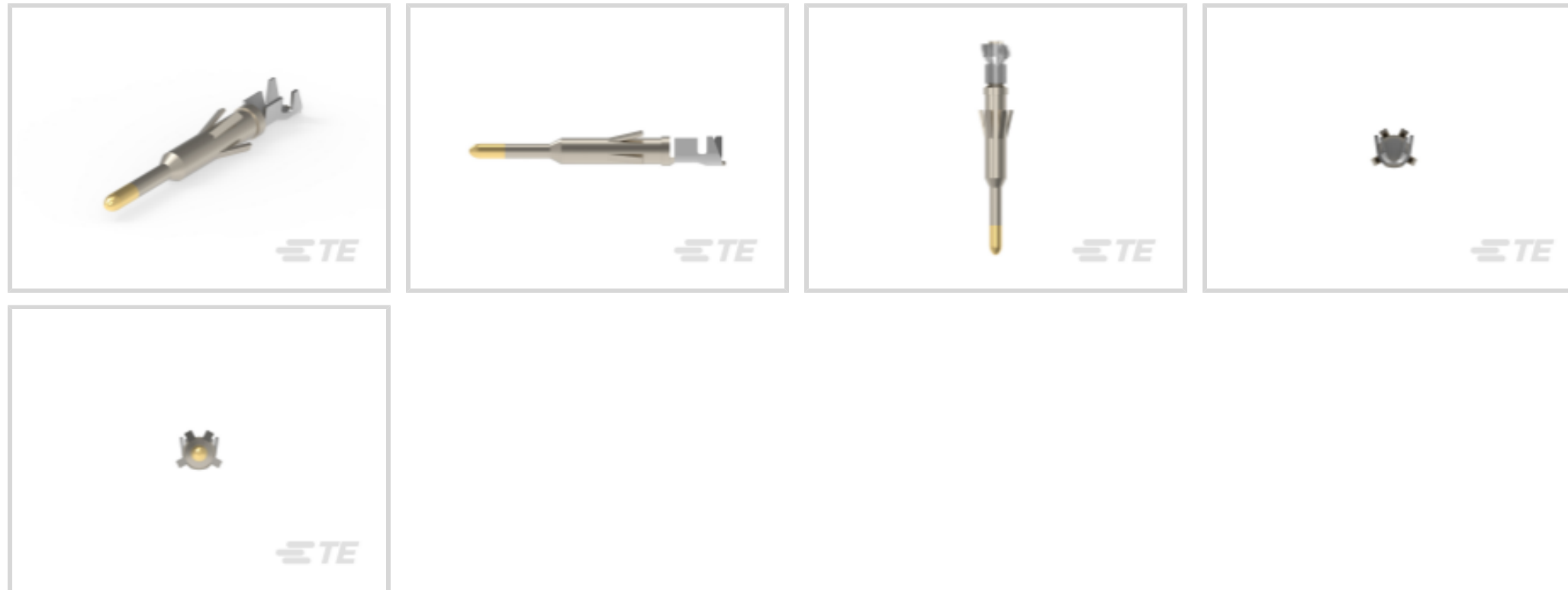
Power Contacts, Contact, 250 VAC, 250 VDC, Gold, 22 – 18 AWG

Wire Size, .3 – .9 mm² Wire Size, Wire-to-Wire, 1 Position, Wire & Cable, AMP Type IV

[View on TE.com >](#)



Connectors > Power Connectors > Power Contacts



Power Contact Type: **Contact**

Operating Voltage: **250 VDC**

Contact Mating Area Plating Material: **Gold**

Wire Size: **22 – 18 AWG**

Features

Product Type Features

Power Contact Type	Contact
Connector System	Wire-to-Wire
Sealable	No
Connector & Contact Terminates To	Wire & Cable

Configuration Features

Number of Positions	1
---------------------	---

Electrical Characteristics

Test Current	13 A
Operating Voltage	250 VDC

Contact Features

Contact Mating Area Plating Material	Gold
Contact Current Rating (Max)	1.8 A
Contact Type	Pin
Contact Retention Within Housing	With



Mating Pin Diameter	1.57 mm[.062 in]
Contact Base Material	Brass
Contact Mating Area Plating Material Thickness	.76 μm[30 μin]
Contact Mating Area Plating Material Finish	Bright
Wire Contact Termination Area Plating Thickness	1.27 μm[50 μin]
Wire Contact Termination Area Plating Material	Tin
Wire Contact Termination Area Plating Material Finish	Bright
Contact Orientation	Straight
Contact Underplating Material	Nickel
Contact Underplating Material Thickness	1.27 μm[50 μin]
Contact Size	16

Termination Features

Termination Method to Wire & Cable	Crimp
------------------------------------	-------

Mechanical Attachment

Connector Mounting Type	Panel Mount
Wire Insulation Support	With

Dimensions

Wire Size	.3 – .9 mm ²
Accepts Wire Insulation Diameter Range	1.27 – 2.79 mm[.05 – .11 in]

Usage Conditions

Operating Temperature Range	-55 – 150 °C[-67 – 302 °F]
-----------------------------	----------------------------

Operation/Application

Circuit Application	Signal
---------------------	--------

Packaging Features

Packaging Method	Strip
------------------	-------

Other

Wire/Cable Type	Discrete Wire
For Use With	G Series Connectors
Comment	Wire strip length-- 3.96 [.156] for all wire sizes.

Product Compliance

[For compliance documentation, visit the product page on TE.com>](#)

EU RoHS Directive 2011/65/EU	Compliant
EU ELV Directive 2000/53/EC	Compliant
China RoHS 2 Directive MIIT Order No 32, 2016	No Restricted Materials Above Threshold
EU REACH Regulation (EC) No. 1907/2006	Current ECHA Candidate List: JUNE 2022 (224) Candidate List Declared Against: JUNE 2022 (224) Does not contain REACH SVHC
Halogen Content	Low Halogen - Br, Cl, F, I < 900 ppm per homogenous material. Also BFR/CFR/PVC Free
Solder Process Capability	Not applicable for solder process capability

Product Compliance Disclaimer

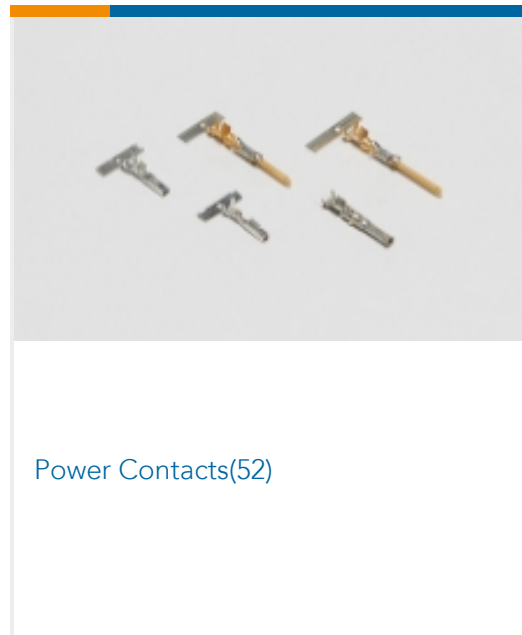
This information is provided based on reasonable inquiry of our suppliers and represents our current actual knowledge based on the information they provided. This information is subject to change. The part numbers that TE has identified as EU RoHS compliant have a maximum concentration of 0.1% by weight in homogenous materials for lead, hexavalent chromium, mercury, PBB, PBDE, DBP, BBP, DEHP, DIBP, and 0.01% for cadmium, or qualify for an exemption to these limits as defined in the Annexes of Directive 2011/65/EU (RoHS2). Finished electrical and electronic equipment products will be CE marked as required by Directive 2011/65/EU. Components may not be CE marked. Additionally, the part numbers that TE has identified as EU ELV compliant have a maximum concentration of 0.1% by weight in homogenous materials for lead, hexavalent chromium, and mercury, and 0.01% for cadmium, or qualify for an exemption to these limits as defined in the Annexes of Directive 2000/53/EC (ELV). Regarding the REACH Regulation, the information TE provides on SVHC in articles for this part number is based on the latest European Chemicals Agency (ECHA) 'Guidance on requirements for substances in articles' posted at this URL: <https://echa.europa.eu/guidance-documents/guidance-on-reach>

Compatible Parts

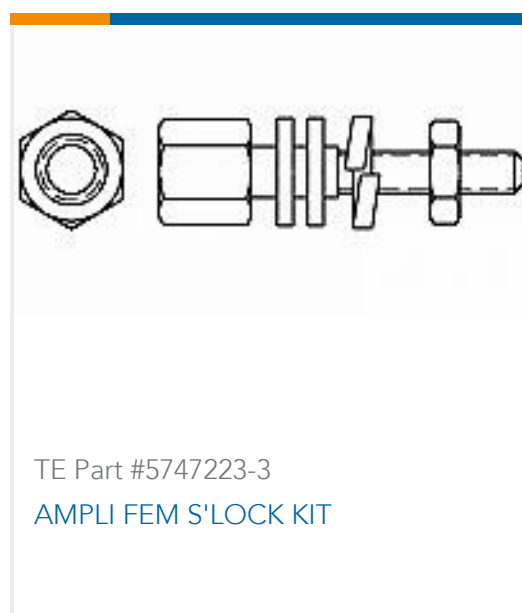
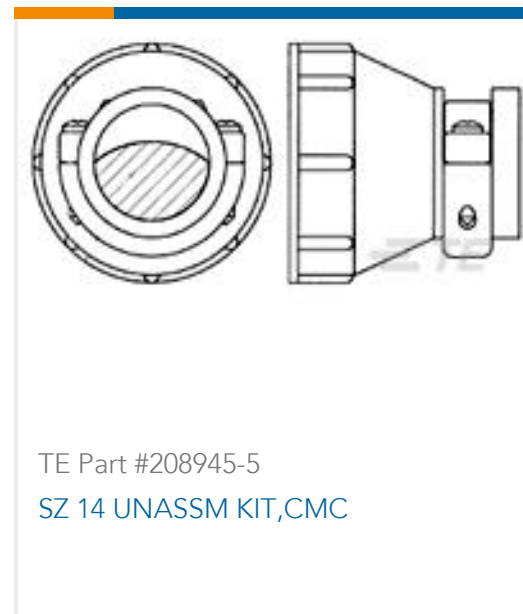
 <p>TE Part # 66582-7 TYPE VI SOCKET, MULTI-MATE</p>	 <p>TE Part # 2-2837585-1 OCEAN-2.0-APPLICATOR-S-070F0900</p>	 <p>TE Part # 2-2837585-2 OCEAN-2.0-APPLICATOR-S-070F0900A</p>	 <p>TE Part # 2837585-1 OCEAN-2.0-APPLICATOR-S-070F0900</p>
 <p>TE Part # 2837585-2 OCEAN-2.0-APPLICATOR-S-070F0900A</p>	 <p>TE Part # 2844982-1 CCII TYPE VI MLTIMATE PIN/SKT 22-18 ASSY</p>	 <p>TE Part # 7-2837585-1 OCEAN-2.0-APPLICATOR-S-070F0900</p>	 <p>TE Part # 7-2837585-2 OCEAN-2.0-APPLICATOR-S-070F0900A</p>



Also in the Series | AMP Type IV



Customers Also Bought





Documents

Product Drawings

TYPE VI PIN,MULTI-MATE

English

CAD Files

Customer View Model

[ENG_CVM_66581-7_F1.3d_igs.zip](#)

English

Customer View Model

[ENG_CVM_66581-7_F1.3d_stp.zip](#)

English

Customer View Model

[ENG_CVM_66581-7_F1.2d_dxf.zip](#)

English

3D PDF

English

3D PDF

3D

Customer View Model

[ENG_CVM_CVM_66581-7_AG.2d_dxf.zip](#)

English

Customer View Model

[ENG_CVM_CVM_66581-7_AG.3d_igs.zip](#)

English

Customer View Model

[ENG_CVM_CVM_66581-7_AG.3d_stp.zip](#)

English

By downloading the CAD file I accept and agree to the [Terms and Conditions](#) of use.

Product Specifications

Application Specification

Japanese

Application Specification

English