

8

7

6

5

4

3

2

1

F

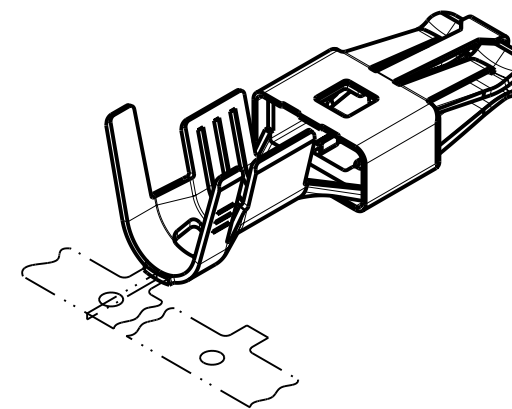
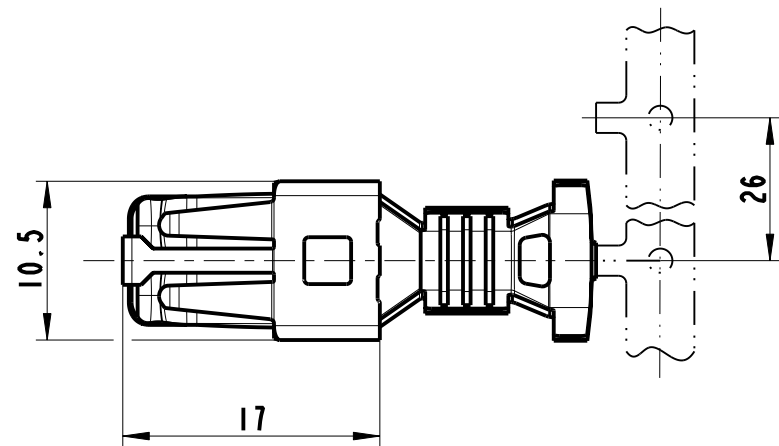
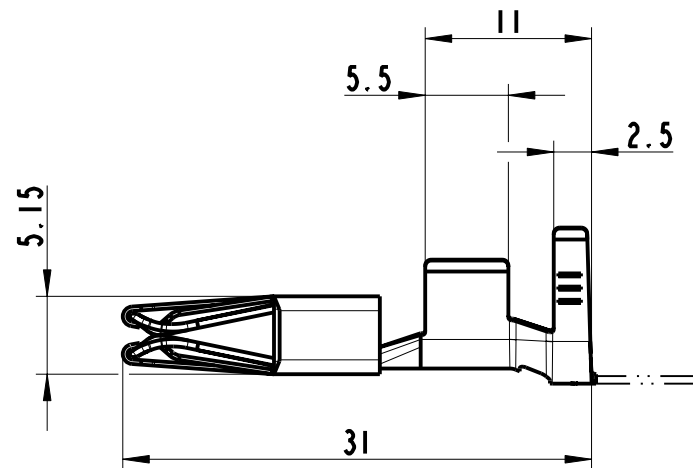
E


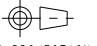

D

C

B

A



DO NOT SCALE DRAWING	 <a href="http://www.fciconnect.com">www.fciconnect.com</a>	 ISO PROJECTION <b>2:1</b>	SCALE
TITLE		DIMENSION IN MILLIMETERS <b>A3</b>	DWG SIZE
<b>Terminal 9.5 DCSI Female</b>	CATALOG NUMBER	 SHEET <b>1</b> of <b>1</b>	
<small>THIS DRAWING AND ALL OTHER INFORMATION CONTAINED THEREIN IS PROPRIETARY AND THE PROPERTY OF FCI. This drawing may not be copied, reproduced or disclosed to any third party without the expressed written permission of FCI. © FCI April 1999</small>			

8

7

6

5

4

3

2

1

- Direct Links**
  - Cross Reference
  - RoHS/LF P/N search
  - Document & Drawing search
  - Application tooling
- Services**
  - Contact us
  - Distributor list
  - Pricing request
  - Order samples
- Literature**
  - Brochures & catalogs
  - Product documentation
  - Technical library

[Back > 60070151](#)

[Assistant](#)



**60070151**

**DCS-1 female 9.5 mm terminal**

ACTIVE

[Customer Drawing](#)

Automotive division

[Email Datasheet](#)  [Print Datasheet](#)

**FCI Brings You More**

- [Contact our sales/technical support](#)
- [Sample request](#)
- € [Price request](#)

**Mating Half**

[60170151](#)

**Specifications**

General Dimensional Electrical Mechanical Physical Environmental **Other Features**

**General**

Product Type	Terminal System
Terminal size (in mm)	9.5
Family	DCS-1
Features	High Current Carrying Capacity Protected Contact Springs

	Silver Plated Versions Available Auxiliary Steel Spring in CrNi
<b>Dimensional</b>	
Contact Pitch	12 mm Unsealed/12.5 mm with SWS
<b>Electrical</b>	
Current Carrying Capacity at 23°C	75A
Current Carrying Capacity at 85°C	50A
Current Carrying Capacity at 100°C	40A
Maximum Insulation (in mm)	3.7 (FLRY wire)
Resistance (Contact)	< 3
<b>Mechanical</b>	
Range of Wire Gauge Min - Max	> 2.5 - 4 mm <sup>2</sup>
Contact mating force	< 21N
Single Wire Seal Compatible	Compatible
Contact unmating force	< 15N
<b>Physical</b>	
Plating	Sn
Material	CuCrSiTi/CrNi
<b>Environmental</b>	
IMDS	No
<b>Other Features</b>	
Type	Female
Crimping Tool	65200219
Tradename	DCS
Disclaimer	Displayed data is for information purposes only. For more information, please contact your local sales office. The supply of some products might be limited to some customers.

- Direct Links**
  - Cross Reference
  - RoHS/LF P/N search
  - Document & Drawing search
  - Application tooling
- Services**
  - Contact us
  - Distributor list
  - Pricing request
  - Order samples
- Literature**
  - Brochures & catalogs
  - Product documentation
  - Technical library

[Back > 60070161](#)

[Assistant](#)



**60070161**

**DCS-1 female 9.5 mm terminal**

ACTIVE

[Customer Drawing](#)

Automotive division

[Email Datasheet](#)  [Print Datasheet](#)

**FCI Brings You More**

- [Contact our sales/technical support](#)
- [Sample request](#)
- € [Price request](#)

**Mating Half**

[60170161](#)

**Specifications**

General Dimensional Electrical Mechanical Physical Environmental **Other Features**

**General**

Product Type	Terminal System
Terminal size (in mm)	9.5
Family	DCS-1
Features	High Current Carrying Capacity Protected Contact Springs

	Silver Plated Versions Available Auxiliary Steel Spring in CrNi
<b>Dimensional</b>	
Contact Pitch	12 mm unsealed/12.5 mm with SWS
<b>Electrical</b>	
Current Carrying Capacity at 23°C	75A
Current Carrying Capacity at 85°C	50A
Current Carrying Capacity at 100°C	40A
Maximum Insulation (in mm)	4.3 (FLRY wire)
Resistance (Contact)	< 3
<b>Mechanical</b>	
Range of Wire Gauge Min - Max	> 4 - 6 mm <sup>2</sup>
Contact mating force	< 21N
Single Wire Seal Compatible	Compatible
Contact unmating force	< 15N
<b>Physical</b>	
Plating	Sn
Material	CuCrSiTi/CrNi
<b>Environmental</b>	
IMDS	No
<b>Other Features</b>	
Type	Female
Crimping Tool	65200217
Tradename	DCS
Disclaimer	Displayed data is for information purposes only. For more information, please contact your local sales office. The supply of some products might be limited to some customers.

- Direct Links**
  - Cross Reference
  - RoHS/LF P/N search
  - Document & Drawing search
  - Application tooling
- Services**
  - Contact us
  - Distributor list
  - Pricing request
  - Order samples
- Literature**
  - Brochures & catalogs
  - Product documentation
  - Technical library

[Back > 60070251](#)

[Assistant](#)



**60070251**

**DCS-1 female 9.5 mm terminal**

ACTIVE

[Customer Drawing](#)

Automotive division

[Email Datasheet](#)  [Print Datasheet](#)

**FCI Brings You More**

- [Contact our sales/technical support](#)
- [Sample request](#)
- € [Price request](#)

**Mating Half**

[60170251](#)

**Specifications**

General Dimensional Electrical Mechanical Physical Environmental **Other Features**

**General**

Product Type	Terminal System
Terminal size (in mm)	9.5
Family	DCS-1
Features	High Current Carrying Capacity Protected Contact Springs

	Silver Plated Versions Available Auxiliary Steel Spring in CrNi
<b>Dimensional</b>	
Contact Pitch	12 mm Unsealed/12.5 mm with SWS
<b>Electrical</b>	
Current Carrying Capacity at 23°C	75A
Current Carrying Capacity at 85°C	50A
Current Carrying Capacity at 100°C	40A
Maximum Insulation (in mm)	3.7 (FLRY wire)
Resistance (Contact)	< 3
<b>Mechanical</b>	
Range of Wire Gauge Min - Max	> 2.5 - 4 mm <sup>2</sup>
Contact mating force	< 21N
Single Wire Seal Compatible	Compatible
Contact unmating force	< 15N
<b>Physical</b>	
Plating	Sn
Material	CuCrSiTi/CrNi
<b>Environmental</b>	
IMDS	No
<b>Other Features</b>	
Type	Female
Crimping Tool	65200219
Tradename	DCS
Disclaimer	Displayed data is for information purposes only. For more information, please contact your local sales office. The supply of some products might be limited to some customers.

- Direct Links**
  - Cross Reference
  - RoHS/LF P/N search
  - Document & Drawing search
  - Application tooling
- Services**
  - Contact us
  - Distributor list
  - Pricing request
  - Order samples
- Literature**
  - Brochures & catalogs
  - Product documentation
  - Technical library

[Back > 60070261](#)

[Assistant](#)



**60070261**

**DCS-1 female 9.5 mm terminal**

ACTIVE

[Customer Drawing](#)

Automotive division

[Email Datasheet](#)  [Print Datasheet](#)

**FCI Brings You More**

- [Contact our sales/technical support](#)
- [Sample request](#)
- € [Price request](#)

**Mating Half**

[60170261](#)

**Specifications**

General Dimensional Electrical Mechanical Physical Environmental **Other Features**

**General**

Product Type	Terminal System
Terminal size (in mm)	9.5
Family	DCS-1
Features	High Current Carrying Capacity Protected Contact Springs



	Silver Plated Versions Available Auxiliary Steel Spring in CrNi
<b>Dimensional</b>	
Contact Pitch	12 mm Unsealed/12.5 mm with SWS
<b>Electrical</b>	
Current Carrying Capacity at 23°C	75A
Current Carrying Capacity at 85°C	50A
Current Carrying Capacity at 100°C	40A
Maximum Insulation (in mm)	4.3 (FLRY wire)
Resistance (Contact)	< 3
<b>Mechanical</b>	
Range of Wire Gauge Min - Max	> 4 - 6 mm <sup>2</sup>
Contact mating force	< 21N
Single Wire Seal Compatible	Compatible
Contact unmating force	< 15N
<b>Physical</b>	
Plating	Sn
Material	CuCrSiTi/CrNi
<b>Environmental</b>	
IMDS	No
<b>Other Features</b>	
Type	Female
Crimping Tool	65200217
Tradename	DCS
Disclaimer	Displayed data is for information purposes only. For more information, please contact your local sales office. The supply of some products might be limited to some customers.