

63166-5 ✓ ACTIVE

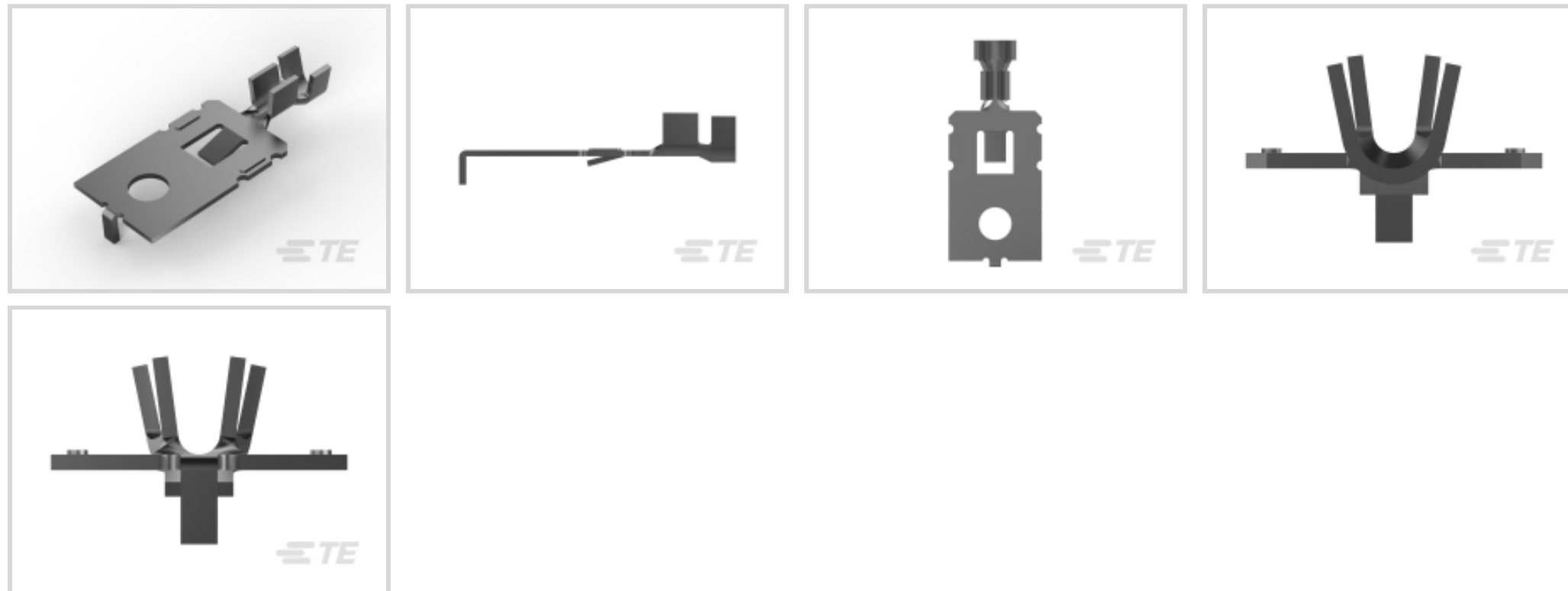
TE Internal #: 63166-5

Special Purpose Terminals, Ring, 16 – 12 AWG Wire Size, 1.3 – 3.3 mm² Wire Size, Pre-Tin Plating, Length 34.66 mm [1.364 in], Reel, Open

[View on TE.com >](#)



Terminals & Splices > Special Purpose Terminals



Special Purpose Terminal Type: **Ring**

Heavy Duty: **No**

Wire Size: **1.3 – 3.3 mm²**

Terminal Material Thickness: **.76 mm [.03 in]**

Features

Product Type Features

Wire/Cable Type	Regular Wire
Wire Insulation Support Retention Type	Insulation Support
Sealable	No

Contact Features

Special Purpose Terminal Type	Ring
Terminal Plating Material	Pre-Tin
Barrel Type	Open
Terminal Orientation	Straight

Mechanical Attachment

Wire Insulation Support	With
-------------------------	------

Dimensions

Wire Size	1.3 – 3.3 mm ²
Terminal Material Thickness	.76 mm [.03 in]
Overall Product Length	34.66 mm [1.364 in]
Accepts Wire Insulation Diameter (Max)	4.06 mm [.16 in]



Accepts Wire Insulation Diameter Range	2.79 – 4.06 mm [.11 – .16 in]
--	-------------------------------

Usage Conditions

Insulation Option	Uninsulated
-------------------	-------------

Operation/Application

Heavy Duty	No
------------	----

Packaging Features

Packaging Quantity	4000
--------------------	------

Packaging Method	Reel
------------------	------

Product Compliance

[For compliance documentation, visit the product page on TE.com>](#)

EU RoHS Directive 2011/65/EU	Compliant
------------------------------	-----------

EU ELV Directive 2000/53/EC	Compliant
-----------------------------	-----------

China RoHS 2 Directive MIIT Order No 32, 2016	No Restricted Materials Above Threshold
---	---

EU REACH Regulation (EC) No. 1907/2006	Current ECHA Candidate List: JUNE 2022 (224) Candidate List Declared Against: JAN 2022 (223) SVHC > Threshold: Not Yet Reviewed
--	--

Halogen Content	Low Halogen - Br, Cl, F, I < 900 ppm per homogenous material. Also BFR/CFR/PVC Free
-----------------	---

Solder Process Capability	Not applicable for solder process capability
---------------------------	--

Product Compliance Disclaimer

This information is provided based on reasonable inquiry of our suppliers and represents our current actual knowledge based on the information they provided. This information is subject to change. The part numbers that TE has identified as EU RoHS compliant have a maximum concentration of 0.1% by weight in homogenous materials for lead, hexavalent chromium, mercury, PBB, PBDE, DBP, BBP, DEHP, DIBP, and 0.01% for cadmium, or qualify for an exemption to these limits as defined in the Annexes of Directive 2011/65/EU (RoHS2). Finished electrical and electronic equipment products will be CE marked as required by Directive 2011/65/EU. Components may not be CE marked. Additionally, the part numbers that TE has identified as EU ELV compliant have a maximum concentration of 0.1% by weight in homogenous materials for lead, hexavalent chromium, and mercury, and 0.01% for cadmium, or qualify for an exemption to these limits as defined in the Annexes of Directive 2000/53/EC (ELV). Regarding the REACH Regulation, the information TE provides on SVHC in articles for this part number is based on the latest European Chemicals Agency (ECHA) 'Guidance on requirements for substances in articles' posted at this URL: <https://echa.europa.eu/guidance-documents/guidance-on-reach>

Compatible Parts



TE Part # 2-2151316-2
OCEAN_2.0_APPLICATOR-S-140F220O



TE Part # 2151316-2
OCEAN_2.0_APPLICATOR-S-140F220O



TE Part # 567253-1
HDM



TE Part # 63496-1
POWER RING TERMINAL TAB 16-10 AWG BR



TE Part # 7-2151316-2
OCEAN_2.0_APPLICATOR-S-140F220O



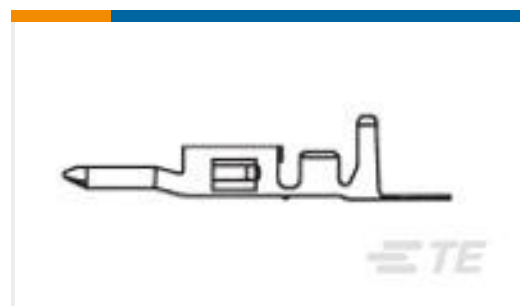
KIT
REPRESENTATION ONLY

TE Part # 7-2151316-7
OCEAN_2.0_SPARE_PART_KIT-140F220O

Customers Also Bought



TE Part #1971783-2
PTL RECEPTACLE CONTACT, 16-19 AWG, 2X22



TE Part #794955-1
VAL-U-LOK PIN BR SN 22-18AWG



TE Part #62754-1
SPLICE 14000-30000 .030 BR



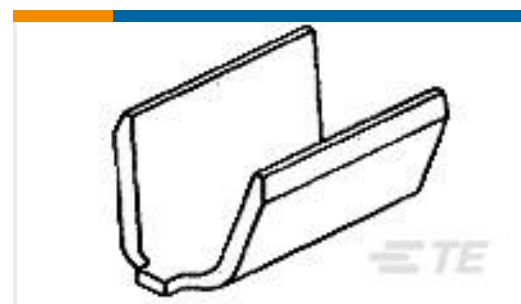
TE Part #63539-1
250 FASTON REC 14-10 AWG TPBR



TE Part #61399-1
312 FASTON REC 16-12 AWG TPBR



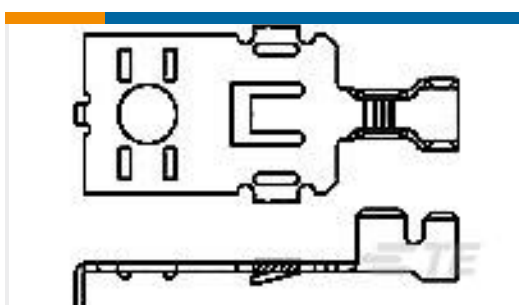
TE Part #63537-2
250 FASTON REC 18-14 TPBR



TE Part #63625-1
SPLICE 5000-16000 .025 BR



TE Part #63306-1
250 FASTON REC 18-14 AWG BR



TE Part #63166-4
POWER RING, TERMINAL 16-12 AWG BR



TE Part #63306-2
250 FASTON REC 18-14 AWG TPBR

Documents



Product Drawings

POWER RING, TERMINAL 16-12 AWG PTPBR

English

CAD Files

3D PDF

3D

Customer View Model

[ENG_CVM_CVM_63166-5_W1.2d_dxf.zip](#)

English

Customer View Model

[ENG_CVM_CVM_63166-5_W1.3d_igs.zip](#)

English

Customer View Model

[ENG_CVM_CVM_63166-5_W1.3d_stp.zip](#)

English

By downloading the CAD file I accept and agree to the [Terms and Conditions](#) of use.

Product Specifications

Product Specification

English

Power Ring, Housing and Terminal Assemblies

Japanese

Product Specification

Japanese

Power Ring, Housing and Terminal Assemblies

English

Product Specification

English

Product Environmental Compliance

TE Material Declaration

English