

5787441-1 ✓ ACTIVE

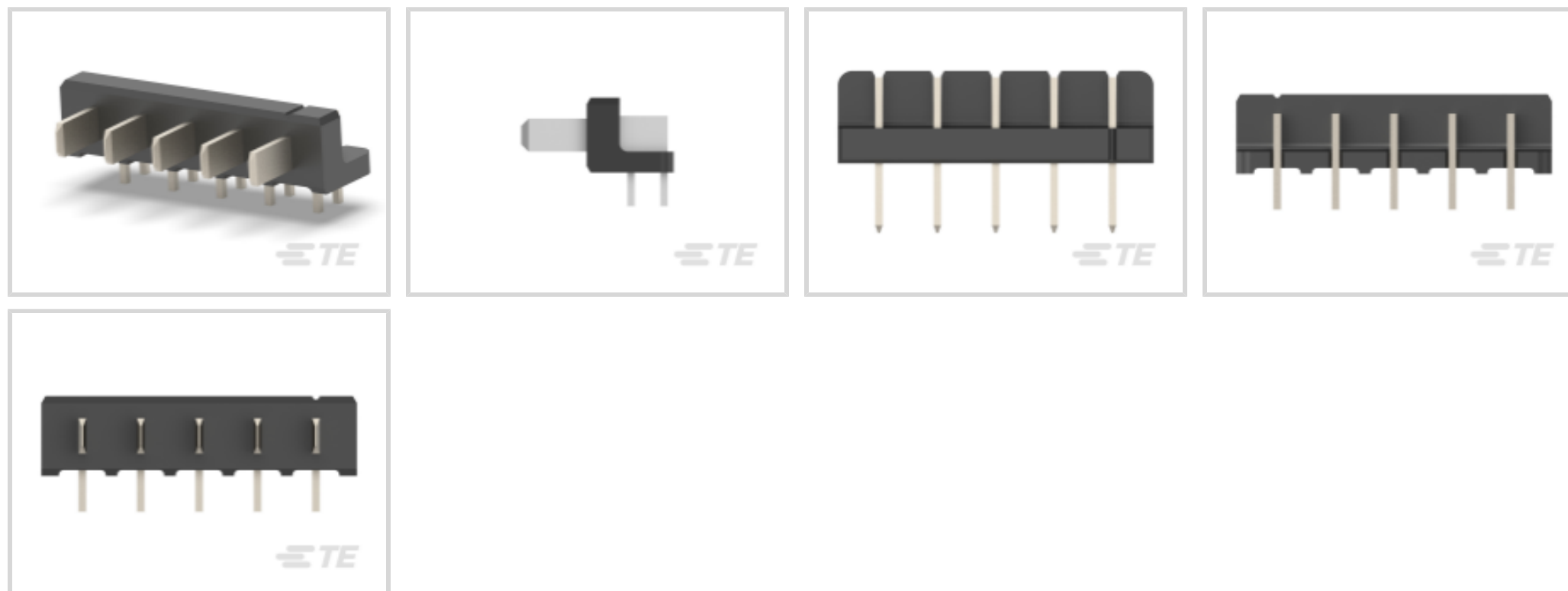


TE Internal #: 5787441-1

DC Jack Connectors, Board-to-Board, 5 Position, 5 mm [.197 in]
Centerline, Plug, 50 VDC, Right Angle, Printed Circuit Board, Power
& Signal

[View on TE.com >](#)

Connectors > PCB Connectors > Battery Connectors & Holders > DC Jack Connectors



Connector System: **Board-to-Board**

Number of Positions: **5**

Centerline (Pitch): **5 mm [.197 in]**

Connector & Housing Type: **Plug**

Operating Voltage: **50 VDC**

Features

Product Type Features

Connector System	Board-to-Board
Connector & Housing Type	Plug
Sealable	No
Connector & Contact Terminates To	Printed Circuit Board

Configuration Features

Number of Positions	5
PCB Mount Orientation	Right Angle

Electrical Characteristics

Operating Voltage	50 VDC
-------------------	--------

Contact Features

Contact Mating Area Plating Material Thickness	1.9 μm [74.8 μin]
Contact Current Rating (Max)	8.8 A

Mechanical Attachment

PCB Mount Retention	Without
---------------------	---------



Connector Mounting Type

Board Mount

Housing Features

Centerline (Pitch)

5 mm [.197 in]

Usage Conditions

Operating Temperature Range

-30 – 70 °C [-22 – 158 °F]

Operation/Application

Circuit Application

Power & Signal

Packaging Features

Packaging Quantity

121

Packaging Method

Tray

Product Compliance

For compliance documentation, visit the product page on [TE.com](https://www.te.com)>

EU RoHS Directive 2011/65/EU

Compliant

EU ELV Directive 2000/53/EC

Compliant

China RoHS 2 Directive MIIT Order No 32, 2016

No Restricted Materials Above Threshold

EU REACH Regulation (EC) No. 1907/2006

Current ECHA Candidate List: JUNE 2022 (224)

Candidate List Declared Against: JUNE 2022 (224)

Does not contain REACH SVHC

Halogen Content

Low Bromine/Chlorine - Br and Cl < 900 ppm per homogenous material. Also BFR /CFR/PVC Free

Solder Process Capability

Reflow solder capable to 260°C

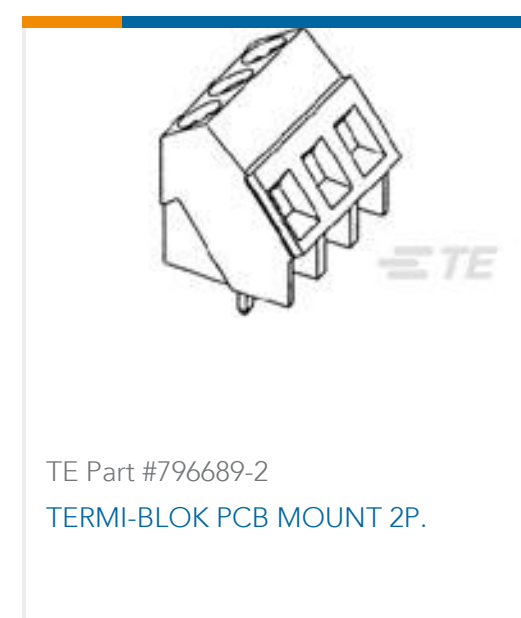
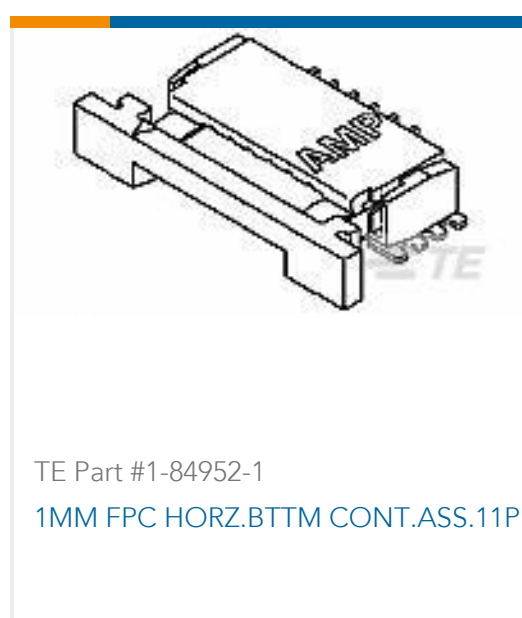
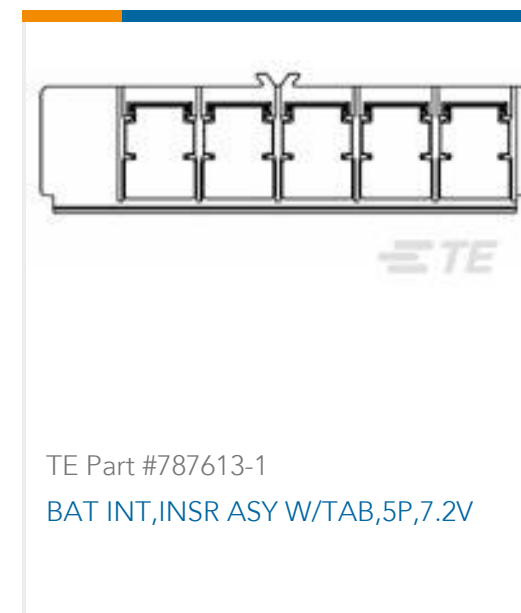
Product Compliance Disclaimer

This information is provided based on reasonable inquiry of our suppliers and represents our current actual knowledge based on the information they provided. This information is subject to change. The part numbers that TE has identified as EU RoHS compliant have a maximum concentration of 0.1% by weight in homogenous materials for lead, hexavalent chromium, mercury, PBB, PBDE, DBP, BBP, DEHP, DIBP, and 0.01% for cadmium, or qualify for an exemption to these limits as defined in the Annexes of Directive 2011/65/EU (RoHS2). Finished electrical and electronic equipment products will be CE marked as required by Directive 2011/65/EU. Components may not be CE marked. Additionally, the part numbers that TE has identified as EU ELV compliant have a maximum concentration of 0.1% by weight in homogenous materials for lead, hexavalent chromium, and mercury, and 0.01% for cadmium, or qualify for an exemption to these limits as defined in the Annexes of Directive 2000/53/EC (ELV). Regarding the REACH Regulation, the information TE provides on SVHC in articles for this part number is based on the latest European Chemicals Agency (ECHA) 'Guidance on requirements for substances in articles' posted at this URL: <https://echa.europa.eu/guidance-documents/guidance-on-reach>

Compatible Parts



Customers Also Bought



Documents

Product Drawings

HDR ASY,RA,NO KEY,STR TAIL

English

CAD Files

3D PDF

3D

Customer View Model

ENG_CVM_CVM_5787441-1_O.2d_dxf.zip



English

Customer View Model

[ENG_CVM_CVM_5787441-1_O.3d_igs.zip](#)

English

Customer View Model

[ENG_CVM_CVM_5787441-1_O.3d_stp.zip](#)

English

By downloading the CAD file I accept and agree to the [Terms and Conditions](#) of use.

Datasheets & Catalog Pages

[POWER_CONNECTORS_CATALOG_SEC09_LAPTOPS_PORTABLES](#)

English

[1-1773718-4_POWER_CONNECTORS_QRG_CN](#)

[1-1773718-5_POWER_CONNECTORS_QRG_TCN](#)

[1-1773718-6_POWER_CONNECTORS_QRG_JA](#)

Japanese

[2_PIECE_POWER_CONNECTORS_qrg_4-1773458-1](#)

English

Product Specifications

[Application Specification](#)

English

Product Environmental Compliance

[Product Compliance](#)

English

[Product Compliance](#)

English