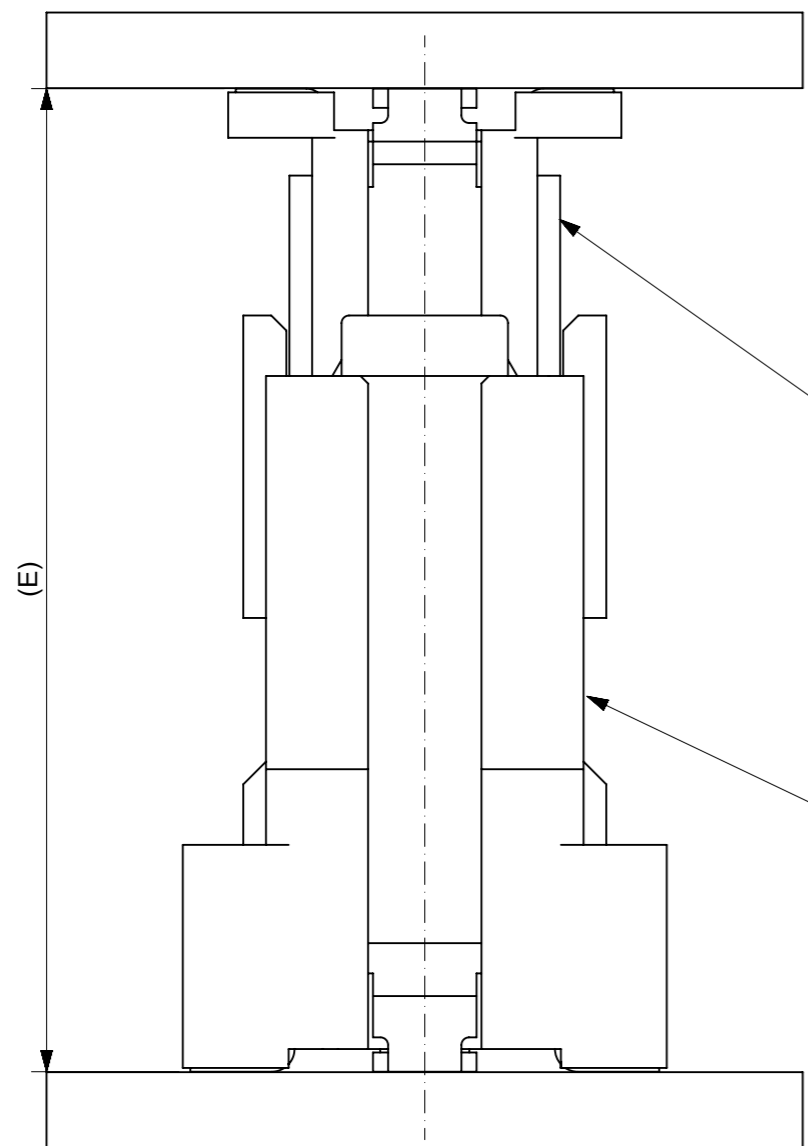


注) NOTES

- 材質  
MATERIAL  
ハウジング : ガラス入りLCP、黒色、UL94V-0  
HOUSING: LIQUID CRYSTAL POLYMER (LCP), GLASS FILLED, BLACK, UL94V-0  
ターミナル : 銅合金 (t=0.2)  
TERMINAL: COPPER ALLOY  
吸着カバー : ステンレス (t=0.2)  
VACUUM COVER: STAINLESS STEEL  
補強金具 : 銅合金 (t=0.25)  
FITTING NAIL: COPPER ALLOY
- メッキ仕様  
PLATING  
ターミナル : 接点部 : 金メッキ 0.25 マイクロメートル以上。  
TERMINAL CONTACT AREA : GOLD 0.25 MICROMETER MINIMUM.  
半田付け部 : 錫メッキ 1.0 マイクロメートル以上。  
SOLDER TAIL AREA : TIN 1.0 MICROMETER MINIMUM.  
下地メッキ : ニッケルメッキ 1.5 マイクロメートル以上。  
UNDER-PLATING : NICKEL 1.5 MICROMETER MINIMUM.  
補強金具 : 錫メッキ 1.0 マイクロメートル以上。  
FITTING NAIL TIN 1.0 MICROMETER MINIMUM.  
下地メッキ : ニッケルメッキ 1.0 マイクロメートル以上。  
UNDER-PLATING: NICKEL 1.0 MICROMETER MINIMUM.
- テールのバラツキ寸法  
TAIL COPLANARITY  
テール及び金具の平坦度は、0.1以下とする。  
TAIL AND FITTING NAIL COPLANARITY TO BE 0.1 MAXIMUM.
- エンボス対応済みの極数については、SD-55091-007を参照下さい。  
FOR THE EMBOSSED PACKAGE PRODUCTS, SEE SD-55091-007.
- 本製品は55091-\*\*\*2の鉛フリー品である。  
THIS PRODUCT IS LEAD FREE OF 55091-\*\*\*2.

無し WITHOUT	79.17	78.07	75.565	83.07	-	-	240
	66.47	65.37	62.865	70.37	55091-2074	55091-2075	200
	60.12	59.02	56.515	64.02	-	-	180
	53.77	52.67	50.165	57.67	55091-1674	-	160
	47.42	46.32	43.815	51.32	55091-1474	-	140
	41.07	39.97	37.465	44.97	55091-1274	-	120
	34.72	33.62	31.115	38.62	55091-1074	-	100
	31.55	30.45	27.94	35.45	55091-0974	-	90
有り WITH	28.37	27.27	24.765	32.27	55091-0874	-	80
	25.2	24.1	21.59	29.1	55091-0774	-	70
	22.02	20.92	18.415	25.92	55091-0674	-	60
	18.85	17.75	15.24	22.75	55091-0574	-	50
	15.67	14.57	12.065	19.57	55091-0474	-	40
	12.5	11.4	8.89	16.4	55091-0374	-	30
ハウジングロック HSG LOCK	9.32	8.22	5.715	13.22	55091-0274	-	20
						エンボス梱包 EMBOSSED PACKAGE	スティック梱包 STICK PACKAGE
					オーダー番号 ORDER NO.		

GENERAL TOLERANCES (UNLESS SPECIFIED)		THIS DRAWING CONTAINS INFORMATION THAT IS PROPRIETARY TO MOLEX ELECTRONIC TECHNOLOGIES, LLC AND SHOULD NOT BE USED WITHOUT WRITTEN PERMISSION	
DIMENSION UNITS		SCALE	
mm		-	
10 UNDER		GENERAL TOLERANCES (UNLESS SPECIFIED)	
± 0.2		ANGULAR TOL ± 30°	
10 OVER 30 UNDER		4 PLACES ± 0.2	
± 0.25		3 PLACES ± 0.25	
30 OVER		2 PLACES ± 0.3	
± 0.3		1 PLACE ±	
ANGULAR ± 3°		0 PLACES ±	
DRAFT WHERE APPLICABLE MUST REMAIN WITHIN DIMENSIONS		DRAFT WHERE APPLICABLE MUST REMAIN WITHIN DIMENSIONS	
		THIRD ANGLE PROJECTION	
		DRAWING	
		SERIES	
		MATERIAL NUMBER	
		CUSTOMER	
		SHEET NUMBER	
		A3-SIZE	
		55091	
		SEE CHART	
		GENERAL MARKET	
		1 OF 2	
		CURRENT REV DESC:	
		EC NO: 627249	
		DRWN: JFURUKAWA 2019/11/08	
		CHK'D: HSHIMOYAMA 2019/11/14	
		APPR: SHOSHIKAWA 2020/01/13	
		INITIAL REVISION:	
		DRWN: HKAWABATA 2004/03/31	
		APPR: MSASAO 2004/04/01	
		DOCUMENT NUMBER	
		SD-55091-006	
		DOC TYPE	
		PSD	
		DOC PART	
		001	
		REVISION	
		L	
DOCUMENT STATUS		P1	
RELEASE DATE		2020/01/13 17:10:36	



55091 series  
53625 series  
53647 series  
53649 series  
53627 series  
Plug

52885 series  
52901 series  
Receptacle

嵌合高さ一覧 Stacking Height variation			
○	6	52885 series	55091 series
	7		53625 series
	8		53647 series
	9		53649 series
	10		53627 series
○	12	52901 series	55091 series
	13		53625 series
	14		53647 series
	15		53649 series
	16		53627 series
本図製品該当高さ Height Application	嵌合高さ E Stacking Height	リセプタクル Receptacle	プラグ Plug

GENERAL TOLERANCES (UNLESS SPECIFIED)		THIS DRAWING CONTAINS INFORMATION THAT IS PROPRIETARY TO MOLEX ELECTRONIC TECHNOLOGIES, LLC AND SHOULD NOT BE USED WITHOUT WRITTEN PERMISSION	
10 UNDER	± 0.2	DIMENSION UNITS	SCALE
10 OVER 30 UNDER	± 0.25	mm	-
30 OVER	± 0.3	CURRENT REV DESC:	
ANGULAR	± 3 °	EC NO: 627249	
DRAFT WHERE APPLICABLE MUST REMAIN WITHIN DIMENSIONS		DRWN: JFURUKAWA 2019/11/08	
		CHK'D: HSHIMOYAMA 2019/11/14	
		APPR: SHOSHIKAWA 2020/01/13	
		INITIAL REVISION:	
		DRWN: HKAWABATA 2004/03/31	
		APPR: MSASAO 2004/04/01	
		THIRD ANGLE PROJECTION	DRAWING
			A3-SIZE
		SERIES	MATERIAL NUMBER
		55091	SEE CHART
		CUSTOMER	SHEET NUMBER
		GENERAL MARKET	2 OF 2

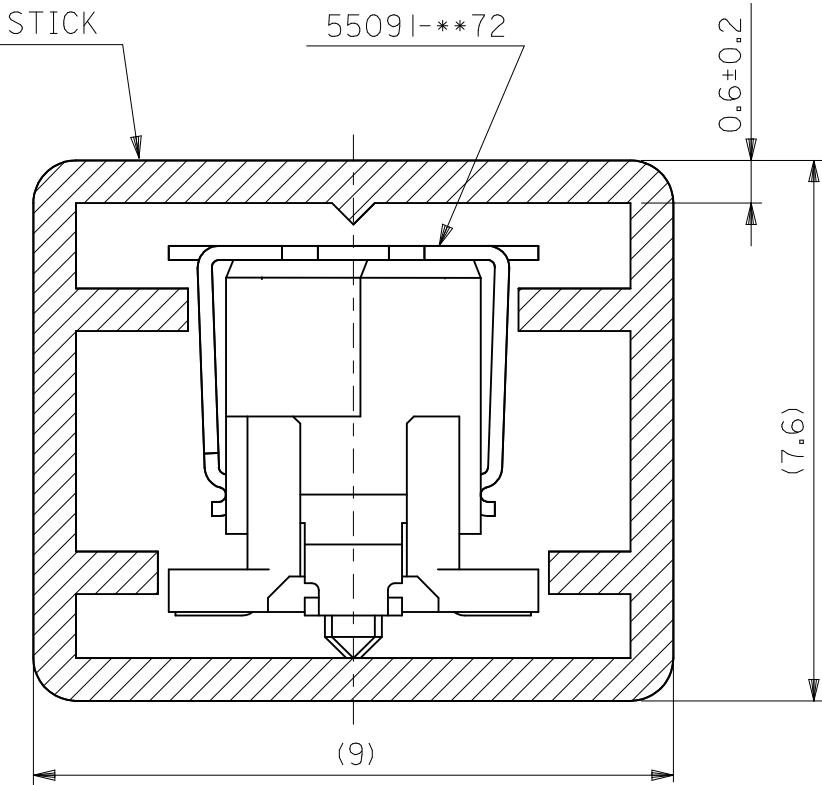
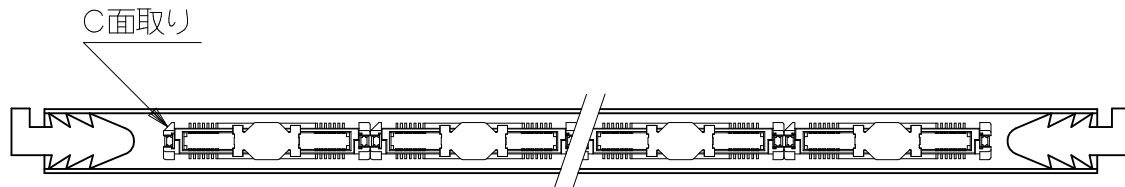
**molex**

0.635 PITCH B-TO-B  
PLUG HS'G COVER ASS'Y -LEAD FREE-

PRODUCT CUSTOMER DRAWING

DOCUMENT NUMBER	DOC TYPE	DOC PART	REVISION
SD-55091-006	PSD	001	L

7 6 5 4 3 2 1



△ スティック内での製品の向き。

注)  
NOTES.

1. スティック両端はキャップ止め。  
BOTH ENDS WITH CAPS.
2. 全長 : 600±2  
TOTAL LENGTH : 600±2
3. 量産対応済の極数については SD-55091-006  
を参照ください。  
FOR AVAIRABLE ITEMS,SEE SD-55091-006.
4. 本製品は 55091-\*\*\*5 の鉛フリー品である。  
THIS PRODUCT IS LEAD FREE OF 55091-\*\*\*5.

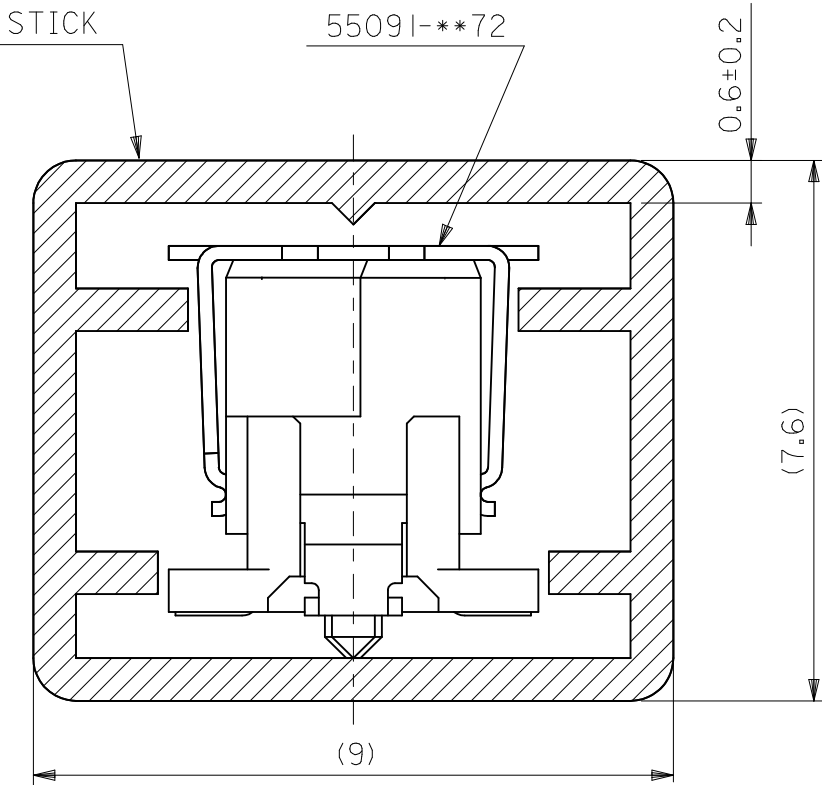
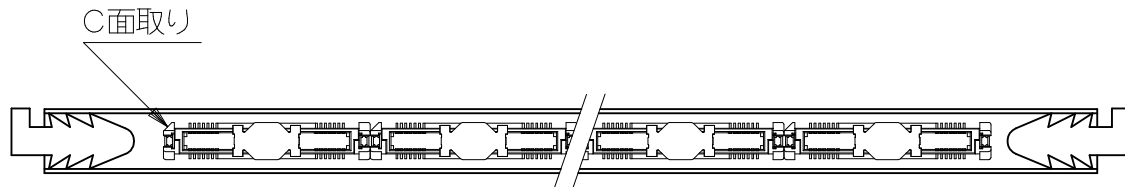
8	55091-2075	200
梱包数 QUANTITY	製品番号 MATERIAL NUMBER	極数 NO. OF CKT.
MODEL NO. 55091-**75	SCALE 4:1	
GENERAL TOLERANCES (UNLESS SPECIFIED)		DESIGN UNITS METRIC
DIMENSION STYLE MM ONLY		THIRD ANGLE PROJECTION

REVISED EC NO: J2017-0317 DRWN:GES CHKD: APPR:MSASAO	DESCRIPTION	2017/02/22	2017/03/15
	REV	DESCRIPTION	DATE
	0.25 UNDER	+	
	0.25 OVER 0.5 UNDER	±	
	0.5 OVER 0 UNDER	±	
	0 OVER 10 UNDER	±0.2	
10 OVER 30 UNDER	±0.25		
30 OVER	±0.3		
ANGULAR	±3 °		
DRAFT WHERE APPLICABLE MUST REMAIN WITHIN DIMENSIONS			

DRAWN BY H. KAWABATA	DATE 04/04/02	TITLE
CHECKED BY K. TOJO	DATE 04/04/02	50991-**72 STICK PACKAGING -LEAD FREE-
APPROVED BY M. SASAO	DATE 04/04/02	
MATERIAL NO.	DOCUMENT NO.	SHEET NO.
SEE TABLE	SD-55091-008	1 OF 1
THIS DRAWING CONTAINS INFORMATION THAT IS PROPRIETARY TO MOLEX ELECTRONIC TECHNOLOGIES, LLC AND SHOULD NOT BE USED WITHOUT WRITTEN PERMISSION		

**molex**

7 6 5 4 3 2 1



△ スティック内での製品の向き。

注) NOTES.

1. スティック両端はキャップ止め。  
BOTH ENDS WITH CAPS.
2. 全長 : 600±2  
TOTAL LENGTH : 600±2
3. 量産対応済の極数については SD-55091-006  
を参照ください。  
FOR AVAIRABLE ITEMS,SEE SD-55091-006.
4. 本製品は 55091-\*\*\*5 の鉛フリー品である。  
THIS PRODUCT IS LEAD FREE OF 55091-\*\*\*5.

8	55091-2075	200	
梱包数 QUANTITY	製品番号 MATERIAL NUMBER	極数 NO. OF CKT.	
MODEL NO. 55091-**75	SCALE 4:1		
GENERAL TOLERANCES (UNLESS SPECIFIED)		DESIGN UNITS METRIC	
DIMENSION STYLE MM ONLY		THIRD ANGLE PROJECTION	
DRAWN BY H. KAWABATA DATE 04/04/02		TITLE 50991-**72 STICK PACKAGING -LEAD FREE- <b>molex</b>	
CHECKED BY K. TOJO DATE 04/04/02			
APPROVED BY M. SASAO DATE 04/04/02			
MATERIAL NO.			
SEE TABLE		DOCUMENT NO. SD-55091-008	
DRAFT WHERE APPLICABLE MUST REMAIN WITHIN DIMENSIONS		SHEET NO. 1 OF 1	
SIZE A4		THIS DRAWING CONTAINS INFORMATION THAT IS PROPRIETARY TO MOLEX ELECTRONIC TECHNOLOGIES, LLC AND SHOULD NOT BE USED WITHOUT WRITTEN PERMISSION	

REVISED  
EC NO: J2017-0317  
DRAWN:GES  
CHKD:  
APPR:MSASAO

2017/02/22  
2017/03/15

DESCRIPTION  
REV A

6 5 4 3 2 1