



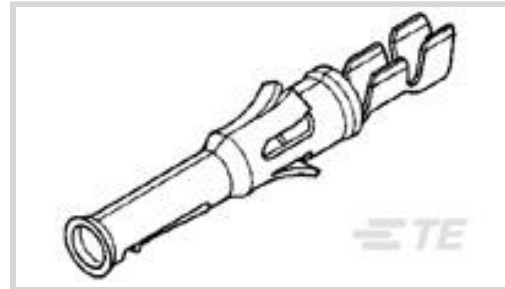
AMP | AMP Type IV

TE Internal #: 66580-2

Power Contacts, Contact, 250 VAC, 250 VDC, Tin, 18 – 16 AWG
 Wire Size, .8 – 1.4 mm² Wire Size, Wire-to-Wire, 1 Position, Wire & Cable, AMP Type IV

[View on TE.com >](#)

Connectors > Power Connectors > Power Contacts



Power Contact Type: **Contact**
 Operating Voltage: **250 VDC**
 Contact Mating Area Plating Material: **Tin**
 Wire Size: **18 – 16 AWG**

Features

Product Type Features

Power Contact Type	Contact
Connector System	Wire-to-Wire
Sealable	No
Connector & Contact Terminates To	Wire & Cable

Configuration Features

Number of Positions	1
---------------------	---

Electrical Characteristics

Test Current	13 A
Operating Voltage	250 VDC

Contact Features

Contact Mating Area Plating Material	Tin
Contact Current Rating (Max)	1.8 A
Contact Type	Socket
Contact Retention Within Housing	With
Mating Pin Diameter	1.57 mm[.062 in]
Contact Base Material	Brass
Contact Mating Area Plating Material Thickness	1.02 μm[40 μin]
Contact Mating Area Plating Material Finish	Semi-Bright
Wire Contact Termination Area Plating Thickness	1 – 3 μm[40 – 118 μin]



Wire Contact Termination Area Plating Material	Tin
Wire Contact Termination Area Plating Material Finish	Bright
Contact Orientation	Straight
Contact Size	16

Termination Features

Termination Method to Wire & Cable	Crimp
------------------------------------	-------

Mechanical Attachment

Connector Mounting Type	Panel Mount
Wire Insulation Support	With

Dimensions

Wire Size	.8 – 1.4 mm ²
Accepts Wire Insulation Diameter Range	2.03 – 2.54 mm [.08 – .1 in]

Usage Conditions

Operating Temperature Range	-55 – 90 °C [-67 – 194 °F]
-----------------------------	----------------------------

Operation/Application

Circuit Application	Signal
---------------------	--------

Packaging Features

Packaging Method	Strip
------------------	-------

Other

Wire/Cable Type	Discrete Wire
For Use With	G Series Connectors
Comment	Wire strip length-- 3.96 [.156] for all wire sizes.

Product Compliance

For compliance documentation, visit the product page on [TE.com](https://www.te.com)>

EU RoHS Directive 2011/65/EU	Compliant
EU ELV Directive 2000/53/EC	Compliant
China RoHS 2 Directive MIIT Order No 32, 2016	No Restricted Materials Above Threshold
EU REACH Regulation (EC) No. 1907/2006	Current ECHA Candidate List: JUNE 2022 (224) Candidate List Declared Against: JAN 2022 (223) SVHC > Threshold:

Not Yet Reviewed

Halogen Content

Low Halogen - Br, Cl, F, I < 900 ppm per homogenous material. Also BFR/CFR/PVC Free

Solder Process Capability

Not applicable for solder process capability

Product Compliance Disclaimer

This information is provided based on reasonable inquiry of our suppliers and represents our current actual knowledge based on the information they provided. This information is subject to change. The part numbers that TE has identified as EU RoHS compliant have a maximum concentration of 0.1% by weight in homogenous materials for lead, hexavalent chromium, mercury, PBB, PBDE, DBP, BBP, DEHP, DIBP, and 0.01% for cadmium, or qualify for an exemption to these limits as defined in the Annexes of Directive 2011/65/EU (RoHS2). Finished electrical and electronic equipment products will be CE marked as required by Directive 2011/65/EU. Components may not be CE marked. Additionally, the part numbers that TE has identified as EU ELV compliant have a maximum concentration of 0.1% by weight in homogenous materials for lead, hexavalent chromium, and mercury, and 0.01% for cadmium, or qualify for an exemption to these limits as defined in the Annexes of Directive 2000/53/EC (ELV). Regarding the REACH Regulation, the information TE provides on SVHC in articles for this part number is based on the latest European Chemicals Agency (ECHA) 'Guidance on requirements for substances in articles' posted at this URL: <https://echa.europa.eu/guidance-documents/guidance-on-reach>

Compatible Parts



TE Part # 58495-2
PROCRIMPER DIE ASSY MULTIMATE



TE Part # 91505-1
CCII TYPE III+ 24-16 ASSY



TE Part # 58495-1
PRO CRIMPER ASSY MULTIMATE



TE Part # 2305570-1
TERMINAL CUTTER, SIDE FEED



TE Part # 2151023-1
OCEAN_2.0_Applicator-S-080F1200



TE Part # 2-2151023-1
OCEAN_2.0_Applicator-S-080F1200



TE Part # 2-2151023-2
OCEAN_2.0_Applicator-S-080F1200



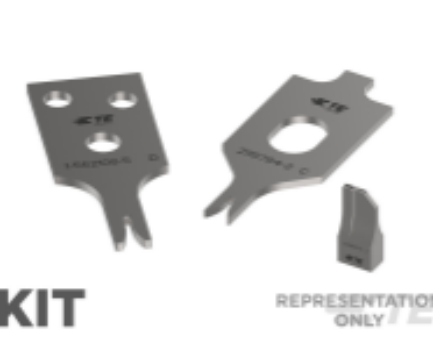
TE Part # 2151023-2
OCEAN_2.0_Applicator-S-080F1200



TE Part # 5-2151023-1
OCEAN_2.0_Applicator-S-080F1200

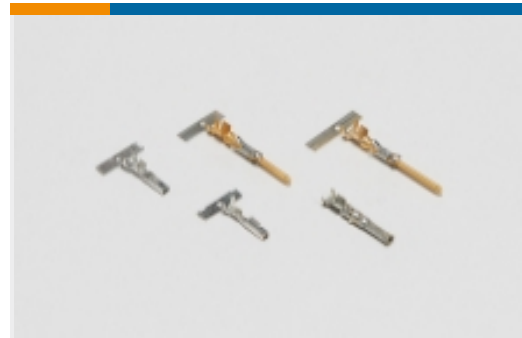


TE Part # 5-2151023-2
OCEAN_2.0_Applicator-S-080F1200



TE Part # 7-2151023-7
OCEAN_2.0_SPARE_PART_KIT-080F1200

Also in the Series | AMP Type IV



Power Contacts(52)

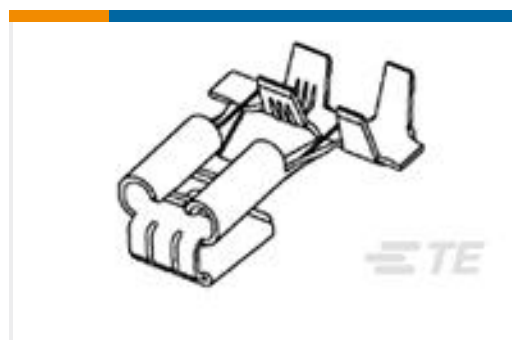
Customers Also Bought



TE Part #208717-1
RECEPT ASSY,SZ 14,CMC



TE Part #66098-2
III+ PIN,18-16,TIN-LEAD,STRIP



TE Part #151321-4
250 FASTON,FLAG,REC.,18-14 AWG,
TPBR



TE Part #1-1546670-4
14P.437" DR BARRIER,W/BND SCRW



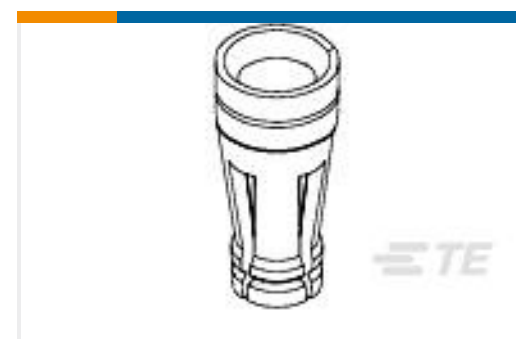
TE Part #66358-3
SKT ASSY,.062 DIA,TYPE III



TE Part #5748677-3
PLTD PLST CBL CLMP KIT,SZ 3



TE Part #320559
PIDG SPLICE 22-16COMM 22-18MIL



TE Part #6-1437514-6
8134-HC-5P2=CONTACT,AU PLT. 3.



TE Part #A37084-000
MP-381064-10-8A

Documents

Product Drawings

TYPE VI SKT CONT,MULTI-MATE

English

CAD Files

3D PDF

3D



Customer View Model

[ENG_CVM_CVM_66580-2_AN_c-66580-2-an.2d_dxf.zip](#)

English

Customer View Model

[ENG_CVM_CVM_66580-2_AN_c-66580-2-an.3d_igs.zip](#)

English

Customer View Model

[ENG_CVM_CVM_66580-2_AN_c-66580-2-an.3d_stp.zip](#)

English

By downloading the CAD file I accept and agree to the [Terms and Conditions](#) of use.

Product Specifications

[Application Specification](#)

Japanese

[Application Specification](#)

English

Instruction Sheets

[Instruction Sheet \(U.S.\)](#)

Japanese

[Instruction Sheet \(U.S.\)](#)

English

Agency Approvals

[Agency Approval Document](#)

English