

66741-6 ✓ ACTIVE

AMP

TE Internal #: 66741-6

Power Contacts, Contact, Gold, 10 AWG Wire Size, 5 – 6 mm<sup>2</sup> Wire Size, Wire-to-Wire, Wire & Cable, Crimp, Power, Socket, -55 – 125 °C [-67 – 257 °F]

[View on TE.com >](#)



Connectors > Power Connectors > Power Contacts



Power Contact Type: **Contact**

Contact Mating Area Plating Material: **Gold**

Wire Size: **5 – 6 mm<sup>2</sup>**

Connector System: **Wire-to-Wire**

## Features

### Product Type Features

Power Contact Type	Contact
Connector System	Wire-to-Wire
Connector & Contact Terminates To	Wire & Cable

### Electrical Characteristics

Test Current	35 A
--------------	------

### Contact Features

Contact Mating Area Plating Material	Gold
Contact Current Rating (Max)	35 A
Contact Type	Socket
Mating Tab Width	5.84 mm[.23 in]
Mating Tab Thickness	2.67 mm[.105 in]
Contact Base Material	Copper
Contact Mating Area Plating Material Thickness	.76 µm[30 µin]
Wire Contact Termination Area Plating Thickness	.25 µm[10 µin]
Wire Contact Termination Area Plating Material	Gold
Wire Contact Termination Area Plating Material Finish	Bright
Contact Orientation	Right Angle
Contact Underplating Material	Copper

### Termination Features



Termination Method to Wire & Cable	Crimp
------------------------------------	-------

### Mechanical Attachment

Wire Insulation Support	With
-------------------------	------

### Dimensions

Wire Size	5 – 6 mm <sup>2</sup>
Accepts Wire Insulation Diameter Range	4.83 – 5.59 mm [.19 – .22 in]

### Usage Conditions

Operating Temperature Range	-55 – 125 °C [-67 – 257 °F]
-----------------------------	-----------------------------

### Operation/Application

Circuit Application	Power
---------------------	-------

### Packaging Features

Packaging Method	Bag
Packaging Quantity	100

### Other

Wire/Cable Type	Discrete Wire
For Use With	CPC Connectors, G Series Connectors, M Series Connectors

## Product Compliance

[For compliance documentation, visit the product page on TE.com>](#)

EU RoHS Directive 2011/65/EU	Compliant
EU ELV Directive 2000/53/EC	Compliant
China RoHS 2 Directive MIIT Order No 32, 2016	No Restricted Materials Above Threshold
EU REACH Regulation (EC) No. 1907/2006	Current ECHA Candidate List: JUNE 2022 (224) Candidate List Declared Against: JUNE 2022 (224) Does not contain REACH SVHC
Halogen Content	Low Halogen - Br, Cl, F, I < 900 ppm per homogenous material. Also BFR/CFR/PVC Free
Solder Process Capability	Not applicable for solder process capability

#### Product Compliance Disclaimer


This information is provided based on reasonable inquiry of our suppliers and represents our current actual knowledge based on the information they provided. This information is subject to change. The part numbers that TE has identified as

EU RoHS compliant have a maximum concentration of 0.1% by weight in homogenous materials for lead, hexavalent chromium, mercury, PBB, PBDE, DBP, BBP, DEHP, DIBP, and 0.01% for cadmium, or qualify for an exemption to these limits as defined in the Annexes of Directive 2011/65/EU (RoHS2). Finished electrical and electronic equipment products will be CE marked as required by Directive 2011/65/EU. Components may not be CE marked. Additionally, the part numbers that TE has identified as EU ELV compliant have a maximum concentration of 0.1% by weight in homogenous materials for lead, hexavalent chromium, and mercury, and 0.01% for cadmium, or qualify for an exemption to these limits as defined in the Annexes of Directive 2000/53/EC (ELV). Regarding the REACH Regulation, the information TE provides on SVHC in articles for this part number is based on the latest European Chemicals Agency (ECHA) 'Guidance on requirements for substances in articles' posted at this URL: <https://echa.europa.eu/guidance-documents/guidance-on-reach>

## Compatible Parts



TE Part # 206037-2  
CPC PLUG ASSEMBLY SIZE 17-3



TE Part # 90384-1  
HHHT TYPE XII MALE FEMALE 10 ASSY



TE Part # 69710-1  
C-HEAD FRAME W/O DIES



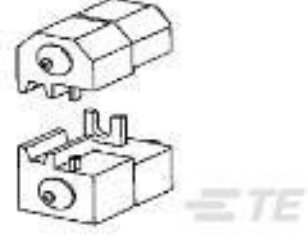
TE Part # 7-1579008-6  
UNLOCKING TOOL



TE Part # 66259-2  
MALE CONTACT ASSY. (L.P.)



TE Part # 356304-1  
TOOL HOLDER ASSY, STRHT ACTION



TE Part # 90140-1  
TYPE XII MALE FEMALE 10 DIE SET

## Customers Also Bought



TE Part # 206426-1  
CPC PLUG ASSEMBLY SIZE 17-3



TE Part # 208485-1  
CMC RECPT ASSEMBLY SIZE 28



TE Part # 2301994-2  
RJ45 JACK INT.MAG. 10/100 LED 1X1 INV.



TE Part # 2176081-1  
EP 1W (S) 10R 5%



TE Part # YDTS26W23-21PNV001  
PLUG ASSY



TE Part # 206138-8  
CLAMP CBL SHELL SIZE 23



TE Part # 66259-5  
MALE CONTACT ASSY. (L.P.)



TE Part # 66262-1  
MALE CONTACT ASSY. (L.P.)



## Documents

### Product Drawings

[TYPE XII FEMALE CONT \(L.P.\)](#)

English

### CAD Files

Customer View Model

[ENG\\_CVM\\_CVM\\_66741-6\\_W.2d\\_dxf.zip](#)

English

[3D PDF](#)

3D

Customer View Model

[ENG\\_CVM\\_CVM\\_66741-6\\_W.3d\\_igs.zip](#)

English

Customer View Model

[ENG\\_CVM\\_CVM\\_66741-6\\_W.3d\\_stp.zip](#)

English

By downloading the CAD file I accept and agree to the [Terms and Conditions](#) of use.

### Datasheets & Catalog Pages

[AMP Circular Connectors for Commercial Signal & Power Applications](#)

English

[Power Contacts](#)

English

[M\\_SERIES\\_PIN\\_AND\\_SOCKET\\_CONNECTORS](#)

English

[Products for Aerospace and Defense](#)

English

### Product Specifications

[Application Specification](#)

English

### Product Environmental Compliance

[MD\\_66741-6\\_040520122255](#)

English

[MD\\_66741-6\\_040520122255](#)



English