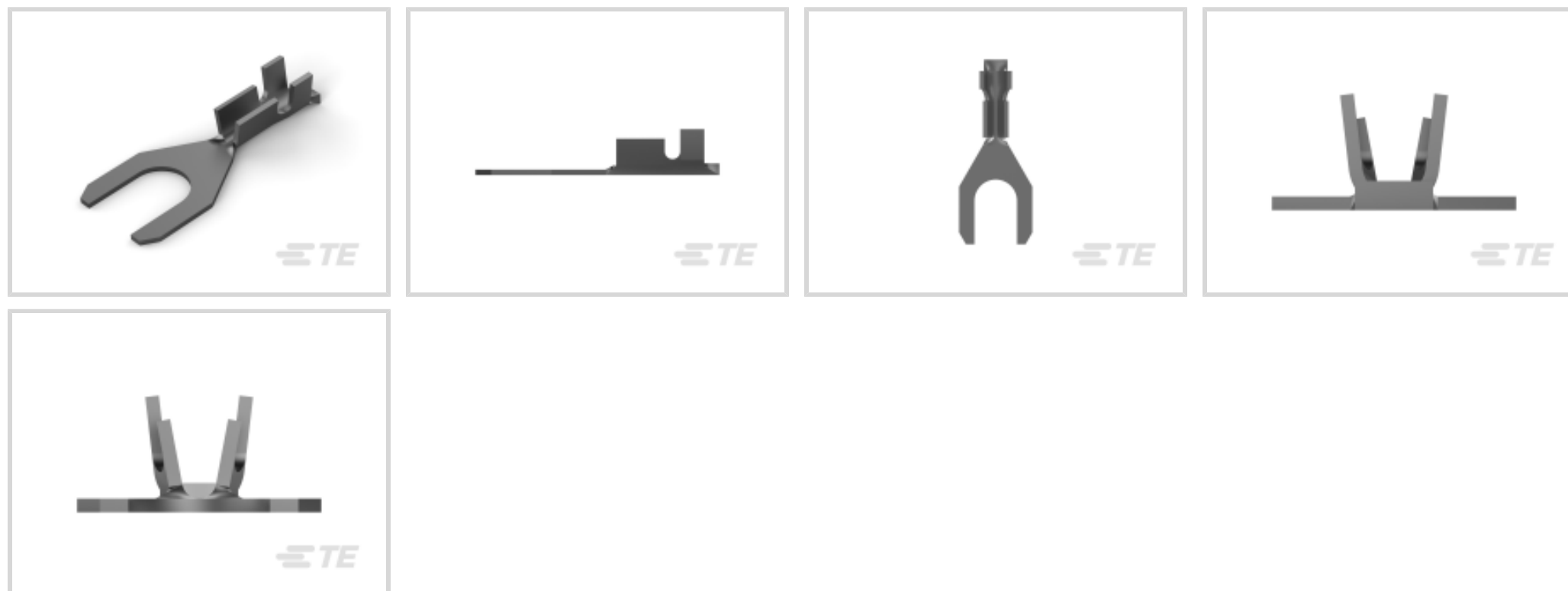


TE Internal #: 60445-2

Ring Terminals &amp; Spade Terminals, Spade Tongue, 24 – 20 AWG

Wire Size, .2 – .6 mm<sup>2</sup> Wire Size, 404 – 1021 CMA Wire Size, Stud Size M3.5 / #6[View on TE.com >](#)

Terminals &amp; Splices &gt; Ring Terminals &amp; Spade Terminals

Ring & Spade Terminal Type: **Spade Tongue**Wire Size: **404 – 1021 CMA**Stud Size: **#6, M3.5**

## Features

### Product Type Features

Shape Description	Square Spade
Stud Size	#6, M3.5
Sealable	No
Compatible With Discrete Wire Type	Stranded
Wire Insulation Support Retention Type	Insulation Support

### Configuration Features

Terminal Angle	180 °
----------------	-------

### Contact Features

Contact Base Material	Brass
Ring & Spade Terminal Type	Spade Tongue
Barrel Type	Open
Terminal Orientation	Straight
Terminal Plating Material	Tin
Contact Underplating Material	Nickel

### Mechanical Attachment

Wire Insulation Support	With
-------------------------	------



### Dimensions

	.048 in
Wire Size	404 – 1021 CMA
Stud Diameter	3.51 mm[.138 in]
Tongue Thickness	.36 mm[.014 in]
Overall Product Length	14.99 mm[.59 in]
Barrel Inside Diameter	.89 mm, 1.65 mm[.035 in][.065 in]
Accepts Wire Insulation Diameter (Max)	1.98 mm[.078 in]
Accepts Wire Insulation Diameter Range	1.22 – 1.98 mm[.048 – .078 in]

### Usage Conditions

Insulation Option	Uninsulated
Operating Temperature Range	-40 – 110 °C[-40 – 230 °F]

### Operation/Application

Compatible With Wire Base Material	Copper
Heavy Duty	No

### Industry Standards

Government Qualified	No
----------------------	----

### Packaging Features

Packaging Quantity	25000
Packaging Method	Strip/Reel

### Product Compliance

[For compliance documentation, visit the product page on TE.com>](#)

EU RoHS Directive 2011/65/EU	Compliant
EU ELV Directive 2000/53/EC	Compliant
China RoHS 2 Directive MIIT Order No 32, 2016	No Restricted Materials Above Threshold
EU REACH Regulation (EC) No. 1907/2006	Current ECHA Candidate List: JUNE 2022 (224) Candidate List Declared Against: JAN 2022 (223) SVHC > Threshold: Not Yet Reviewed
Halogen Content	Low Halogen - Br, Cl, F, I < 900 ppm per homogenous material. Also BFR/CFR/PVC Free

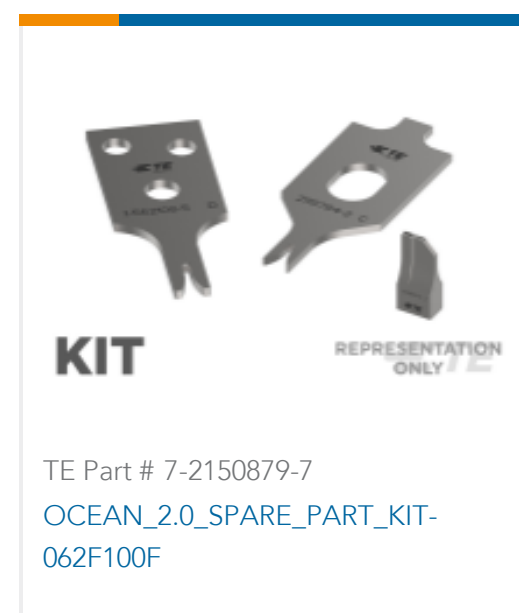
Solder Process Capability

Not applicable for solder process capability

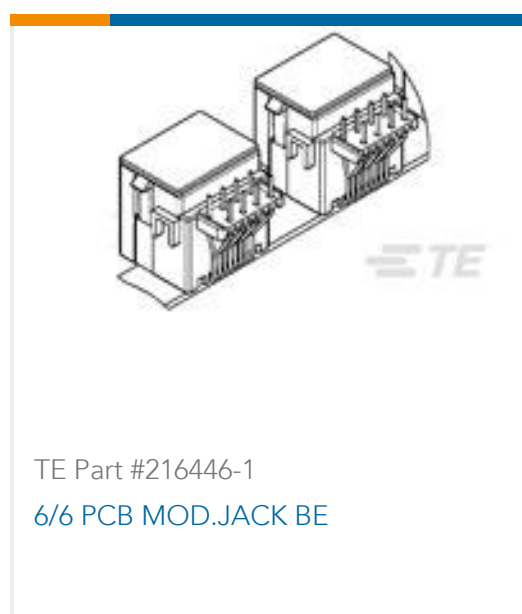
## Product Compliance Disclaimer

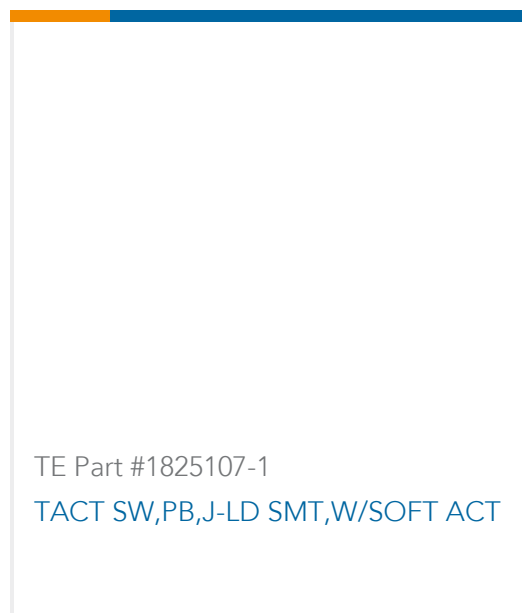
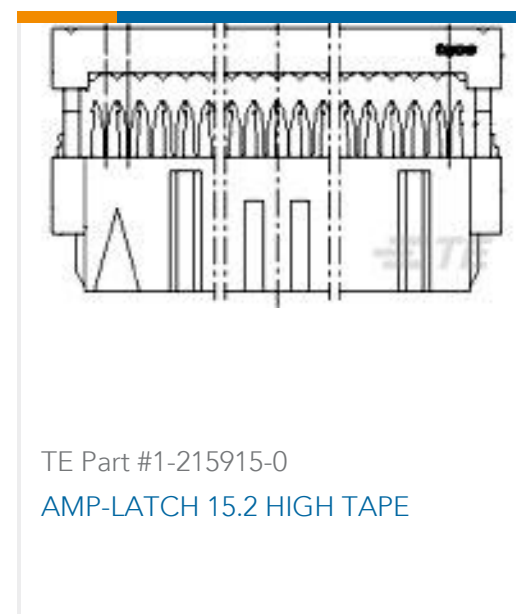
This information is provided based on reasonable inquiry of our suppliers and represents our current actual knowledge based on the information they provided. This information is subject to change. The part numbers that TE has identified as EU RoHS compliant have a maximum concentration of 0.1% by weight in homogenous materials for lead, hexavalent chromium, mercury, PBB, PBDE, DBP, BBP, DEHP, DIBP, and 0.01% for cadmium, or qualify for an exemption to these limits as defined in the Annexes of Directive 2011/65/EU (RoHS2). Finished electrical and electronic equipment products will be CE marked as required by Directive 2011/65/EU. Components may not be CE marked. Additionally, the part numbers that TE has identified as EU ELV compliant have a maximum concentration of 0.1% by weight in homogenous materials for lead, hexavalent chromium, and mercury, and 0.01% for cadmium, or qualify for an exemption to these limits as defined in the Annexes of Directive 2000/53/EC (ELV). Regarding the REACH Regulation, the information TE provides on SVHC in articles for this part number is based on the latest European Chemicals Agency (ECHA) 'Guidance on requirements for substances in articles' posted at this URL: <https://echa.europa.eu/guidance-documents/guidance-on-reach>

## Compatible Parts



## Customers Also Bought





## Documents

### Product Drawings

[SPADE .137 24-20 AWG TPBR](#)

English

### CAD Files

[3D PDF](#)

3D

**Customer View Model**

[ENG\\_CVM\\_CVM\\_60445-2\\_P\\_c-60445-2-p.2d\\_dxf.zip](#)

English

**Customer View Model**

[ENG\\_CVM\\_CVM\\_60445-2\\_P\\_c-60445-2-p.3d\\_igs.zip](#)

English

**Customer View Model**

[ENG\\_CVM\\_CVM\\_60445-2\\_P\\_c-60445-2-p.3d\\_stp.zip](#)

English

By downloading the CAD file I accept and agree to the [Terms and Conditions](#) of use.

### Product Specifications

[Product Specification](#)

English

[Product Specification](#)

English

### Agency Approvals

[Agency Approval Document](#)

English

60445-2

Ring Terminals & Spade Terminals, Spade Tongue, 24 – 20 AWG Wire Size, .2 – .6  
mm<sup>2</sup> Wire Size, 404 – 1021 CMA Wire Size, Stud Size M3.5 / #6

