

DWG. 10.
SD-57964-002

SIMILAR ITEM

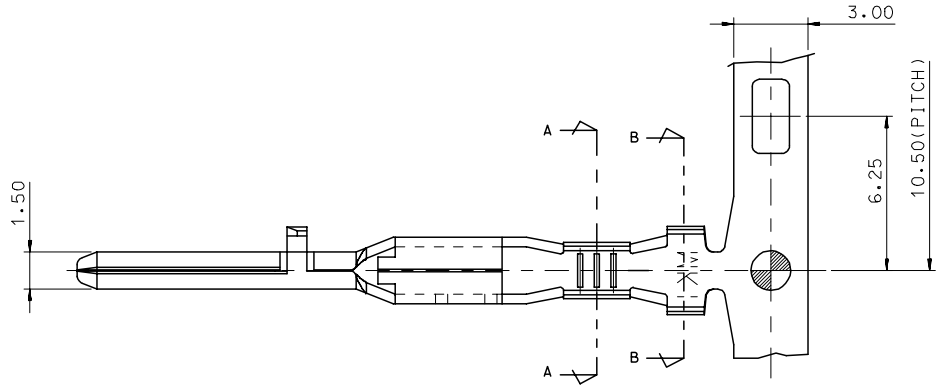
PROJECT NO.

C

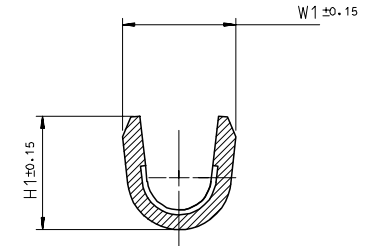
B

DO NOT SCALE DRAWING
DIMENSION IN METRIC

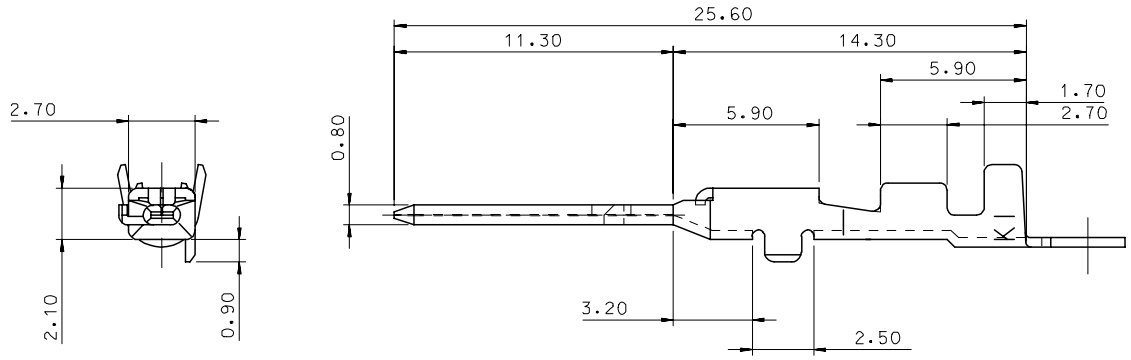
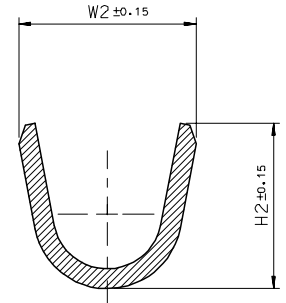
ENG.NO	MATERIAL NO.	DESCRIPTION	DIMENSION						WIRE RANGE mm ²
			W1	H1	R1	W2	H2	R2	
57964-9702	579649702	.060 MALE TER'L(S)	2.3	2.3	R0.65	3.6	3.35	R0.90	AVS(CAVS) 0.3,0.5
57964-9802	579649802	.060 MALE TER'L(M)	2.8	2.95	R0.9	4.2	3.9	R1.3	AVS(CAVS) 0.5,0.85,1.25
57964-9902	579649902	.060 MALE TER'L(L)	3.8	4.1	R1.1	4.5	4.0	R1.4	AVSS 2f



SECTION A-A
(S=10:1)



SECTION B-B
(S=10:1)



- MATERIAL: BRASS, $\pm=0.35\pm0.02$
- FINISH: PRE-TIN

CHANGE OF BOARD EC NO.: KOR2006-0039 DRWN: S.Y.PARK 05/09/20 CHK: B.C.YOON 05/09/20 APPR: C.W.LEE 05/09/20	QUALITY SYMBOLS MAJOR = CRITICAL =	GENERAL TOLERANCES: (UNLESS SPECIFIED)		SCALE 5:1	DESIGN UNITS <input checked="" type="checkbox"/> mm <input type="checkbox"/> INCH	THIRD ANGLE PROJECTION	DIMENSIONS: <input type="checkbox"/> mm <input type="checkbox"/> INCH <input type="checkbox"/> mm <input checked="" type="checkbox"/> ONLY	SHT	REV	
		4 PLACES	±0.	±.	DRAWN BY & DATE H.C.RHO 011229	TITLE: .060 MALE TERMINAL				
		3 PLACES	±0.	±.	CHECKED BY & DATE H.C.RHO 011229	MOLEX INCORPORATED KOREA				
		2 PLACES	±0.3	±.	APPROVED BY & DATE C.W.LEE 011229	CAD FILENAME S060MT	MATERIAL NO. SEE TABLE	DRAWING NO. SD-57964-002	SHEET NO. 1 OF 1	SIZE B
1 PLACE	±0.	±.	ANGULAR: ± °	THIS DRAWING CONTAINS INFORMATION THAT IS PROPRIETARY TO MOLEX INCORPORATED AND SHOULD NOT BE USED WITHOUT WRITTEN PERMISSION.						
REV	DESCRIPTION	DRAFT WHERE APPLICABLE MUST REMAIN WITHIN DIMENSIONS								

F

E

D

C

B

A