

63128-3 ✓ ACTIVE

MAG-MATE

TE Internal #: 63128-3

Magnet Wire Terminals, Tab, Mating Tab Width .25 in [6.35 mm],

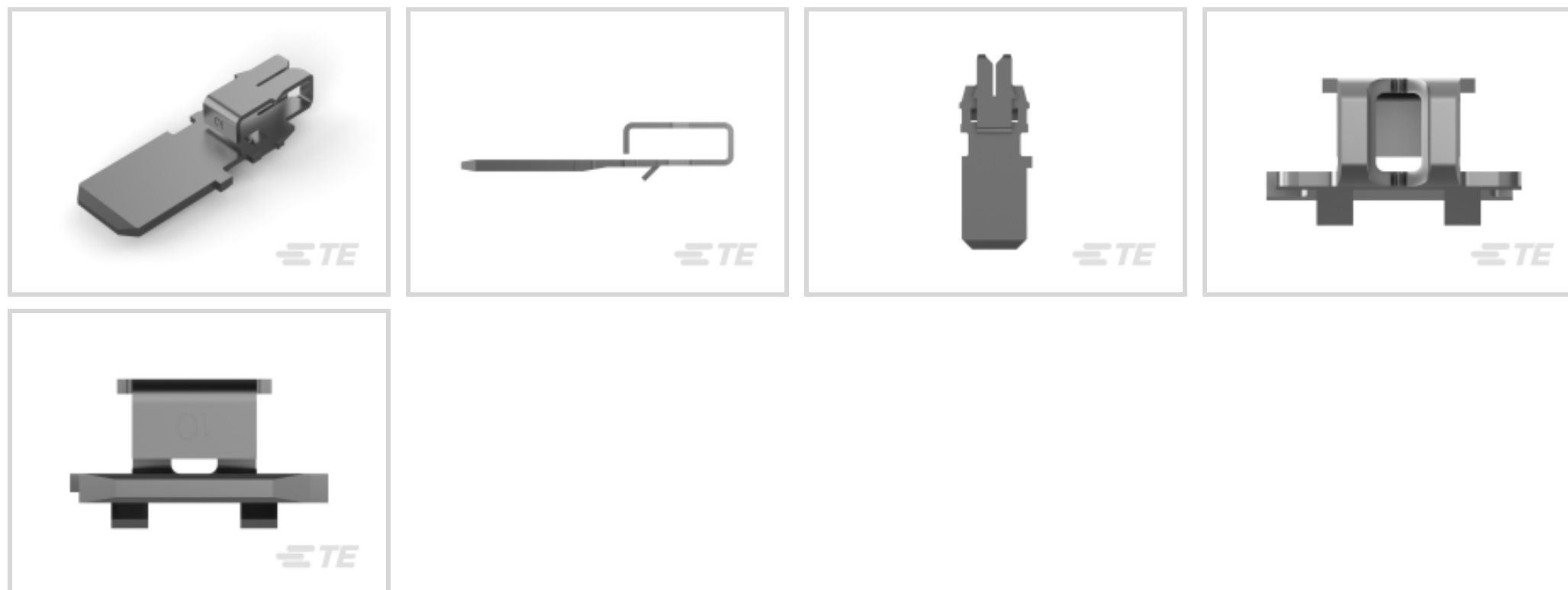
Size 3, .36 – .58 mm Magnet Wire, 27 – 23 AWG Magnet Wire,

MAG-MATE

[View on TE.com >](#)



Terminals & Splices > Magnet Wire Terminals



Magnet Wire Terminal Type: **Tab**

Mating Tab Width: **6.35 mm [.25 in]**

Mating Tab Thickness: **.8 mm [.032 in]**

Compatible With Cavity Size: **Size 3**

Magnet Wire Size: **.36 – .58 mm**

Features

Product Type Features

Compatible With Discrete Wire Type	Magnet Wire, Solid
------------------------------------	--------------------

Body Features

Body Shape	Wide
------------	------

Compatible With Cavity Size	Size 3
-----------------------------	--------

Contact Features

Magnet Wire Terminal Type	Tab
---------------------------	-----

Mating Tab Width	6.35 mm[.25 in]
------------------	-----------------

Mating Tab Thickness	.8 mm[.032 in]
----------------------	----------------

Terminal Plating Material	Tin
---------------------------	-----

Terminal Orientation	Straight
----------------------	----------

Termination Features

Termination Method to Wire & Cable	Insulation Displacement (IDC)
------------------------------------	-------------------------------

Mechanical Attachment

Contact Mating Retention Type	Dimple
-------------------------------	--------

Dimensions

Terminal Height	7.87 mm[.3 in]
Magnet Wire Size	27 – 23 AWG
Stock Thickness (Magnet Wire Side)	.41 mm[.016 in]
Overall Product Length	16 mm[.63 in]

Usage Conditions

Insulation Option	Uninsulated
-------------------	-------------

Operation/Application

Compatible With Wire Base Material	Aluminum, Copper
------------------------------------	------------------

Identification Marking

Identification Number	10
-----------------------	----

Packaging Features

Packaging Quantity	7000
Packaging Method	Reel, Reel/Carton

Other

Comment	Half hard temper brass, Two magnet wires may be terminated in the same terminal slot if diameters are equal., With Latches
---------	--

Product Compliance

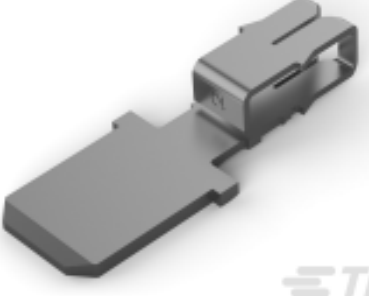
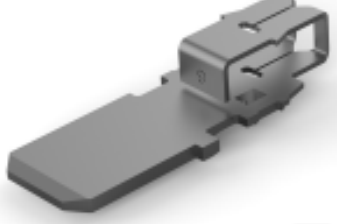
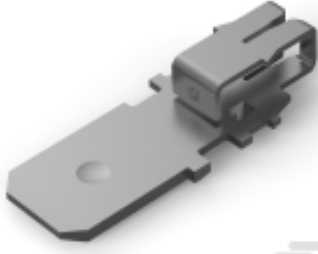

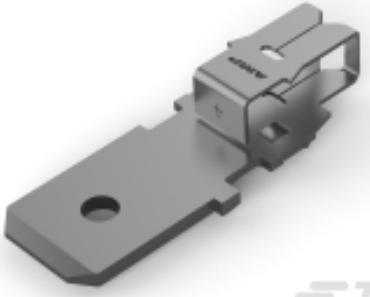
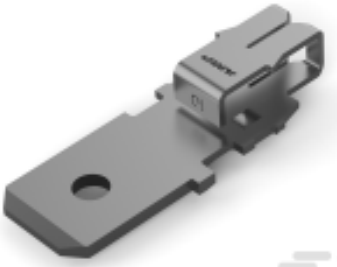
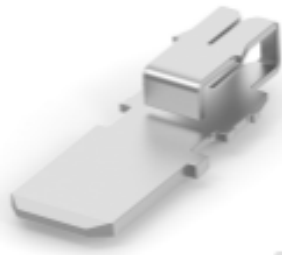
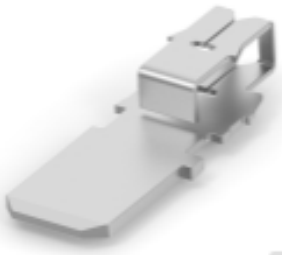
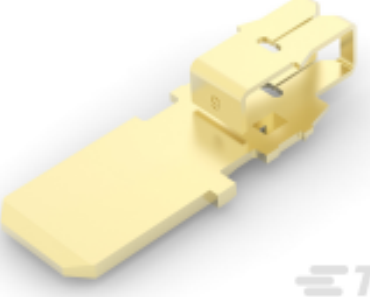
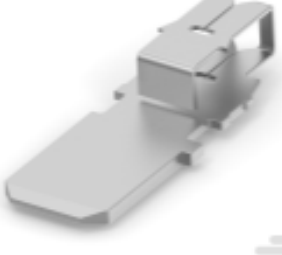
[For compliance documentation, visit the product page on TE.com>](#)

EU RoHS Directive 2011/65/EU	Compliant
EU ELV Directive 2000/53/EC	Compliant
China RoHS 2 Directive MIIT Order No 32, 2016	No Restricted Materials Above Threshold
EU REACH Regulation (EC) No. 1907/2006	Current ECHA Candidate List: JUNE 2022 (224) Candidate List Declared Against: JAN 2022 (223) SVHC > Threshold: Not Yet Reviewed
Halogen Content	Low Halogen - Br, Cl, F, I < 900 ppm per homogenous material. Also BFR/CFR/PVC Free
Solder Process Capability	Not applicable for solder process capability

Product Compliance Disclaimer

This information is provided based on reasonable inquiry of our suppliers and represents our current actual knowledge based on the information they provided. This information is subject to change. The part numbers that TE has identified as EU RoHS compliant have a maximum concentration of 0.1% by weight in homogenous materials for lead, hexavalent chromium, mercury, PBB, PBDE, DBP, BBP, DEHP, DIBP, and 0.01% for cadmium, or qualify for an exemption to these limits as defined in the Annexes of Directive 2011/65/EU (RoHS2). Finished electrical and electronic equipment products will be CE marked as required by Directive 2011/65/EU. Components may not be CE marked. Additionally, the part numbers that TE has identified as EU ELV compliant have a maximum concentration of 0.1% by weight in homogenous materials for lead, hexavalent chromium, and mercury, and 0.01% for cadmium, or qualify for an exemption to these limits as defined in the Annexes of Directive 2000/53/EC (ELV). Regarding the REACH Regulation, the information TE provides on SVHC in articles for this part number is based on the latest European Chemicals Agency (ECHA) 'Guidance on requirements for substances in articles' posted at this URL: <https://echa.europa.eu/guidance-documents/guidance-on-reach>

Compatible Parts

 <p>TE Part # 62652-1 MAG-MATE 250FTAB 27-23 016TPBR</p>	 <p>TE Part # 63132-3 TAB, .250 FASTON,MAG-MATE</p>	 <p>TE Part # 63601-2 MAG-MATE 250 FAST TAB 22-20</p>	 <p>TE Part # 63571-2 TAB 250 FASTON MAG-MATE</p>
 <p>TE Part # 63133-3 TAB, .250 FASTON,MAG-MATE</p>	 <p>TE Part # 63571-1 MAG-MATE 250 F-TAB 27-23 TPBR</p>	 <p>TE Part # 63128-1 MAG-MATE 250 F TAB 27-23 TPBR</p>	 <p>TE Part # 63132-1 MAG-MATE 250 F TAB 30-27 TPBR</p>
 <p>TE Part # 63132-2 MAG-MATE 250 F TAB 30-27 BR</p>	 <p>TE Part # 63133-1 MAG-MATE 250 F TAB 33-31 TPBR</p>		

Also in the Series | **MAG-MATE**



Insertion & Extraction Tools(8)

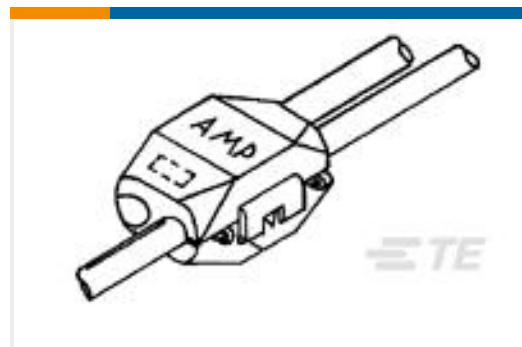
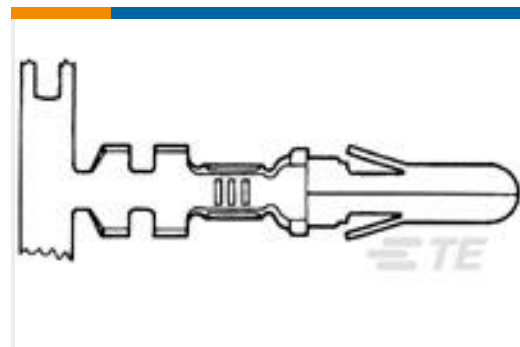
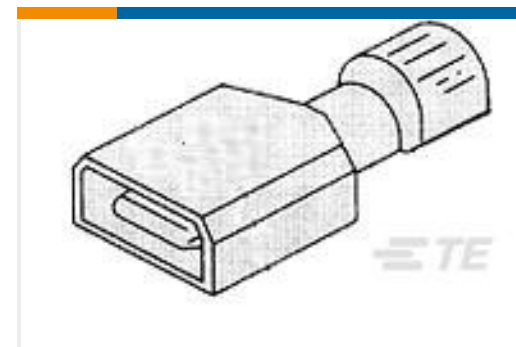
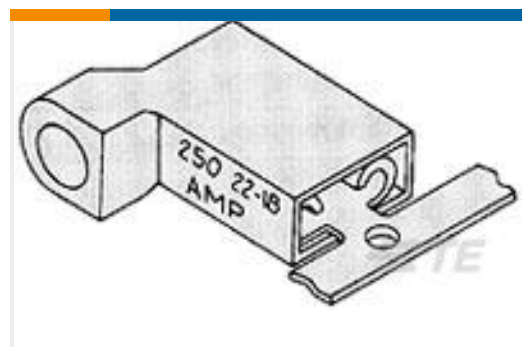
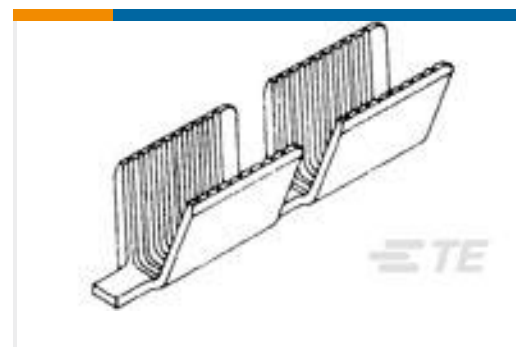
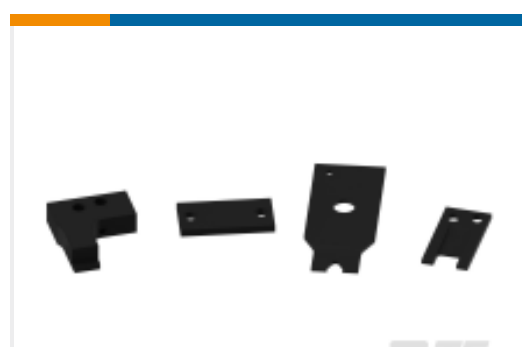
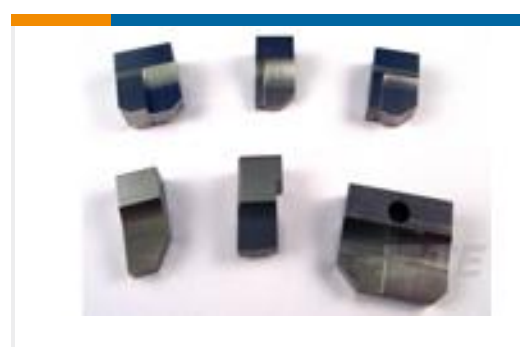


Magnet Wire Terminals(464)



PCB Terminals(1)

Customers Also Bought

TE Part #53440-2
ELECTRO-TAP, 20-18 AWG RUN&TAPTE Part #61627-1
.140 DIA PIN 20-14 PTPBRTE Part #42721-1
RING TONGUE CRIMP 20-16 AWG BRTE Part #2-520102-2
ULTRA-FAST 250 ASSEMBLY TAB 22-18 AWG BRTE Part #2-520334-2
ULTRAFast 187 ASSY FLAG REC 22-18 TPBRTE Part #8-1601046-1
331-101-000=WIRE2WIRE,STD,SMZTE Part #62306-2
AMVAR SPLC 1500-5000 020TPBRTE Part #2-520183-2
ULTRA-FAST 250 ASY REC 22-18 TPBRTE Part #387007
SHEAR BLADE-SPLICETE Part #455714-1
ANVIL

Documents

Product Drawings

TAB, .250 FASTON,MAG-MATE

English

CAD Files

3D PDF

3D

Customer View Model

ENG_CVM_CVM_63128-3_AG.2d_dxf.zip



English

Customer View Model

[ENG_CVM_CVM_63128-3_AG.3d_igs.zip](#)

English

Customer View Model

[ENG_CVM_CVM_63128-3_AG.3d_stp.zip](#)

English

By downloading the CAD file I accept and agree to the [Terms and Conditions](#) of use.

Datasheets & Catalog Pages

[Magnet Wire Terminals & Splices](#)

English

Product Specifications

[Application Specification](#)

English

[Application Specification](#)

Japanese

[MAG-MATE Standard Series .300 Box Height Special Latch Type Terminal](#)

Japanese

Product Environmental Compliance

[MD_63128-3_10052017634_dmtec](#)

English

[MD_63128-3_10052017634_dmtec](#)

English