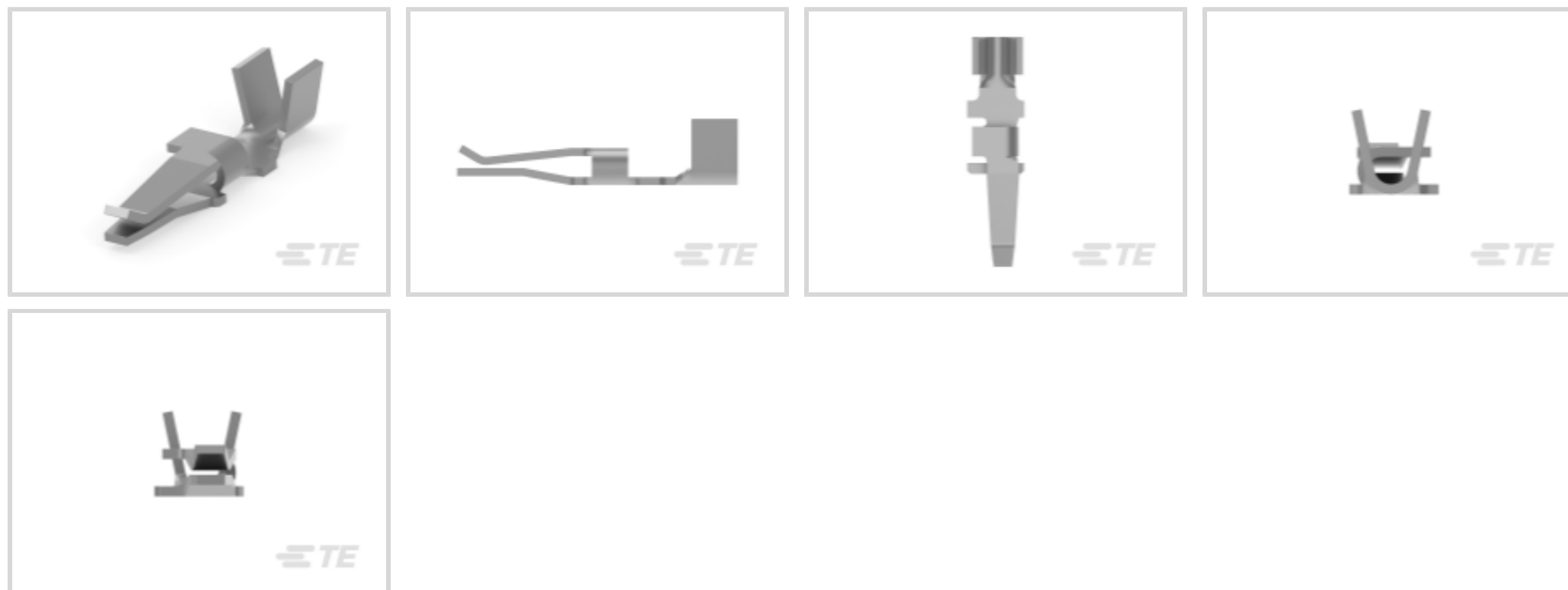




Connectors > Rectangular Connectors > Connector Contacts



Contact Type: **Receptacle**

Contact Mating Area Plating Material: **Tin (Sn)**

Wire Contact Termination Area Plating Material: **Tin**

Operating Voltage: **600 VDC**

Features

Product Type Features

Barrel Type	Crimp
Connector System	Wire-to-Wire
Connector & Contact Terminates To	Wire & Cable

Configuration Features

Compatible With Wire & Cable Type	Discrete Wire
-----------------------------------	---------------

Electrical Characteristics

Operating Voltage	600 VDC
-------------------	---------

Contact Features

Contact Termination Area Plating Thickness	2.54 μm[100 μin]
Contact Mating Area Plating Thickness	2.54 μm[100 μin]
Contact Length	27 mm[1.063 in]
Contact Type	Receptacle
Contact Mating Area Plating Material	Tin (Sn)
Wire Contact Termination Area Plating Material	Tin



Contact Retention Within Housing	Without
Contact Base Material	Copper Alloy
Contact Current Rating (Max)	55 A

Termination Features

Termination End Plating Material	Tin
Termination End Plating Thickness	2.54 μm[100 μin]
Termination Method to Wire & Cable	Crimp

Dimensions

Wire Size	6530 – 10383 CMA
-----------	------------------

Usage Conditions

Operating Temperature Range	0 – 105 °C[32 – 221 °F]
-----------------------------	-------------------------

Operation/Application

Circuit Application	Power
---------------------	-------

Industry Standards

UL Rating	Recognized
UL Flammability Rating	UL 94V-0
Agency/Standard	UL

Packaging Features

Packaging Method	Loose Piece
Packaging Quantity	200

Product Compliance

[For compliance documentation, visit the product page on TE.com>](#)

EU RoHS Directive 2011/65/EU	Compliant
EU ELV Directive 2000/53/EC	Compliant
China RoHS 2 Directive MIIT Order No 32, 2016	No Restricted Materials Above Threshold
EU REACH Regulation (EC) No. 1907/2006	Current ECHA Candidate List: JUNE 2022 (224) Candidate List Declared Against: JAN 2022 (223) SVHC > Threshold: Not Yet Reviewed
Halogen Content	Low Halogen - Br, Cl, F, I < 900 ppm per homogenous material. Also BFR/CFR/PVC Free

Solder Process Capability

Not applicable for solder process capability

Product Compliance Disclaimer

This information is provided based on reasonable inquiry of our suppliers and represents our current actual knowledge based on the information they provided. This information is subject to change. The part numbers that TE has identified as EU RoHS compliant have a maximum concentration of 0.1% by weight in homogenous materials for lead, hexavalent chromium, mercury, PBB, PBDE, DBP, BBP, DEHP, DIBP, and 0.01% for cadmium, or qualify for an exemption to these limits as defined in the Annexes of Directive 2011/65/EU (RoHS2). Finished electrical and electronic equipment products will be CE marked as required by Directive 2011/65/EU. Components may not be CE marked. Additionally, the part numbers that TE has identified as EU ELV compliant have a maximum concentration of 0.1% by weight in homogenous materials for lead, hexavalent chromium, and mercury, and 0.01% for cadmium, or qualify for an exemption to these limits as defined in the Annexes of Directive 2000/53/EC (ELV). Regarding the REACH Regulation, the information TE provides on SVHC in articles for this part number is based on the latest European Chemicals Agency (ECHA) 'Guidance on requirements for substances in articles' posted at this URL: <https://echa.europa.eu/guidance-documents/guidance-on-reach>

Compatible Parts



TE Part # 556136-1
CONT,AMPINNGY WTW,STRIP,10-12


Customers Also Bought



TE Part #556879-2
PLUG HSG,AMPINNGY WTB,2 POS



TE Part #1-770247-0
UMNL II SOK SN/AUNI/PHBZ LP



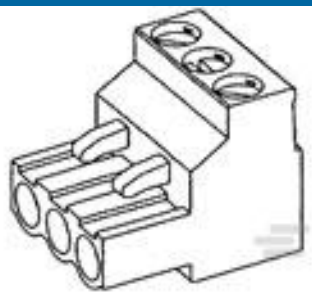
TE Part #1-104480-5
SHORT POINT RCP CONT LP




TE Part #60617-6
CMNL SOK AUPHBZ L/P



TE Part #104128-5
026 LOPRO HDR SP 30DP LATCH



TE Part #796635-6
6 POS 5.08MM R/A PLUG,TRM BLK



TE Part #4438994002
RT555-3/16-0-SP



TE Part #556879-4
PLUG HSG,AMPINNGY WTB,4 POS



Documents

Product Drawings

[CONT,AMPINNRGY WTW,LS PC,10-12](#)

English

CAD Files

Customer View Model

[ENG_CVM_556136-2_A.3d_igs.zip](#)

English

Customer View Model

[ENG_CVM_556136-2_A.3d_stp.zip](#)

English

Customer View Model

[ENG_CVM_556136-2_A.2d_dxf.zip](#)

English

3D PDF

English

By downloading the CAD file I accept and agree to the [Terms and Conditions](#) of use.

Datasheets & Catalog Pages

[1654742_HOUSEHOLD_APPLIANCES_RAST5](#)

English

[POWER_CONNECTORS_CATALOG_SEC02_CABLE_MOUNTED](#)

English

Product Specifications

[Application Specification](#)

English

Product Environmental Compliance

[MD_556136-2_10282015744_dmtec](#)

English

[MD_556136-2_10282015744_dmtec](#)

English

Instruction Sheets

[Instruction Sheet \(U.S.\)](#)



English

Inspection of AMPINNERGY System Power Contacts

English