

NOTE

- 嵌合相手：51382シリーズ
MATE WITH : 51382 SERIES
- 偶数極 (列) に適用。
APPLY EVEN CIRCUIT PRODUCTS.
- キングは両外側の位置に付加。
KINK TO BE APPLIED BOTH ENDS.
- 材質
MATERIALS
ハウジング : ポリエステル(PBT) UL94V-0
HOUSING : POLYESTER(PBT) UL94V-0
ピン : 黄銅
PIN : BRASS
- めっき
FINISHES
ピン : 錫めっき, リフロー処理 (前めっき) めっき厚 : 1.0µm MIN.
ニッケル下地めっき, めっき厚 : 0.5µm MIN.
PIN : PRE-TIN PLATED, (HEAT TREATED MATTE TIN)
PLATING THICKNESS : 1.0µm MIN.
NICKEL UNDERPLATE OVERALL
PLATING THICKNESS : 0.5µm MIN.

△ 製品番号 MATERIAL NO.

55932-****
極数 CIRCUIT SIZE

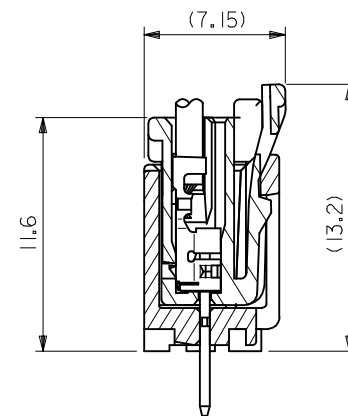
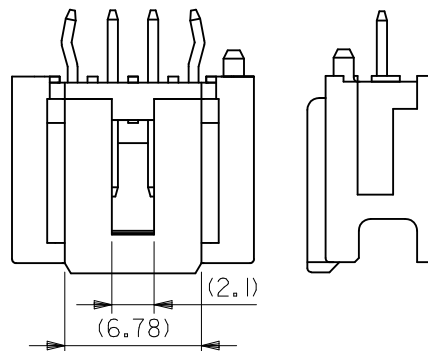
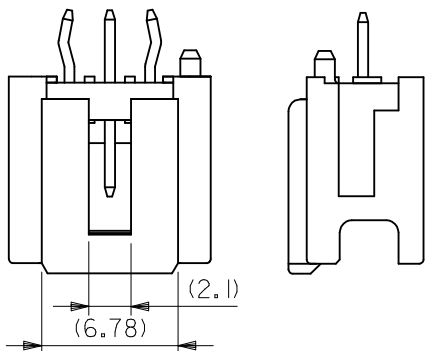
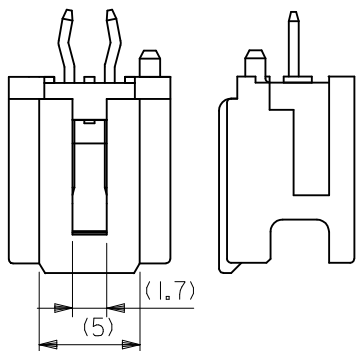
色 COLOR
10 自然色 (白) NATURAL (WHITE)
11 黒 BLACK
12 赤 RED
13 黄 YELLOW
14 青 BLUE
15 桃 PINK
16 緑 GREEN
17 茶 BROWN
18 橙 ORANGE
19 紫 VIOLET
41 灰 GRAY
43 蛍光黄 FLUORESCENCE YELLOW
44 水 PALE BLUE
46 黄緑 YELLOWISH GREEN

31	28	34	55932-15**	15
29	26	32	55932-14**	14
27	24	30	55932-13**	13
25	22	28	55932-12**	12
23	20	26	55932-11**	11
21	18	24	55932-10**	10
19	16	22	55932-09**	9
17	14	20	55932-08**	8
15	12	18	55932-07**	7
13	10	16	55932-06**	6
11	8	14	55932-05**	5
9	6	12	55932-04**	4
7	4	10	55932-03**	3
5	2	8	55932-02**	2
C	B	A	MATERIAL NO.	CKT.

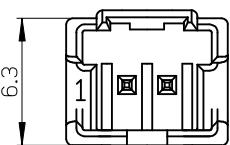
MODEL NO. : 55932-****

REVISED EC NO: J2017-0480 DRW: KUSATO 2017/03/13 CHK: AIDA 2017/03/13 APPR: KANEKO 2017/03/16	GENERAL TOLERANCES (UNLESS SPECIFIED)		DIMENSION STYLE MM ONLY		SCALE ---	DESIGN UNITS METRIC	THIRD ANGLE PROJECTION
	0.25 UNDER	UNDER	±0.03	DRAWN BY T. NIITSU	DATE '02/02/08	TITLE 2.0 W/B SINGLE CONN. PLUG HOUSING ASS'Y ST -LEAD FREE-	
	0.25 OVER	0.5 UNDER	±0.05	CHECKED BY K. ASAKAWA	DATE '03/06/12	molex DOCUMENT NO. SD-55932-002 SHEET NO. 1 OF 2	
	0.5 OVER	1.0 UNDER	±0.1	APPROVED BY T. YAMAGUCHI	DATE '03/06/12		
1.0 OVER	10 UNDER	±0.2	MATERIAL NO.		SEE CHART		
30 OVER		±0.3	SIZE A3		THIS DRAWING CONTAINS INFORMATION THAT IS PROPRIETARY TO MOLEX ELECTRONIC TECHNOLOGIES, LLC AND SHOULD NOT BE USED WITHOUT WRITTEN PERMISSION		
ANGULAR	±3 °		DRAFT WHERE APPLICABLE MUST REMAIN WITHIN DIMENSIONS				

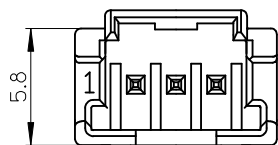
10 9 8 7 6 5 4 3 2 1



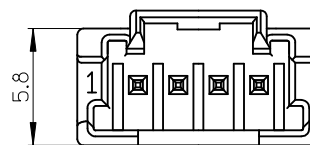
嵌合断面図



2 CIRCUIT



3 CIRCUIT



4 CIRCUIT 以上

MODEL NO. : 55932-****

REVISED EC NO: J2017-0480 DRW:KUSATO 2017/03/13 CHK:DAIDA 2017/03/13 APPR:KANAKO 2017/03/16	GENERAL TOLERANCES (UNLESS SPECIFIED)			DIMENSION STYLE MM ONLY		SCALE ---	DESIGN UNITS METRIC	THIRD ANGLE PROJECTION		
	0.25 UNDER	UNDER	±0.03	DRAWN BY	DATE	TITLE				
	0.25 OVER	0.5 UNDER	±0.05	T.NIITSU	'02/02/08	2.0 W/B SINGLE CONN. PLUG HOUSING ASS'Y ST -LEAD FREE-				
	0.5 OVER	1.0 UNDER	±0.1	K.ASAKAWA	'03/06/12					
	1.0 OVER	10 UNDER	±0.2	APPROVED BY		DATE				
	10 OVER	30 UNDER	±0.25	T.YAMAGUCHI		'03/06/12				
30 OVER		±0.3	MATERIAL NO.			DOCUMENT NO.	SHEET NO.			
ANGULAR ±3 °			SEE SHEET 1		SD-55932-002		2 OF 2			
DRAFT WHERE APPLICABLE MUST REMAIN WITHIN DIMENSIONS				SIZE A3	THIS DRAWING CONTAINS INFORMATION THAT IS PROPRIETARY TO MOLEX ELECTRONIC TECHNOLOGIES, LLC AND SHOULD NOT BE USED WITHOUT WRITTEN PERMISSION					

9 8 7 6 5 4 3 2 1