



SPLICE

TE Internal #: 626315-1

Splices, 8 – 6 AWG Wire Size, 8.36 – 13.3 mm² Wire Size, Splice

Capacity 3, 15000 – 25000 CMA Wire Size, Brass, Pigtail Splice

Splice, SPLICE

[View on TE.com >](#)

Terminals & Splices > Splices



Wire Size: 15000 – 25000 CMA

Sealable: No

Splice Capacity: 3

Features

Product Type Features

Barrel Style	Standard
Sealable	No
Splice Type	Pigtail Splice
Serrated	No
Compatible With Discrete Wire Type	Solid, Stranded

Configuration Features

Strip Orientation	End Feed
Splice Capacity	3
Number of Serrations	0
Compatible With Wire & Cable Type	Discrete Wire

Electrical Characteristics

Operating Voltage	250 V
-------------------	-------

Body Features

Weight per Piece	.78 g
Plating Material	Unplated



Primary Product Material	Brass
--------------------------	-------

Contact Features

Contact Plating Material	Unplated
--------------------------	----------

Barrel Type	Open
-------------	------

Mechanical Attachment

Wire Insulation Support	Without
-------------------------	---------

Dimensions

Inside Diameter (Recovered)	2.54 mm[.1 in]
-----------------------------	----------------

Barrel Inside Diameter (Min)	3.68 mm[.145 in]
------------------------------	------------------

Wire Size	15000 – 25000 CMA
-----------	-------------------

Terminal Material Thickness	.76 mm[.03 in]
-----------------------------	----------------

Overall Product Length	6.2 mm[.245 in]
------------------------	-----------------

Usage Conditions

Insulation Option	Uninsulated
-------------------	-------------

Operating Temperature Range	-65 – 150 °C[-85 – 302 °F]
-----------------------------	----------------------------

Operation/Application

Heavy Duty	No
------------	----

Compatible With Wire Base Material	Copper
------------------------------------	--------

Industry Standards

Government Qualified Splice	No
-----------------------------	----

Packaging Features

Packaging Quantity	10000
--------------------	-------

Packaging Method	Strip
------------------	-------

Product Compliance

[For compliance documentation, visit the product page on TE.com>](#)

EU RoHS Directive 2011/65/EU	Compliant
------------------------------	-----------

EU ELV Directive 2000/53/EC	Compliant
-----------------------------	-----------

China RoHS 2 Directive MIIT Order No 32, 2016	No Restricted Materials Above Threshold
---	---

EU REACH Regulation (EC) No. 1907/2006	Current ECHA Candidate List: JUNE 2022 (224) Candidate List Declared Against: JAN 2022 (223)
--	---

SVHC > Threshold:
Not Yet Reviewed

Halogen Content

Low Halogen - Br, Cl, F, I < 900 ppm per homogenous material. Also BFR/CFR/PVC Free

Solder Process Capability

Not reviewed for solder process capability

Product Compliance Disclaimer

This information is provided based on reasonable inquiry of our suppliers and represents our current actual knowledge based on the information they provided. This information is subject to change. The part numbers that TE has identified as EU RoHS compliant have a maximum concentration of 0.1% by weight in homogenous materials for lead, hexavalent chromium, mercury, PBB, PBDE, DBP, BBP, DEHP, DIBP, and 0.01% for cadmium, or qualify for an exemption to these limits as defined in the Annexes of Directive 2011/65/EU (RoHS2). Finished electrical and electronic equipment products will be CE marked as required by Directive 2011/65/EU. Components may not be CE marked. Additionally, the part numbers that TE has identified as EU ELV compliant have a maximum concentration of 0.1% by weight in homogenous materials for lead, hexavalent chromium, and mercury, and 0.01% for cadmium, or qualify for an exemption to these limits as defined in the Annexes of Directive 2000/53/EC (ELV). Regarding the REACH Regulation, the information TE provides on SVHC in articles for this part number is based on the latest European Chemicals Agency (ECHA) 'Guidance on requirements for substances in articles' posted at this URL: <https://echa.europa.eu/guidance-documents/guidance-on-reach>

Compatible Parts



TE Part # 63625-1
SPLICE 5000-16000 .025 BR



TE Part # 42627-4
SPLICE 3232-8282 .0198 NPST



TE Part # 963922-1
BUTT SPLICE LP 1.0-2.5 MM2 PTP CUSN4



TE Part # 963920-1
BUTT SPLICE LP 0.2-0.5 MM2 PTP CUSN4



TE Part # 41276
IDENTIFICATION BAND AL



TE Part # 626207-1
SPECIAL SPLICE 20-18 AWG LATAO



TE Part # 140792-2
SPLICE 5000-12000 0.63MM TPBR



TE Part # 160644-3
SPLICE 20-15 AWG .016 TPBR



TE Part # 626363-1
SPLICE



TE Part # 626584-1
SPLICE 1500/5000 CMA BR



TE Part # 963921-1
STOSSVERBINDER



TE Part # 40864
SPLICE .027 BR

Also in the Series | SPLICE

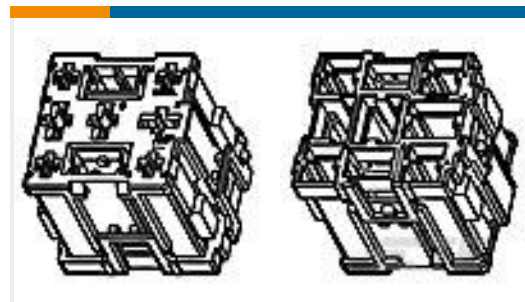


Crimp Wire Pins, Tabs & Ferrules(1)

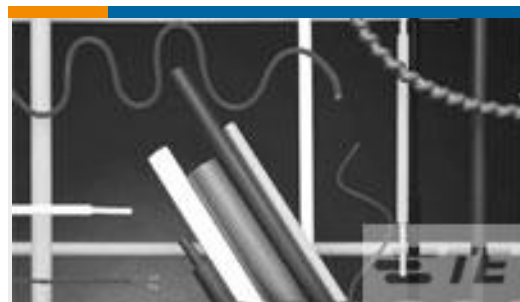


Splices(65)

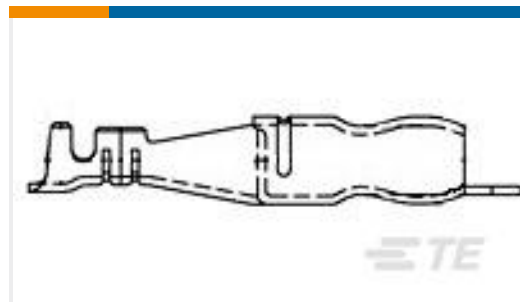
Customers Also Bought



TE Part #444017-7
HSG ASS'Y 9 POS JR



TE Part #5069856066
CGPT-9.5/4.8-0-30MM



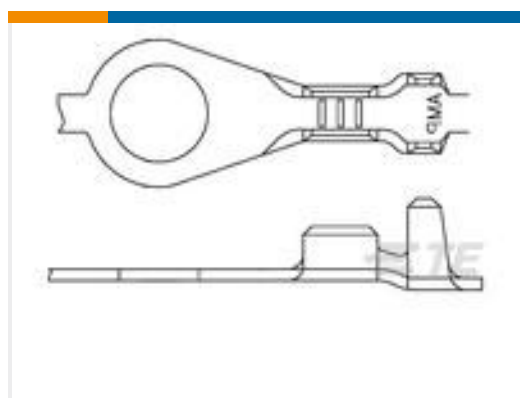
TE Part #444154-2
SHUR PLUG 180 0.5-1.0MM2 0.45X27.6 PTPBR



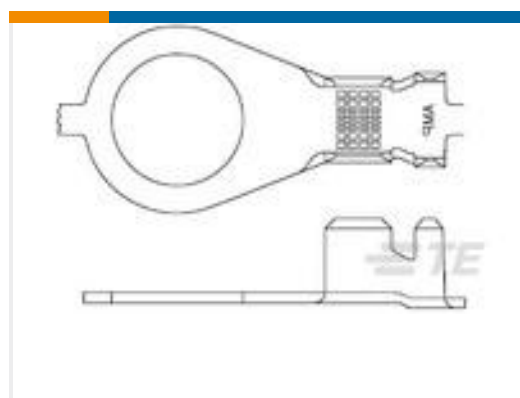
TE Part #626363-1
SPLICE



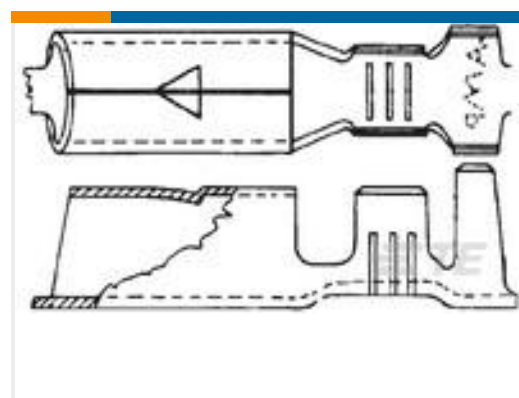
TE Part #626584-1
SPLICE 1500/5000 CMA BR



TE Part #880665-2
RING TONGUE



TE Part #881011-2
RING TONGUE



TE Part #881720-3
180 SHUR PWG RECEIPT



TE Part #881799-2
FASTIN ON .110 REC



TE Part #881612-2
POSITIVE MATE REC.

Documents

[Product Drawings](#)
[STANDARD SPLICE](#)

English

[CAD Files](#)

[3D PDF](#)

[3D](#)



Customer View Model

[ENG_CVM_CVM_626315-1_D_c-626315-1-d.2d_dxf.zip](#)

English

Customer View Model

[ENG_CVM_CVM_626315-1_D_c-626315-1-d.3d_igs.zip](#)

English

Customer View Model

[ENG_CVM_CVM_626315-1_D_c-626315-1-d.3d_stp.zip](#)

English

By downloading the CAD file I accept and agree to the [Terms and Conditions](#) of use.

Product Specifications

[Application Specification](#)

English