



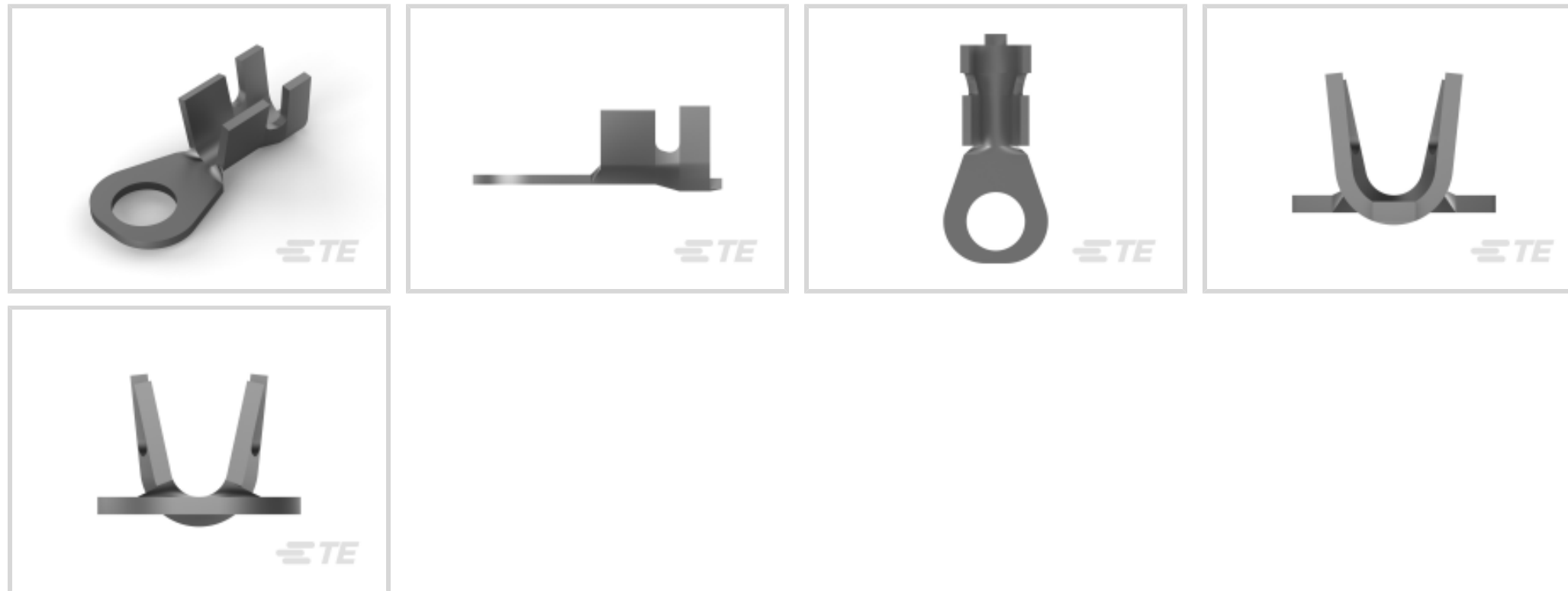
TE Internal #: 626036-2

Ring Terminals & Spade Terminals, Ring Tongue, 11 – 10 AWG

Wire Size, 4 – 6 mm<sup>2</sup> Wire Size, 8233 – 10382 CMA Wire Size, Stud Size #10

[View on TE.com >](#)

Terminals & Splices > Ring Terminals & Spade Terminals



Ring & Spade Terminal Type: **Ring Tongue**

Wire Size: **8233 – 10382 CMA**

Stud Size: **#10**

## Features

### Product Type Features

Terminal Features	Sheared
Shape Description	RING-001
Stud Size	#10
Sealable	No
Compatible With Discrete Wire Type	Stranded
Wire Insulation Support Retention Type	Insulation Support

### Configuration Features

Number of Holes	1
Terminal Angle	180 °

### Body Features

Inspection Slot	No
Weight per Piece	1.205 g

### Contact Features

Ring & Spade Terminal Type	Ring Tongue
Barrel Type	Open
Terminal Orientation	Straight



Terminal Plating Material	Tin
---------------------------	-----

### Mechanical Attachment

Wire Insulation Support	With
-------------------------	------

### Dimensions

Wire Size	8233 – 10382 CMA
-----------	------------------

Stud Diameter	5.3 mm[.209 in]
---------------	-----------------

Tongue Thickness	.8 mm[.031 in]
------------------	----------------

Overall Product Length	19 mm[.748 in]
------------------------	----------------

Barrel Inside Diameter	2.92 mm, 4.14 mm[.114 in][.162 in]
------------------------	------------------------------------

Accepts Wire Insulation Diameter (Max)	5.31 mm[.209 in]
--	------------------

Accepts Wire Insulation Diameter Range	3.2 – 5.3 mm[.15 – .209 in]
--	-----------------------------

### Usage Conditions

Insulation Option	Uninsulated
-------------------	-------------

Operating Temperature Range	-40 – 105 °C[-40 – 221 °F]
-----------------------------	----------------------------

### Operation/Application

Compatible With Wire Base Material	Copper
------------------------------------	--------

Heavy Duty	No
------------	----

### Industry Standards

Government Qualified	No
----------------------	----

### Packaging Features

Packaging Quantity	5000
--------------------	------

Packaging Method	Strip/Reel
------------------	------------

### Other

Comment	Similar to DIN 46225.
---------	-----------------------

### Product Compliance

[For compliance documentation, visit the product page on TE.com>](#)

EU RoHS Directive 2011/65/EU	Compliant
------------------------------	-----------

EU ELV Directive 2000/53/EC	Compliant
-----------------------------	-----------

China RoHS 2 Directive MIIT Order No 32, 2016	No Restricted Materials Above Threshold
---	---

EU REACH Regulation (EC) No. 1907/2006	Current ECHA Candidate List: JUNE 2022 (224)
--	---

Candidate List Declared Against: JAN 2022  
(223)  
SVHC > Threshold:  
Not Yet Reviewed

Halogen Content

Low Halogen - Br, Cl, F, I < 900 ppm per homogenous material. Also BFR/CFR/PVC Free

Solder Process Capability

Not applicable for solder process capability

Product Compliance Disclaimer

This information is provided based on reasonable inquiry of our suppliers and represents our current actual knowledge based on the information they provided. This information is subject to change. The part numbers that TE has identified as EU RoHS compliant have a maximum concentration of 0.1% by weight in homogenous materials for lead, hexavalent chromium, mercury, PBB, PBDE, DBP, BBP, DEHP, DIBP, and 0.01% for cadmium, or qualify for an exemption to these limits as defined in the Annexes of Directive 2011/65/EU (RoHS2). Finished electrical and electronic equipment products will be CE marked as required by Directive 2011/65/EU. Components may not be CE marked. Additionally, the part numbers that TE has identified as EU ELV compliant have a maximum concentration of 0.1% by weight in homogenous materials for lead, hexavalent chromium, and mercury, and 0.01% for cadmium, or qualify for an exemption to these limits as defined in the Annexes of Directive 2000/53/EC (ELV). Regarding the REACH Regulation, the information TE provides on SVHC in articles for this part number is based on the latest European Chemicals Agency (ECHA) 'Guidance on requirements for substances in articles' posted at this URL: <https://echa.europa.eu/guidance-documents/guidance-on-reach>

## Compatible Parts



TE Part # 180390-2  
SQUARE TONGUE



TE Part # 180455-1  
TERM PLACA REDONDA 6 DIA.



TE Part # 2-2150639-1  
OCEAN\_2.0\_APPLICATOR-E-180F250F



TE Part # 2-2150639-2  
OCEAN\_2.0\_APPLICATOR-E-180F250FA



TE Part # 2150639-1  
OCEAN\_2.0\_APPLICATOR-E-180F250F



TE Part # 2150639-2  
OCEAN\_2.0\_APPLICATOR-E-180F250FA



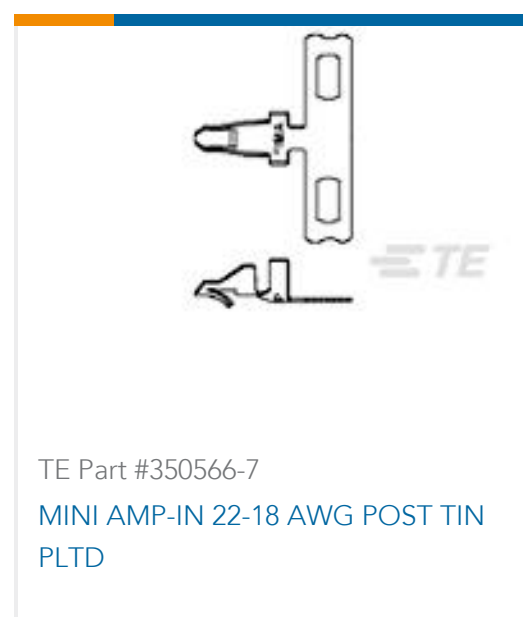
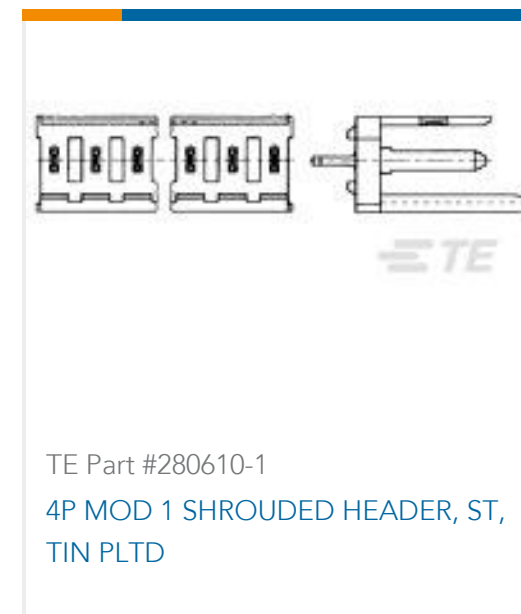
TE Part # 7-2150639-1  
OCEAN\_2.0\_APPLICATOR-E-180F250F



TE Part # 7-2150639-2  
OCEAN\_2.0\_APPLICATOR-E-180F250FA



## Customers Also Bought



## Documents

### Product Drawings

[RING TONGUE TERMINAL 4.0-6.0 MM2 TPBR](#)

English

### CAD Files

[3D PDF](#)

[3D](#)

[Customer View Model](#)

[ENG\\_CVM\\_CVM\\_626036-2\\_E\\_c-626036-2-e.2d\\_dxf.zip](#)



English

**Customer View Model**

[ENG\\_CVM\\_CVM\\_626036-2\\_E\\_c-626036-2-e.3d\\_igs.zip](#)

English

**Customer View Model**

[ENG\\_CVM\\_CVM\\_626036-2\\_E\\_c-626036-2-e.3d\\_stp.zip](#)

English

By downloading the CAD file I accept and agree to the [Terms and Conditions](#) of use.

---

**Product Specifications**

**Application Specification**

English

---

**Product Environmental Compliance**

[MD\\_626036-2\\_06012018243\\_dmtec](#)

English

[MD\\_626036-2\\_06012018243\\_dmtec](#)

English