

DIP SOCKET HEADERS 14 AND 16 POSITION

.100" x .200" CENTERS
.100" x .300" CENTERS



PHYSICAL PROPERTIES

INSULATION MATERIAL: Glass filled thermoplastic rated UL 94V-0

COLOR: Blue

CONTACT MATERIAL: Phosphor Bronze, 30μ inches min. gold over 50μ inches min. nickel in contact zone; tin/lead over nickel in termination area.

ELECTRICAL PROPERTIES

CURRENT RATING: 1 Amp

INSULATION RESISTANCE: >1 x 10⁹ Ohms @ 500 VDC

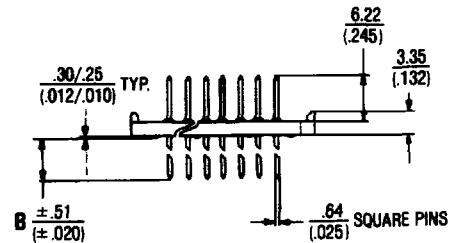
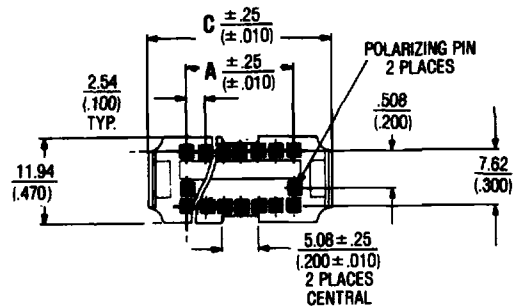
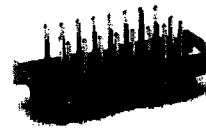
DIELECTRIC STRENGTH: >1000 VRMS @ sea level

ENVIRONMENTAL PROPERTIES

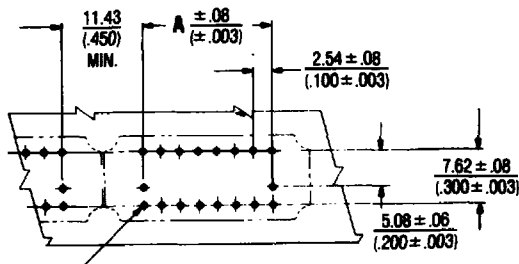
TEMPERATURE RATING: -55°C TO 125°C

MATING CONNECTORS

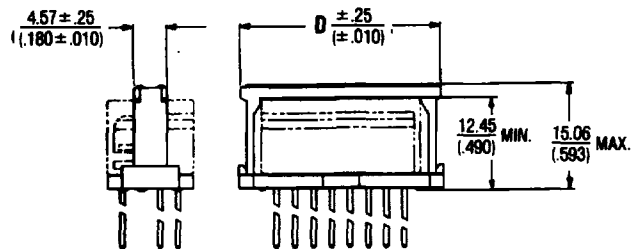
FEMALE SOCKETS: See page 11



RECOMMENDED HOLE PATTERN



HOLE DIAMETER AFTER PLATING	CATALOG NUMBER USED FOR
.89 ± .08 (.035 ± .003)	609-1478, 609-1488 609-1678, 609-1688
.97 ± .08 (.038 ± .003)	609-1498, 609-1698



INSULATOR WITH RETAINER CLIP AND CONNECTOR (IN PHANTOM) INSTALLED

Ordering Information

CATALOG NUMBER	NO. OF PINS	DIMENSIONS IN MILLIMETERS					FOR USE WITH
609-1478	14	15.24 (.600)	3.05 (.120)	26.06 (1.026)	25.25 (.994)	1.57 (.062) Thick PCB	
609-1498	14	15.24 (.600)	4.57 (.180)	26.06 (1.026)	25.25 (.994)	3.18 (.125) Thick PCB	
609-1488	14	15.24 (.600)	16.26 (.640)	26.06 (1.026)	25.25 (.994)	Wrap Post Tails (3 level)	
609-1678	16	17.78 (.700)	3.05 (.120)	28.60 (1.126)	27.79 (1.094)	1.57 (.062) Thick PCB	
609-1688	16	17.78 (.700)	4.57 (.180)	28.60 (1.126)	27.79 (1.094)	3.18 (.125) Thick PCB	
609-1698	16	17.78 (.700)	16.26 (.640)	28.60 (1.126)	27.79 (1.094)	Wrap Post Tails (3 level)	