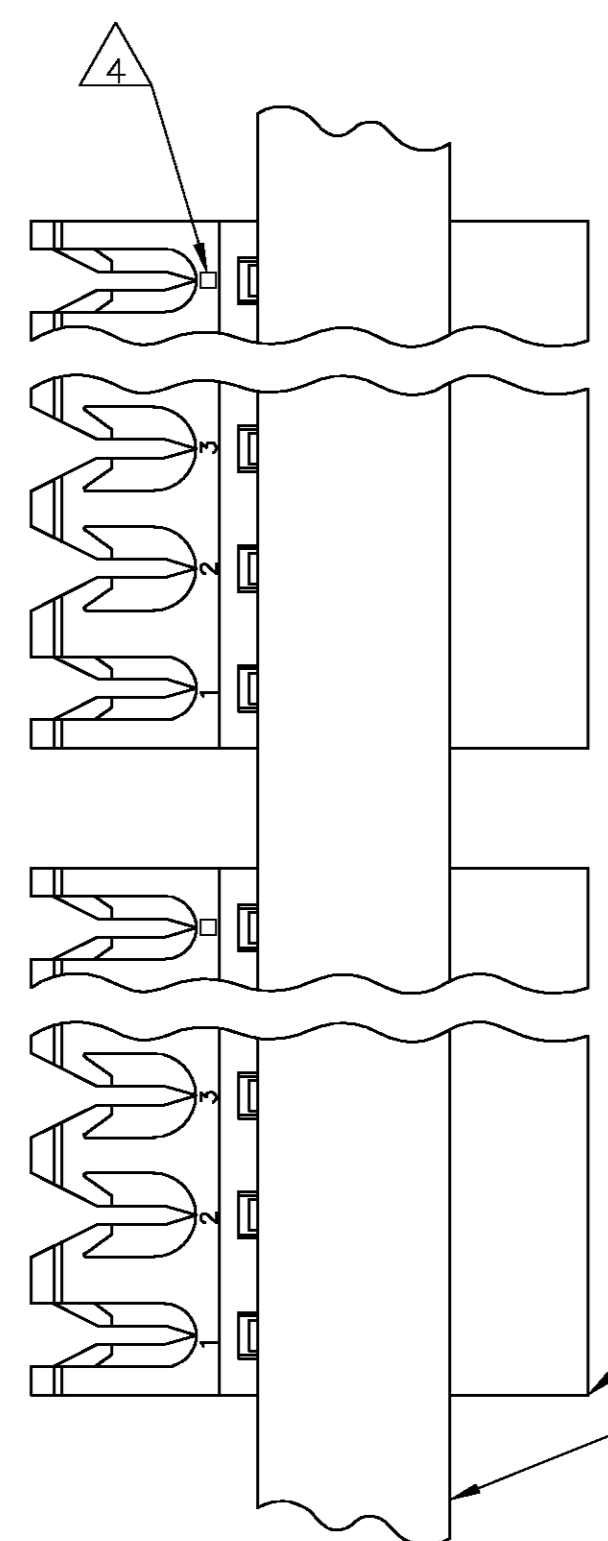


THIS DRAWING IS UNPUBLISHED. RELEASED FOR PUBLICATION
 © COPYRIGHT BY TYCO ELECTRONICS CORPORATION. ALL RIGHTS RESERVED.

LOC	DIST	REVISIONS			
P	LTR	DESCRIPTION	DATE	DWN	APVD
CM	00	F	EC 0G3B 1043 04	17JUN05	BSV DB

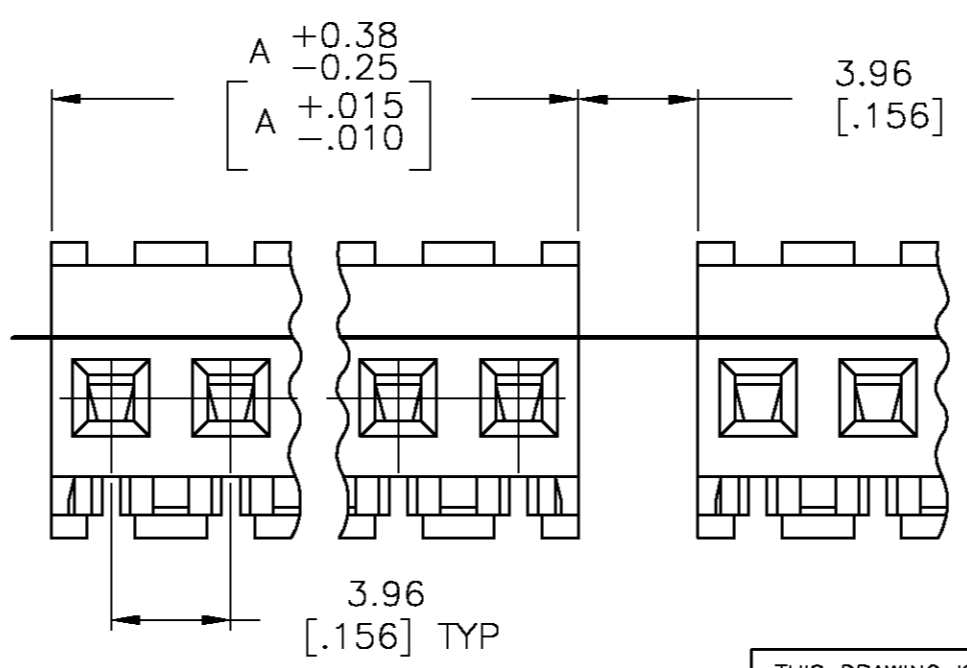
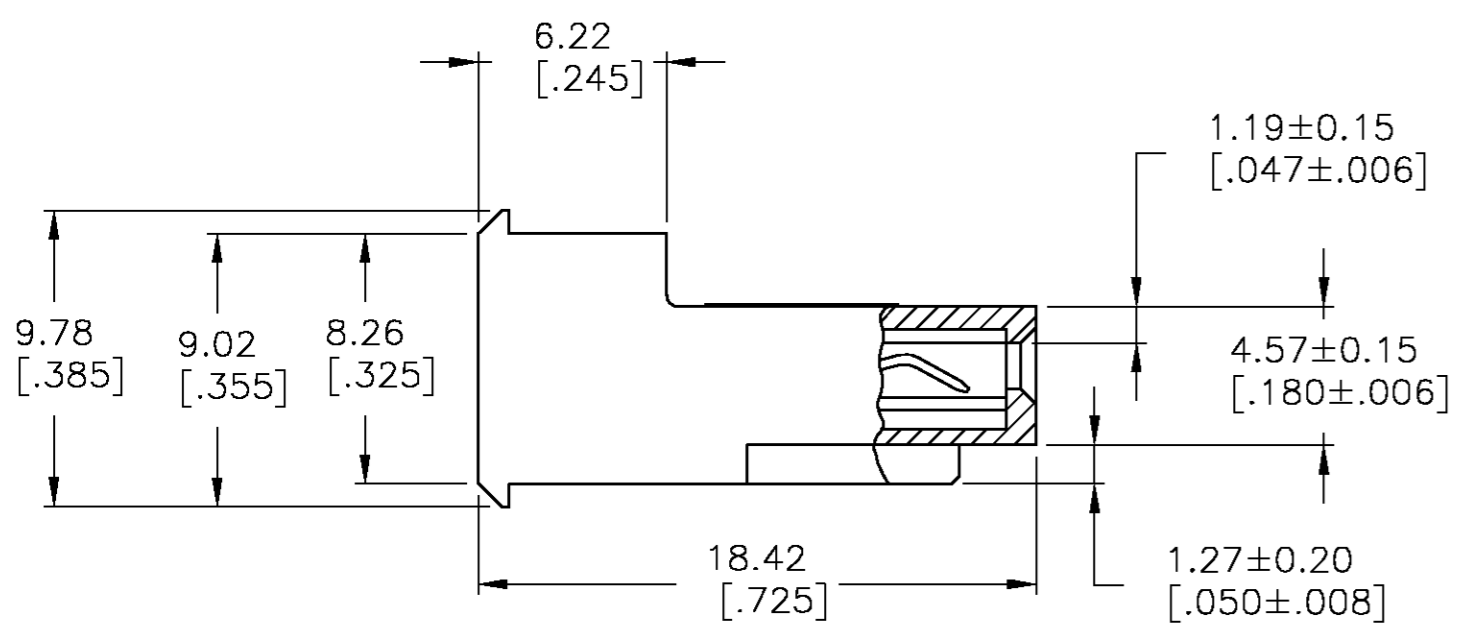


- 1 MATERIAL: CONNECTOR — NYLON UL94V-2 (BLUE)
 CONTACTS — 0.30(.012) THICK COPPER ALLOY
 BRIGHT TIN-LEAD 0.00203(.000080) MIN THICK
 FOR CONTACTS 641310-2 THRU 2-641310-4
 BRIGHT TIN PLATE 0.00203(.000080) MIN THICK
 FOR CONTACTS 3-641310-2 THRU 5-641310-4.
- 2. CONTACTS ACCEPT 26 AWG WIRE WITH 2.41[.095] MAX INSULATION DIAMETER.
- 3. CONTACTS MUST ACCEPT 1.14±0.03 [.045±.001] SQUARE POST AND REMAIN LOCKED IN POSITION.
- 4 IDENTIFICATION NUMBER FOR LAST CIRCUIT MAY NOT APPEAR ON ALL ASSEMBLIES.
- 5. DIMENSIONS IN BRACKETS ARE IN INCHES.
- 6. HOUSING FEATURES ARE: FEED-THRU WITHOUT LOCKING RAMP

CONNECTOR ASSEMBLY

TAPE

95.10	[3.744]	24	5-641310-4
91.14	[3.588]	23	5-641310-3
87.17	[3.432]	22	5-641310-2
83.21	[3.276]	21	5-641310-1
79.25	[3.120]	20	5-641310-0
75.29	[2.964]	19	4-641310-9
71.32	[2.808]	18	4-641310-8
67.36	[2.652]	17	4-641310-7
63.40	[2.496]	16	4-641310-6
59.44	[2.340]	15	4-641310-5
55.47	[2.184]	14	4-641310-4
51.51	[2.028]	13	4-641310-3
47.55	[1.872]	12	4-641310-2
43.59	[1.716]	11	4-641310-1
39.62	[1.560]	10	4-641310-0
35.66	[1.404]	9	3-641310-9
31.70	[1.248]	8	3-641310-8
27.74	[1.092]	7	3-641310-7
23.77	[.936]	6	3-641310-6
19.81	[.780]	5	3-641310-5
15.85	[.624]	4	3-641310-4
11.89	[.468]	3	3-641310-3
7.92	[.312]	2	3-641310-2
95.10	[3.744]	24	2-641310-4
91.14	[3.588]	23	2-641310-3
87.17	[3.432]	22	2-641310-2
83.21	[3.276]	21	2-641310-1
79.25	[3.120]	20	2-641310-0
75.29	[2.964]	19	1-641310-9
71.32	[2.808]	18	1-641310-8
67.36	[2.652]	17	1-641310-7
63.40	[2.496]	16	1-641310-6
59.44	[2.340]	15	1-641310-5
55.47	[2.184]	14	1-641310-4
51.51	[2.028]	13	1-641310-3
47.55	[1.872]	12	1-641310-2
43.59	[1.716]	11	1-641310-1
39.62	[1.560]	10	1-641310-0
35.66	[1.404]	9	641310-9
31.70	[1.248]	8	641310-8
27.74	[1.092]	7	641310-7
23.77	[.936]	6	641310-6
19.81	[.780]	5	641310-5
15.85	[.624]	4	641310-4
11.89	[.468]	3	641310-3
7.92	[.312]	2	641310-2
DIM A		NO OF CIRCUITS	PART NO



METRIC

THIS DRAWING IS A CONTROLLED DOCUMENT.

DIMENSIONS: mm [INCHES]	TOLERANCES UNLESS OTHERWISE SPECIFIED: 0 PLC ± - 1 PLC ± - 2 PLC ± - 3 PLC ± 0.13 [.005] 4 PLC ± - ANGLES ± - FINISH	DWN B. LEWIS 02 MAY 96 CHK R. SWING 02 MAY 96 APVD D. CLARK 02 MAY 96 PRODUCT SPEC 108-1051 APPLICATION SPEC 114-1020 WEIGHT - CUSTOMER DRAWING	Tyco Electronics Corporation Harrisburg, Pa 17105-3608 NAME MTA-156 CONNECTOR ASSEMBLY, 26 AWG, STANDARD TAPE MOUNTED SIZE A2 CAGE CODE 00779 DRAWING NO C=641310 RESTRICTED TO - SCALE 4:1 SHEET 1 OF 1 REV F
----------------------------	---	---	---