

62431-6 ✓ ACTIVE

## MAG-MATE

TE Internal #: 62431-6

Magnet Wire Terminals, Poke-In, Size 2, Lead Wire Size 20 – 18

AWG, Lead Wire Size .5 – .9 mm<sup>2</sup>, .18 – .23 mm Magnet Wire, MAG-MATE

[View on TE.com >](#)



Terminals & Splices > Magnet Wire Terminals



Magnet Wire Terminal Type: **Poke-In**

Compatible With Cavity Size: **Size 2**

Lead Wire Size: **.5 – .9 mm<sup>2</sup>**

Magnet Wire Size: **.18 – .23 mm**

### Features

#### Product Type Features

Compatible With Discrete Wire Type

Magnet Wire, Solid

#### Body Features

Compatible With Cavity Size

Size 2

#### Contact Features

Magnet Wire Terminal Type

Poke-In

Terminal Plating Material

Tin

Terminal Orientation

Twisted

#### Termination Features

Termination Method to Wire & Cable

Insulation Displacement (IDC)

#### Mechanical Attachment

Contact Mating Retention Type

Locking

#### Dimensions

Terminal Height

7.87 mm [.309 in]

Lead Wire Size

.5 – .9 mm<sup>2</sup>



Magnet Wire Size	33 – 31 AWG
Stock Thickness (Magnet Wire Side)	.25 mm[.009 in]
Overall Product Length	3.43 mm[.135 in]

### Usage Conditions

Insulation Option	Uninsulated
Operating Temperature Range	-65 – 150 °C[-85 – 302 °F]

### Operation/Application

Compatible With Wire Base Material	Copper
------------------------------------	--------

### Packaging Features

Packaging Method	Reel/Carton
------------------	-------------

## Product Compliance

[For compliance documentation, visit the product page on TE.com>](#)

EU RoHS Directive 2011/65/EU	Compliant
EU ELV Directive 2000/53/EC	Compliant
China RoHS 2 Directive MIIT Order No 32, 2016	No Restricted Materials Above Threshold
EU REACH Regulation (EC) No. 1907/2006	Current ECHA Candidate List: JUNE 2022 (224) Candidate List Declared Against: JAN 2022 (223) SVHC > Threshold: Not Yet Reviewed
Halogen Content	Low Halogen - Br, Cl, F, I < 900 ppm per homogenous material. Also BFR/CFR/PVC Free
Solder Process Capability	Not applicable for solder process capability

#### Product Compliance Disclaimer

This information is provided based on reasonable inquiry of our suppliers and represents our current actual knowledge based on the information they provided. This information is subject to change. The part numbers that TE has identified as EU RoHS compliant have a maximum concentration of 0.1% by weight in homogenous materials for lead, hexavalent chromium, mercury, PBB, PBDE, DBP, BBP, DEHP, DIBP, and 0.01% for cadmium, or qualify for an exemption to these limits as defined in the Annexes of Directive 2011/65/EU (RoHS2). Finished electrical and electronic equipment products will be CE marked as required by Directive 2011/65/EU. Components may not be CE marked. Additionally, the part numbers that TE has identified as EU ELV compliant have a maximum concentration of 0.1% by weight in homogenous materials for lead, hexavalent chromium, and mercury, and 0.01% for cadmium, or qualify for an exemption to these limits as defined in the Annexes of Directive 2000/53/EC (ELV). Regarding the REACH Regulation, the information TE provides on SVHC in articles for this part number is based on the latest European Chemicals Agency (ECHA) 'Guidance on requirements for substances in articles' posted at this URL: <https://echa.europa.eu/guidance-documents/guidance-on-reach>

## Compatible Parts



TE Part # 62833-1  
MAG-MATE POKE-IN TERM 016TPBR



TE Part # 62527-1  
MAG-MATE TERM 31-32 010 TPBR



TE Part # 62526-1  
MAG-MATE TERM 27-30 013 TPBR



TE Part # 62431-1  
MAG-MATE TERM 31-33 010 TPBR



TE Part # 62429-1  
MAG-MATE TERM 27-30 013TPBR



TE Part # 1742379-1  
TERMINAL,POKE-IN,MAG-MATE



TE Part # 63662-1  
MAG-MATE TERM 33-34 010TPBR



TE Part # 62781-3  
TERM MAG-MATE MINI 42-52 TPBR



TE Part # 62833-4  
TERMINAL,POKE-IN,MAG-MATE




TE Part # 62935-9  
MAG-MATE TERM 27-23 016 TPCUNI



TE Part # 62429-4  
MAG-MATE TERM 27-30 013BR


## Also in the Series | MAG-MATE



Insertion & Extraction Tools(8)

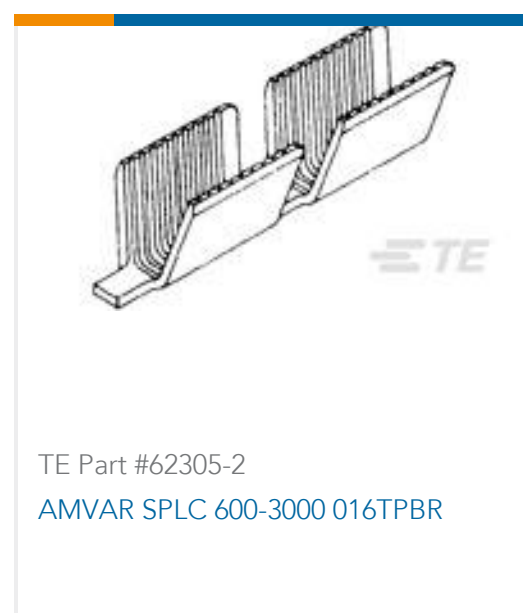


Magnet Wire Terminals(464)



PCB Terminals(1)

## Customers Also Bought



## Documents

### CAD Files

#### 3D PDF

3D

#### Customer View Model

[ENG\\_CVM\\_CVM\\_62431-6\\_BY.2d\\_dxf.zip](#)

English

#### Customer View Model

[ENG\\_CVM\\_CVM\\_62431-6\\_BY.3d\\_igs.zip](#)

English

#### Customer View Model

[ENG\\_CVM\\_CVM\\_62431-6\\_BY.3d\\_stp.zip](#)

English

By downloading the CAD file I accept and agree to the [Terms and Conditions](#) of use.

### Product Specifications

#### Application Specification

English