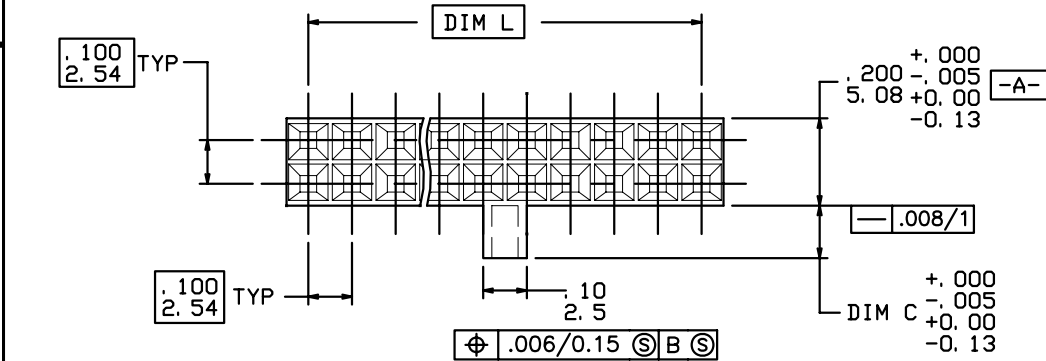


NOTES:

- 1. PIN LENGTH TO BE .210/5.33 MIN  
RECOMMENDED PIN LENGTH IS  
.225±.015/5.72±0.38.
- 2. MOLDING MATERIAL: MODIFIED  
POLYPHENYLENE ETHER  
COLOR-BLACK UL 94V-0
- 3. MAY BE USED WITH PRODUCT LINE  
NO. 65268 STYLE M.
- 4. ALL MARKINGS FOR MILITARY PART  
NUMBERS ARE TO BE PER MIL-STD-1285.  
SEE TABULATION.
- 5. PLACE DESC PART NO. AND CAGE NO.  
ON PACKAGING LABEL. PRODUCT LENGTH  
IS TOO SMALL TO MARK PART.
- 6. APPLICABLE SPECIFICATIONS:  
BUS-12-067: PRODUCT SPECIFICATION  
TA-75: CRIMPING INSTRUCTIONS (TERMINALS  
MUST BE CRIMPED PROPERLY FOR  
SATISFACTORY LATCHING).  
TA-531: INSTALLING AND REMOVING TERMINALS
- 7. ADD AN LF SUFFIX TO PART NUMBERS FOR  
PRODUCT THAT MEETS EUROPEAN UNION  
DIRECTIVES AND OTHER COUNTRY REGULATIONS  
AS DESCRIBED IN GS-22-008.
- 8. THE PRODUCT IS NOT INTENDED TO BE EXPOSED  
TO MANUFACTURING SOLDER PROCESS.
- 9. EUROPEAN CUSTOMERS SHOULD ORDER PART  
NUMBERS WITH AN 'E' SUFFIX AS SHOWN IN TABLE  
TO CONTINUE TO BE SUPPLIED BY THE EUROPEAN  
PLANT. SEE DRAWING 65846EUR.



mat'l. code SEE NOTE 2				surface ASME Y14.5		tolerance ASME Y14.5		projection		product family PV HOUSINGS	
ltr	ecm no	dr	date	tolerances unless otherwise specified				INCH/MM		title	
V	VO6-0357	HTB	2006-04-17	angles	XX*01/XX*3		INCH/MM		MINI LATCH HOUSING		
W	VO6-0886	HTB	2006-08-31	0°±2'	XXX*005/XXX*B		scale 2.5:1		DOUBLE ROW POLARIZED		
				dr	T. BREWBAKER 2006-04-17				dwg no		sheet 1 of 5
				engr	T. BREWBAKER 2006-04-17				65846		A4
				chr	T. BREWBAKER 2006-04-17				type		Product Customer Drawing
				appd	T. BREWBAKER 2006-04-17						
sheet	revision	W	W	W	W	W	W				
index	sheet	1	2	3	4	5					



PRODUCT NO. NOTE 7	NO. OF POS.	DIM K	DIM L	DIM C	EUROPEAN VERSION-NOTE 9
65846-001	2 X 12	1.200/30.48	1.100/27.94	.120/3.05	65846-001ELF
65846-002	2 X 15	1.500/38.10	1.400/35.56	.120/3.05	65846-002ELF
65846-003	2 X 19	1.900/48.26	1.800/45.72	.120/3.05	65846-003ELF
65846-004	2 X 22	2.200/55.88	2.100/53.34	.120/3.05	-
65846-005	2 X 27	2.700/68.58	2.600/66.04	.120/3.05	65846-005ELF
65846-006	2 X 10	1.000/25.40	.900/22.86	.120/3.05	65846-006ELF
65846-007	2 X 7	.700/17.78	.600/15.24	.120/3.05	65846-007ELF
65846-008	2 X 9	.900/22.86	.800/20.32	.120/3.05	65846-008ELF
65846-009	2 X 32	3.200/81.28	3.100/78.74	.120/3.05	-
65846-010	2 X 5	.500/12.70	.400/10.16	.120/3.05	65846-010ELF
65846-011	2 X 8	.800/20.32	.700/17.78	.120/3.05	65846-011ELF
65846-012	2 X 25	2.500/63.50	2.400/60.96	.120/3.05	65846-012ELF
65846-013	2 X 30	3.000/76.20	2.900/73.66	.120/3.05	-
65846-014	2 X 2	.200/5.08	.100/2.54	.120/3.05	65846-014ELF
65846-015	2 X 3	.300/7.62	.200/5.08	.120/3.05	65846-015ELF
65846-016	2 X 4	.400/10.16	.300/7.62	.120/3.05	65846-016ELF
65846-017	2 X 6	.600/15.24	.500/12.70	.120/3.05	-
65846-018	2 X 11	1.100/27.94	1.000/25.40	.120/3.05	-
65846-019	2 X 13	1.300/33.02	1.200/30.48	.120/3.05	-
65846-020	2 X 14	1.400/35.58	1.300/33.02	.120/3.05	-
65846-021	2 X 16	1.600/40.64	1.500/38.10	.120/3.05	-
65846-022	2 X 17	1.700/43.18	1.600/40.64	.120/3.05	-
65846-023	2 X 18	1.800/45.72	1.700/43.18	.120/3.05	-
65846-024	2 X 20	2.000/50.80	1.900/48.26	.120/3.05	-
65846-025	2 X 21	2.100/53.34	2.000/50.80	.120/3.05	-

mat'l. code SEE NOTE 2		surface ASME Y14.5 ✓ / tolerance ASME Y14.5		projection 	product family PV HOUSINGS
ltr	ecrn no	dr	date	title	
w				MINI LATCH HOUSING DOUBLE ROW POLARIZED	
				INCH/MM	
				scale 1:1	
		dr	T. BREWBAKER 2006-04-17		dwg no
		engr	T. BREWBAKER 2006-04-17		sheet 2 of 5
		chr	T. BREWBAKER 2006-04-17		size
		appd	T. BREWBAKER 2006-04-17		A4
sheet index	revision sheet				type Product Customer Drawing



PRODUCT NO. NOTE 7	NO. OF POS.	DIM K	DIM L	DIM C	EUROPEAN VERSION-NOTE 9
65846-026	2 X 23	2.300/58.42	2.200/55.88	.120/3.05	-
65846-027	2 X 24	2.400/60.96	2.300/58.42	.120/3.05	-
65846-028	2 X 26	2.600/66.04	2.500/63.50	.120/3.05	-
65846-029	2 X 28	2.800/71.12	2.700/68.58	.120/3.05	-
65846-030	2 X 29	2.900/73.66	2.800/71.12	.120/3.05	-
65846-031	2 X 31	3.100/78.74	3.000/76.20	.120/3.05	-
65846-032	2 X 33	3.300/83.82	3.200/81.28	.120/3.05	-
65846-033	2 X 34	3.400/86.36	3.300/83.82	.120/3.05	-
65846-034	2 X 35	3.500/88.90	3.400/86.36	.120/3.05	-
65846-035	2 X 36	3.600/91.44	3.500/88.90	.120/3.05	-
65846-036	2 X 3	.300/7.62	.200/5.08	.080/2.03	-

A

A

B

B

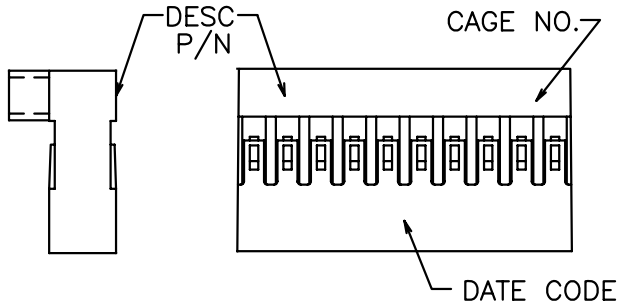
mat'l. code		surface		tolerance		projection		product family	
SEE NOTE 2		ASME Y14.5		ASME Y14.5				PV HOUSINGS	
ltr	ecm no	dr	date	tolerances unless otherwise specified		INCH/MM		title	
w				angles	.XX±.01/.XX±.3	scale 1:1		MINI LATCH HOUSING DOUBLE ROW POLARIZED	
				0°±2'	.XXX±.0020/.XXX±.051			dwg no	
		dr	T. BREWBAKER	2006-04-17				sheet 3 of 5	
		engr	T. BREWBAKER	2006-04-17				65846	
		chr	T. BREWBAKER	2006-04-17				A4	
		appd	T. BREWBAKER	2006-04-17				type Product Customer Drawing	
sheet	revision								
index	sheet								



MILITARY PRODUCT NO. NOTE 7	MADE FROM	MARKING STYLE	DESC P/N	CAGE NO.
65846-001-MIL		D I S C O N T I N U E D		
65846-002-MIL		D I S C O N T I N U E D		
65846-003-MIL		D I S C O N T I N U E D		
65846-004-MIL		D I S C O N T I N U E D		
65846-005-MIL		D I S C O N T I N U E D		
65846-006-MIL		D I S C O N T I N U E D		
65846-007-MIL		D I S C O N T I N U E D		
65846-008-MIL		D I S C O N T I N U E D		
65846-009-MIL		D I S C O N T I N U E D		
65846-010-MIL		D I S C O N T I N U E D		
65846-011-MIL		D I S C O N T I N U E D		
65846-012-MIL		D I S C O N T I N U E D		
65846-013-MIL		D I S C O N T I N U E D		
65846-014-MIL		D I S C O N T I N U E D		
65846-015-MIL		D I S C O N T I N U E D		
65846-016-MIL		D I S C O N T I N U E D		
65846-017-MIL		D I S C O N T I N U E D		
65846-018-MIL		D I S C O N T I N U E D		
65846-019-MIL		D I S C O N T I N U E D		
65846-020-MIL		D I S C O N T I N U E D		
65846-021-MIL		D I S C O N T I N U E D		
65846-022-MIL		D I S C O N T I N U E D		
65846-023-MIL		D I S C O N T I N U E D		
65846-024-MIL		D I S C O N T I N U E D		
65846-025-MIL		D I S C O N T I N U E D		
65846-026-MIL		D I S C O N T I N U E D		
65846-027-MIL		D I S C O N T I N U E D		
65846-028-MIL		D I S C O N T I N U E D		
65846-029-MIL		D I S C O N T I N U E D		
65846-030-MIL		D I S C O N T I N U E D		
65846-031-MIL		D I S C O N T I N U E D		
65846-032-MIL		D I S C O N T I N U E D		
65846-033-MIL		D I S C O N T I N U E D		
65846-034-MIL		D I S C O N T I N U E D		
65846-035-MIL		D I S C O N T I N U E D		

mat'l. code		surface		tolerance		projection		product family	
SEE NOTE 2		ASME Y14.5		ASME Y14.5				PV HOUSINGS	
ltr	ecn no	dr	date	tolerances unless otherwise specified		INCH/MM		title	
w				angles	XX*01/XX*3	scale 1:1		MINI LATCH HOUSING DOUBLE ROW POLARIZED	
				0°±2'	XXX*005/XXX*8			dwg no	
					XXXX*0020/XXX*051			sheet 4 of 5 size	
		dr	T. BREWBAKER	2006-04-17				65846	
		engr	T. BREWBAKER	2006-04-17				A4	
		chr	T. BREWBAKER	2006-04-17				type Product Customer Drawing	
		appd	T. BREWBAKER	2006-04-17					
sheet	revision								
index	sheet								

PRODUCT NO.  
SEE TABLE



NOTES-4 & 5  
STYLE A

mat'l. code SEE NOTE 2		surface ASME Y14.5 ✓		tolerance ASME Y14.5		projection ⊕		product family PV HOUSINGS	
ltr	ecm no	dr	date	tolerances unless otherwise specified		INCH/MM		title MINI LATCH HOUSING DOUBLE ROW POLARIZED	
w				angles	XX±0.1/XX±3	scale 1:1		dwg no 65846	
				0°±2'	XXX±0.005/XXX±.0			sheet 5 of 5 size A4	
					XXXX±0.020/XXX±0.051			type Product Customer Drawing	
		dr	T. BREWBAKER	2006-04-17					
		engr	T. BREWBAKER	2006-04-17					
		chr	T. BREWBAKER	2006-04-17					
		appd	T. BREWBAKER	2006-04-17					
sheet	revision								
index	sheet								