



AMP

TE Internal #: 641294-1

Power Contacts, Contact, 250 VAC, 250 VDC, Pre-Tin, 26 – 18 AWG

Wire Size, .12 – .8 mm² Wire Size, 236.823 – 1578.82 CMA Wire Size

[View on TE.com >](#)

Connectors > Power Connectors > Power Contacts



Power Contact Type: **Contact**

Operating Voltage: **250 VDC**

Contact Mating Area Plating Material: **Pre-Tin**

Wire Size: **26 – 18 AWG**

Features

Product Type Features

Power Contact Type	Contact
Connector System	Wire-to-Board, Wire-to-Wire
Sealable	No
Connector & Contact Terminates To	Wire & Cable

Configuration Features

Number of Positions	1
---------------------	---

Electrical Characteristics

Operating Voltage	250 VDC
-------------------	---------

Contact Features

Contact Fabrication	Stamped & Formed
Contact Mating Area Plating Material	Pre-Tin
Contact Current Rating (Max)	9 A
Contact Type	Socket
Contact Retention Within Housing	With
Mating Pin Diameter	1.98 mm[.077 in]



Contact Base Material	Phosphor Bronze
Contact Mating Area Plating Material Thickness	.4 μm[15.75 μin]
Wire Contact Termination Area Plating Thickness	.4 μm[15.75 μin]
Wire Contact Termination Area Plating Material	Tin
Contact Orientation	Straight

Termination Features

Termination Method to Wire & Cable	Crimp
------------------------------------	-------

Mechanical Attachment

Wire Insulation Support	With
-------------------------	------

Dimensions

Wire Size	236.823 – 1578.82 CMA
Accepts Wire Insulation Diameter Range	.64 – 2.92 mm[.05 – .115 in]

Usage Conditions

Operating Temperature Range	-55 – 85 °C[-67 – 185 °F]
-----------------------------	---------------------------

Operation/Application

Circuit Application	Power & Signal
---------------------	----------------

Packaging Features

Packaging Method	Reel
------------------	------

Other

Wire/Cable Type	Discrete Wire
-----------------	---------------

Product Compliance

[For compliance documentation, visit the product page on TE.com>](#)

EU RoHS Directive 2011/65/EU	Compliant
EU ELV Directive 2000/53/EC	Compliant
China RoHS 2 Directive MIIT Order No 32, 2016	No Restricted Materials Above Threshold
EU REACH Regulation (EC) No. 1907/2006	Current ECHA Candidate List: JUNE 2022 (224) Candidate List Declared Against: JAN 2022 (223) SVHC > Threshold: Not Yet Reviewed
Halogen Content	Low Halogen - Br, Cl, F, I < 900 ppm per homogenous material. Also BFR/CFR/PVC

Free

Solder Process Capability

Not applicable for solder process capability

Product Compliance Disclaimer

This information is provided based on reasonable inquiry of our suppliers and represents our current actual knowledge based on the information they provided. This information is subject to change. The part numbers that TE has identified as EU RoHS compliant have a maximum concentration of 0.1% by weight in homogenous materials for lead, hexavalent chromium, mercury, PBB, PBDE, DBP, BBP, DEHP, DIBP, and 0.01% for cadmium, or qualify for an exemption to these limits as defined in the Annexes of Directive 2011/65/EU (RoHS2). Finished electrical and electronic equipment products will be CE marked as required by Directive 2011/65/EU. Components may not be CE marked. Additionally, the part numbers that TE has identified as EU ELV compliant have a maximum concentration of 0.1% by weight in homogenous materials for lead, hexavalent chromium, and mercury, and 0.01% for cadmium, or qualify for an exemption to these limits as defined in the Annexes of Directive 2000/53/EC (ELV). Regarding the REACH Regulation, the information TE provides on SVHC in articles for this part number is based on the latest European Chemicals Agency (ECHA) 'Guidance on requirements for substances in articles' posted at this URL: <https://echa.europa.eu/guidance-documents/guidance-on-reach>

Compatible Parts



TE Part # 2063388-1
TOOL, EXTRACTION



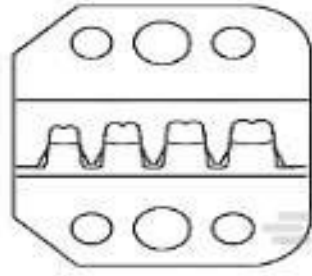
TE Part # 58514-1
PROCRIMP TL W/DIE MR26-18



TE Part # 91526-1
CCII MR II+ REC 26-18 ASSY



TE Part # 2305570-1
TERMINAL CUTTER, SIDE FEED



TE Part # 58514-2
PROCRIMP DIE MR26-18



TE Part # 2-2151229-1
OCEAN-2.0-APPLICATOR-S-055F120F



TE Part # 2-2151229-2
OCEAN-2.0-APPLICATOR-S-055F120F



TE Part # 2151229-1
OCEAN-2.0-APPLICATOR-S-055F120F



TE Part # 2151229-2
OCEAN-2.0-APPLICATOR-S-055F120F



TE Part # 5-2151229-1
OCEAN-2.0-APPLICATOR-S-055F120F



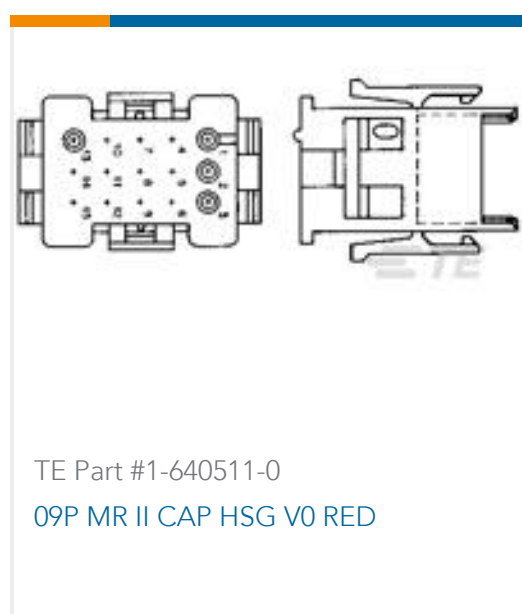
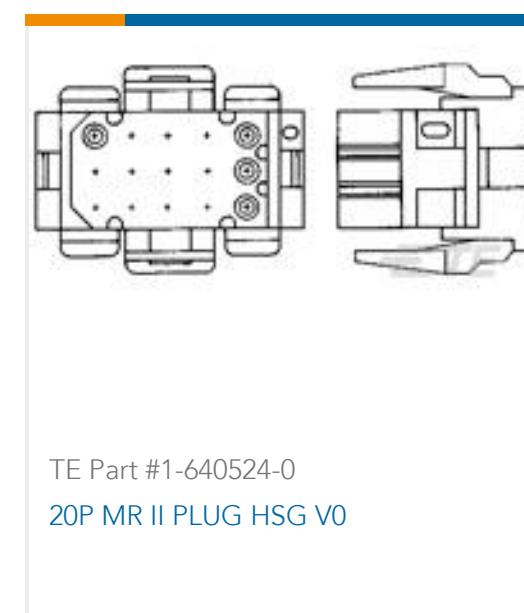
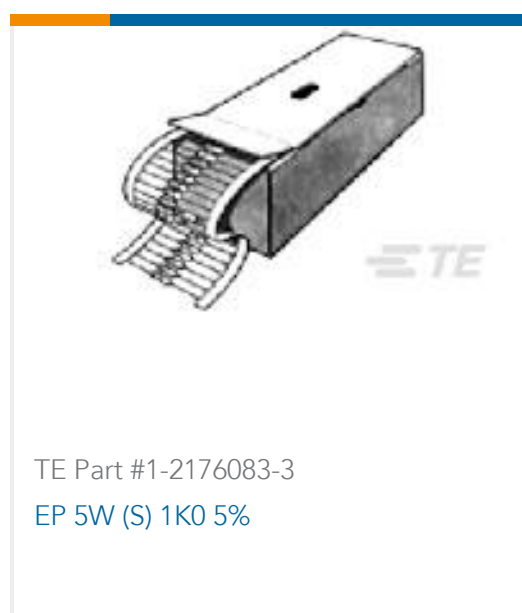
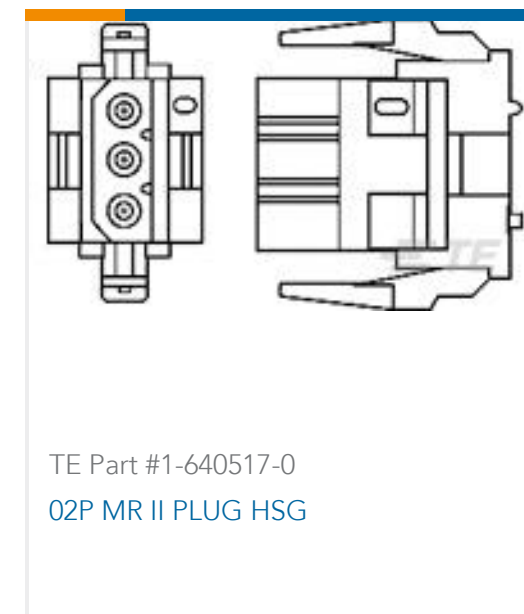
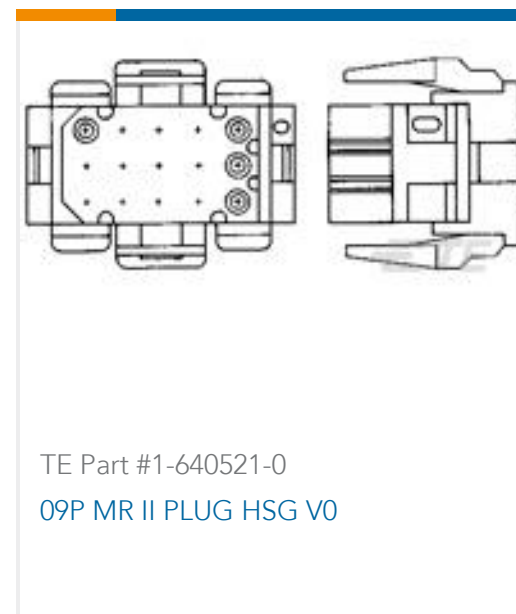
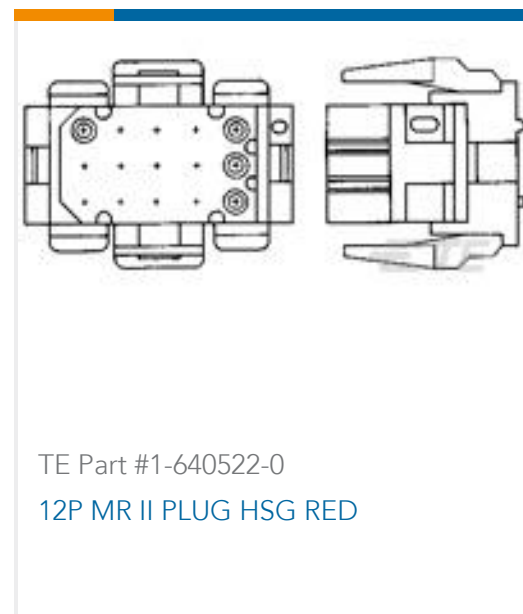
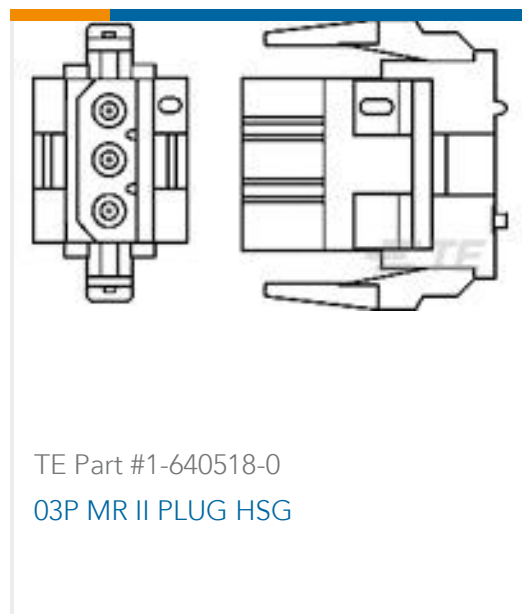
TE Part # 5-2151229-2
OCEAN-2.0-APPLICATOR-S-055F120F



TE Part # 7-2151229-1
OCEAN-2.0-APPLICATOR-S-055F120F



Customers Also Bought



Documents

Product Drawings

MR RECPT 26-18 PTPHBZ

English

CAD Files

3D PDF

3D

Customer View Model

ENG_CVM_CVM_641294-1_T.2d_dxf.zip



English

Customer View Model

[ENG_CVM_CVM_641294-1_T.3d_igs.zip](#)

English

Customer View Model

[ENG_CVM_CVM_641294-1_T.3d_stp.zip](#)

English

Customer View Model

[ENG_CVM_641294-1_E1.3d_igs.zip](#)

English

Customer View Model

[ENG_CVM_641294-1_E1.3d_stp.zip](#)

English

Customer View Model

[ENG_CVM_641294-1_E1.2d_dxf.zip](#)

English

3D PDF

English

By downloading the CAD file I accept and agree to the [Terms and Conditions](#) of use.

Datasheets & Catalog Pages

[SOFT_SHELL_PIN_AND_SOCKET_CONNECTORS_CATALOG](#)

English

Product Specifications

[Application Specification](#)

English

Product Environmental Compliance

[MD_641294-1_06112018133_dmtec](#)

English

[MD_641294-1_06112018133_dmtec](#)

English