

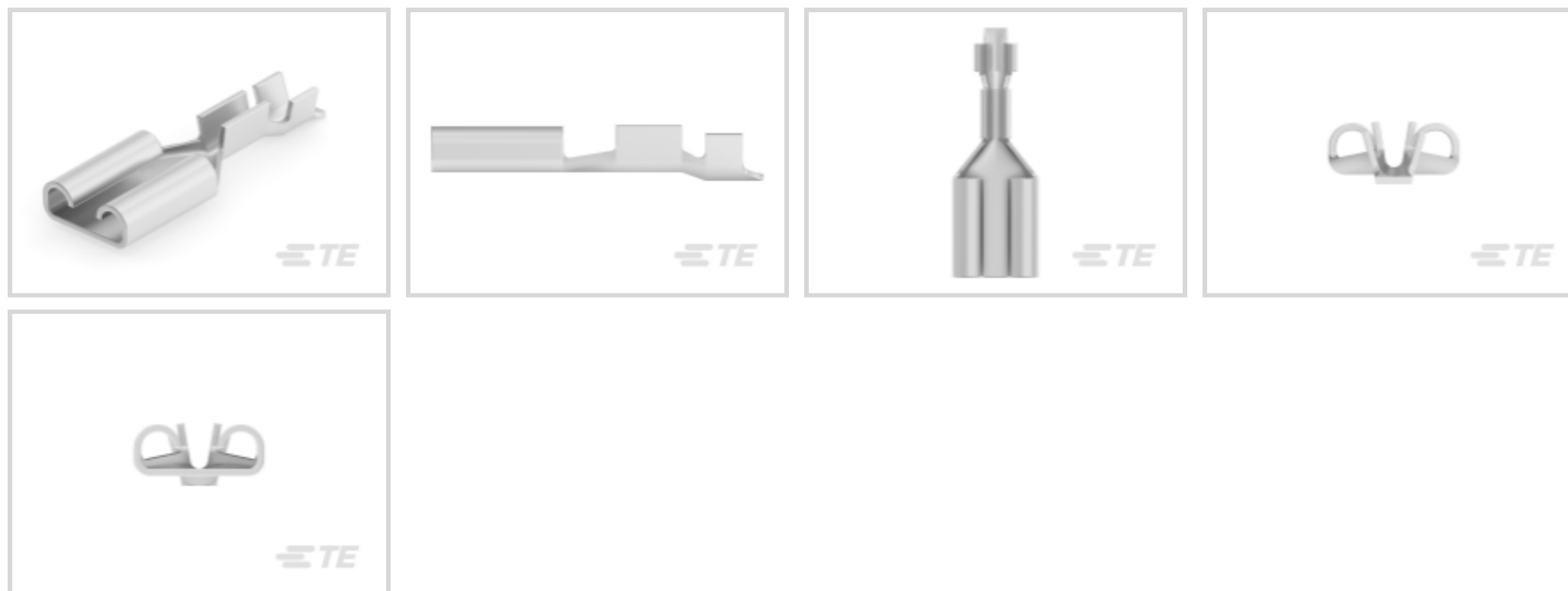
60573-1 ✓ ACTIVE

FASTON 187

TE Internal #: 60573-1

TE Internal Description: 187 FASTON REC 24-20 TPBR

[View on TE.com >](#)



Product Compliance

[For compliance documentation, visit the product page on TE.com>](#)

EU RoHS Directive 2011/65/EU	Compliant
EU ELV Directive 2000/53/EC	Compliant
China RoHS 2 Directive MIIT Order No 32, 2016	No Restricted Materials Above Threshold
EU REACH Regulation (EC) No. 1907/2006	Current ECHA Candidate List: JUNE 2022 (224) Candidate List Declared Against: JAN 2022 (223) SVHC > Threshold: Not Yet Reviewed
Halogen Content	Low Halogen - Br, Cl, F, I < 900 ppm per homogenous material. Also BFR/CFR/PVC Free
Solder Process Capability	Not applicable for solder process capability

Product Compliance Disclaimer

This information is provided based on reasonable inquiry of our suppliers and represents our current actual knowledge based on the information they provided. This information is subject to change. The part numbers that TE has identified as EU RoHS compliant have a maximum concentration of 0.1% by weight in homogenous materials for lead, hexavalent chromium, mercury, PBB, PBDE, DBP, BBP, DEHP, DIBP, and 0.01% for cadmium, or qualify for an exemption to these limits as defined in the Annexes of Directive 2011/65/EU (RoHS2). Finished electrical and electronic equipment products will be CE marked as required by Directive 2011/65/EU. Components may not be CE marked. Additionally, the part numbers that TE has identified as EU ELV compliant have a maximum concentration of 0.1% by weight in homogenous materials for lead, hexavalent chromium, and mercury, and 0.01% for cadmium, or qualify for an exemption to these limits as defined in the Annexes of Directive 2000/53/EC (ELV). Regarding the REACH Regulation, the information TE provides on SVHC in articles for this part number is based on the latest European Chemicals Agency (ECHA) 'Guidance on requirements for substances in articles' posted at this URL: <https://echa.europa.eu/guidance-documents/guidance-on-reach>

Compatible Parts

TE Part # 2150072-1
OCEAN_2.0_Applicator-E-055F080F

TE Part # 180436-2
110 FASTON,REC.,26-18 AWG,TPBR

TE Part # 2-2150072-1
OCEAN_2.0_Applicator-E-055F080F

TE Part # 2-2150072-2
OCEAN_2.0_Applicator-E-055F080F

TE Part # 2150072-2
OCEAN_2.0_Applicator-E-055F080F

TE Part # 2232974-1
187 FASTON,REC.,24-20 AWG,BR

TE Part # 7-2150072-1
OCEAN_2.0_Applicator-E-055F080F

TE Part # 7-2150072-2
OCEAN_2.0_Applicator-E-055F080F

KIT
REPRESENTATION ONLY

TE Part # 7-2150072-7
OCEAN_2.0_SPARE_PART_KIT-055F080F

TE Part # 881624-7
187 FASTON REC 17-14 AWG TPBR

TE Part # 60674-1
205 FASTON REC 26-22 AWG TPBR

Also in the Series | **FASTON 187**

Crimp Terminal Housings(41)

Insertion & Extraction Tools(1)

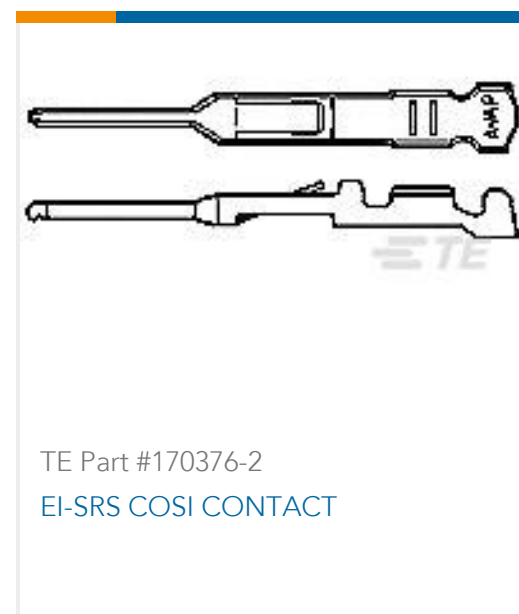
Joints & Splices(1)

PCB Terminals(48)

Quick Disconnects(214)

Splices(1)

Customers Also Bought



Documents

Product Drawings

187 FASTON REC 24-20 TPBR

English

CAD Files

Customer View Model

[ENG_CVM_CVM_60573-1_AK.2d_dxf.zip](#)

English

3D PDF

3D

Customer View Model

[ENG_CVM_CVM_60573-1_AK.3d_igs.zip](#)

English

Customer View Model

[ENG_CVM_CVM_60573-1_AK.3d_stp.zip](#)

English

By downloading the CAD file I accept and agree to the [Terms and Conditions](#) of use.

Datasheets & Catalog Pages



82004 FASTON Terminals (Insulated and Uninsulated) Catalog - FASTON Receptacles Section

English

Product Specifications

Application Specification

English

Application Specification

English

Wire Preparation And Crimp Inspection Guide

English

Product Environmental Compliance

MD_60573-1_092620181339_dmtec

English

MD_60573-1_092620181339_dmtec

English