

Component-to-wire connectors **FCI**

HPCS

2/3/4/5/6 way sealed female housings for 2.8 mm terminals

Features

- 2 to 6 position housing available
- Waterproof application with single wire seal
- Lateral secondary lock for terminal position assurance (T.P.A.)
- Circumferential interface seal
- Plastic locking feature
- Mechanical polarization
- Several codings available



Performance characteristics

- Temperature range: from -40°C to +120°C
- Contact retention force: > 80 N
- Contact insertion force: < 20 N
- Connector mating force: < 100 N

Construction

- Housing material: PBT
- Circumferential interface seal: Silicone

Tooling

- Terminal removal tool: Consult us
- Mini-applicator: Consult us

Connector compatibility

- Usable terminals: HPCS 2.8 mm female terminals

Part Numbers	No. of position	Terminal size	Colour
6 040 40 01	2	2.8 mm	Black
6 040 40 11	2	2.8 mm	Black
6 040 40 21	2	2.8 mm	Black
6 040 41 01	3	2.8 mm	Black
6 040 42 01	4	2.8 mm	Black
6 040 43 21	5	2.8 mm	Black
6 040 43 11	5	2.8 mm	Black
6 040 43 01	5	2.8 mm	Black
6 040 44 01	6	2.8 mm	Black

Component-to-wire connectors **FCI**

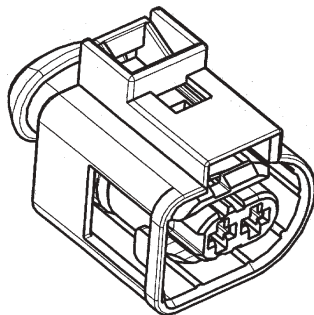
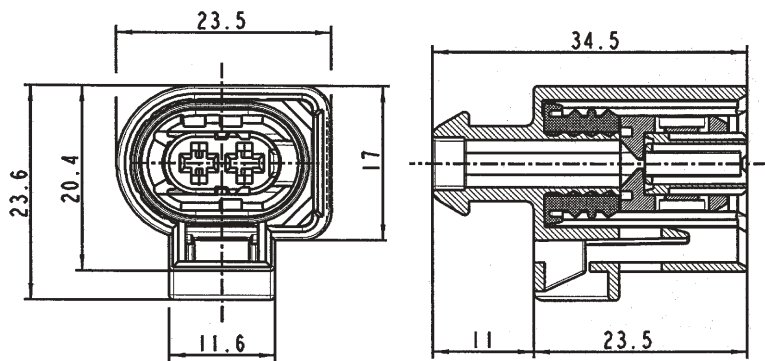
HPCS

2/3/4/5/6 way sealed female housings for 2.8 mm terminals

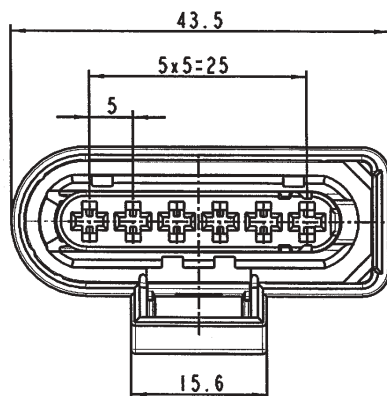
Dimensional characteristics

Notes:

2 way female housing



6 way female housing



Direct Links ...

- Cross Reference
- RoHS/LF P/N search
- Document & Drawing search
- Application tooling

Services ...

- Contact us
- Distributor list
- Pricing request
- Order samples

Literature ...

- Brochures & catalogs
- Product documentation
- Technical library

Start > Search=60404311* > **60404311**

60404311



60404311

5 way component-to-wire Female housing

ACTIVE

[Customer Drawing](#)

Automotive division

[Assistant](#) [Add to Favorites](#)

[Email Datasheet](#) [Print Datasheet](#)

FCI Brings You More

- [Contact our sales/technical support](#)
- [Sample request](#)
- [Price request](#)

Specifications

General Mechanical Physical Terminal 1 Type Environmental Other Features

General

Application	Component to Wire
Ways	5
Coding version	Black
Product Type	Housing
Coding	Yes
Family	Engine Compartment Connectors
	Mechanical Polarization Circumferential Interface Seal

Features	Waterproof Application with Single Wire Seal (S.W.S.) Lateral Secondary Lock for Terminal Position Assurance (T.P.A.) Plastic Locking Feature
Hybrid	No
Main Terminal family	HPCS
Main Terminal size	2.8 mm
Sealed	Yes
Terminal Size	2.8
Mechanical	
Connector mating force	< 100N
Physical	
Color	Black
Material	PBT
Temperature (Range)	-40°C to+120°C
Terminal 1 Type	
Terminal type 1	HPCS Female 2.8 mm Terminal
Ways for Terminal Type 1	5
Contact insertion force for Terminal Type 1	< 20N
Retention force (Contact) for Terminal Type 1	> 80N
Environmental	
IMDS	Yes
Other Features	
Type	Female
Disclaimer	Displayed data is for information purposes only. For more information, please contact your local sales office. The supply of some products might be limited to some customers.