



MTA 156

TE Internal #: 640643-3

PCB Connector Covers, Cover, 3 Position, .156 in [3.96 mm]
Centerline, Polyester, Standard Product Profile, Dust Protection,
MTA 156

[View on TE.com >](#)

Connectors > PCB Connectors > PCB Connector Accessories > Protection & Strain Relief > PCB Connector Covers



Protection & Strain Relief Accessory Type: **Cover**

Number of Positions: **3**

Centerline (Pitch): **3.96 mm [.156 in]**

Primary Product Material: **Polyester**

Product Profile: **Standard**

Features

Product Type Features

| | |
|---|-----------------|
| Protection & Strain Relief Accessory Type | Cover |
| Product Profile | Standard |
| Connector Cover Type | Dust Protection |

Configuration Features

| | |
|---------------------|---|
| Number of Positions | 3 |
|---------------------|---|

Body Features

| | |
|--------------------------|-----------|
| Primary Product Color | Natural |
| Primary Product Material | Polyester |

Housing Features

| | |
|--------------------|------------------|
| Centerline (Pitch) | 3.96 mm[.156 in] |
|--------------------|------------------|

Usage Conditions

| | |
|---|----------------------------|
| Compatible With IDC Installation Type Connector | Feed Thru |
| Operating Temperature Range | -55 – 105 °C[-67 – 221 °F] |



Industry Standards

| | |
|------------------------|----------|
| UL Flammability Rating | UL 94V-0 |
|------------------------|----------|

Product Compliance

[For compliance documentation, visit the product page on TE.com>](#)

| | |
|---|--|
| EU RoHS Directive 2011/65/EU | Compliant |
| EU ELV Directive 2000/53/EC | Compliant |
| China RoHS 2 Directive MIIT Order No 32, 2016 | No Restricted Materials Above Threshold |
| EU REACH Regulation (EC) No. 1907/2006 | Current ECHA Candidate List: JUNE 2022 (224) Candidate List Declared Against: JAN 2022 (223) SVHC > Threshold: Not Yet Reviewed |
| Halogen Content | Not Low Halogen - contains Br or Cl > 900 ppm. |
| Solder Process Capability | Not applicable for solder process capability |

Product Compliance Disclaimer

This information is provided based on reasonable inquiry of our suppliers and represents our current actual knowledge based on the information they provided. This information is subject to change. The part numbers that TE has identified as EU RoHS compliant have a maximum concentration of 0.1% by weight in homogenous materials for lead, hexavalent chromium, mercury, PBB, PBDE, DBP, BBP, DEHP, DIBP, and 0.01% for cadmium, or qualify for an exemption to these limits as defined in the Annexes of Directive 2011/65/EU (RoHS2). Finished electrical and electronic equipment products will be CE marked as required by Directive 2011/65/EU. Components may not be CE marked. Additionally, the part numbers that TE has identified as EU ELV compliant have a maximum concentration of 0.1% by weight in homogenous materials for lead, hexavalent chromium, and mercury, and 0.01% for cadmium, or qualify for an exemption to these limits as defined in the Annexes of Directive 2000/53/EC (ELV). Regarding the REACH Regulation, the information TE provides on SVHC in articles for this part number is based on the latest European Chemicals Agency (ECHA) 'Guidance on requirements for substances in articles' posted at this URL: <https://echa.europa.eu/guidance-documents/guidance-on-reach>

Compatible Parts



TE Part # CAT-103156-WBHSM
3.96mm Wire-to-board housing: receptacle, with mating alignment, SL 156



TE Part # 640251-3
03P SL156 HSG W/O RAMP NATL



TE Part # 3-644460-3
03P MTA156 CONN ASSY 18AWG ORA



TE Part # 640384-3
03P MTA156 HDR ASSY STR RND SN



TE Part # 3-640429-3
03P MTA156 CONN ASSY 24AWG WHT



TE Part # 640389-3
03P MTA156 HDR ASSY SQ R/A F/L



TE Part # 3-641119-3
03P MTA156 HDR ASSY FL/ST LF



TE Part # 3-640427-3
03P MTA156 CONN ASSY 20AWG YEL



TE Part # 3-640599-3
03P MTA156 CONN ASSY 18AWG ORA



TE Part # 3-643821-3
03P MTA156 CONN ASSY 26AWG LF



TE Part # 2-647127-3
03P MTA156 SHRD HDR ASSY LF



TE Part # 3-640426-3
03P MTA156 CONN ASSY 18AWG ORA



TE Part # 3-643191-3
03P MTA156 CONN ASSY H/F 18AWG



TE Part # 3-641209-3
03P MTA156 HDR ASSY FL ST LF



TE Part # 3-643817-3
03P MTA156 CONN ASSY 18AWG ORA



TE Part # 3-641437-3
03P MTA156 PSTD CONN ASSY RED



TE Part # 3-640600-3
03P MTA156 CONN ASSY 20AWG LF



TE Part # 3-643819-3
03P MTA156 CONN ASSY 22AWG RED




TE Part # 3-640428-3
03P MTA156 CONN ASSY 22AWG RED



TE Part # 640388-3
03P MTA156 HDR ASSY RN STR F/L

Also in the Series | **MTA 156**



Insertion & Extraction Tools(1)



PCB Connector Covers(92)



PCB Connector Keying(2)



PCB Connector Mounting(1)



PCB Headers & Receptacles(729)



Power Contacts(3)



Rectangular Caps & Covers(1)



Rectangular Power Connectors(749)

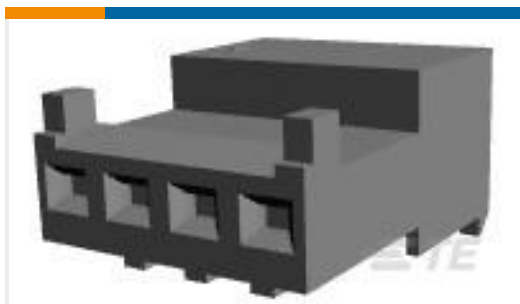


Standard Rectangular Connectors (1309)

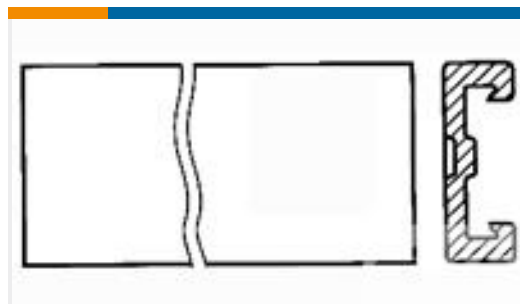


Wire-to-Board Connector Contacts(12)

Customers Also Bought



TE Part #3-643814-4
04P MTA100 CONN ASSY POL RIB



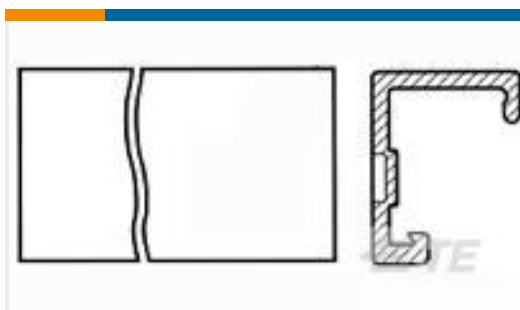
TE Part #1-640642-0
10P MTA100 COVER F/T



TE Part #3-640600-2
02P MTA156 CONN ASSY 20AWG LF



TE Part #3-640600-3
03P MTA156 CONN ASSY 20AWG LF



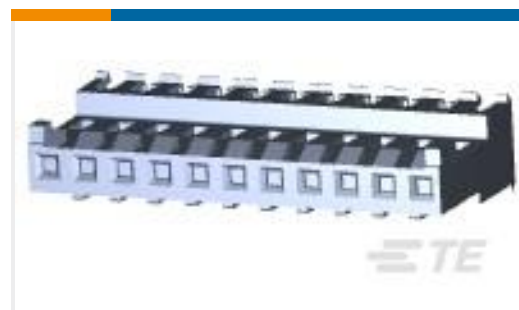
TE Part #640551-3
03P MTA156 COVER



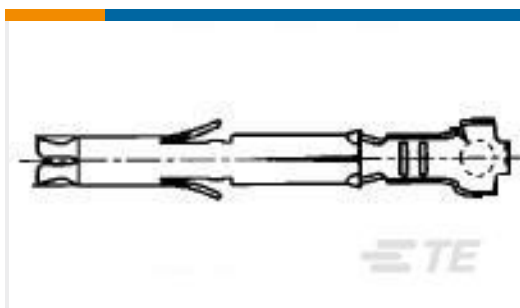
TE Part #3-644615-3
03P MTA156 POL HDR ASSY LF



TE Part #794407-1
MINI UNML SCKT 20-16 AWG SN



TE Part #4-644467-1
11P MTA156 CONN ASSY 22AWG LF



TE Part #170365-4
MINI UNIVERSAL M-N-L SOCKET LP

Documents



Product Drawings

03P MTA156 COVER F/T

English

CAD Files

3D PDF

3D

Customer View Model

[ENG_CVM_CVM_640643-3_N.2d_dxf.zip](#)

English

Customer View Model

[ENG_CVM_CVM_640643-3_N.3d_igs.zip](#)

English

Customer View Model

[ENG_CVM_CVM_640643-3_N.3d_stp.zip](#)

English

Customer View Model

[ENG_CVM_640643-3_R.3d_igs.zip](#)

English

Customer View Model

[ENG_CVM_640643-3_R.3d_stp.zip](#)

English

Customer View Model

[ENG_CVM_640643-3_R.2d_dxf.zip](#)

English

3D PDF

English

By downloading the CAD file I accept and agree to the [Terms and Conditions](#) of use.

Datasheets & Catalog Pages

MTA, CST-100 II, SL-156 and AMP Economy Power (EP) Connectors

English

Product Specifications

Application Specification

Japanese

Application Specification

English

MTA 156 Ribbon Cable Connector Assemblies (English And Spanish)

English

MTA 156 Ribbon Cable Connector Assemblies (English And Spanish)

Japanese