



Connectors > Power Connectors > Power Contacts

Power Contact Type: **Contact**Contact Mating Area Plating Material: **Silver**Wire Size: **5 – 6 mm²**Connector System: **Wire-to-Wire**

Features

Product Type Features

Power Contact Type	Contact
Connector System	Wire-to-Wire
Connector & Contact Terminates To	Wire & Cable

Electrical Characteristics

Test Current	35 A
--------------	------

Contact Features

Contact Mating Area Plating Material	Silver
Contact Current Rating (Max)	35 A
Contact Type	Tab
Mating Tab Width	5.84 mm[.23 in]
Mating Tab Thickness	2.67 mm[.105 in]
Contact Base Material	Copper
Contact Mating Area Plating Material Thickness	2.54 μm[100 μin]
Wire Contact Termination Area Plating Thickness	2.54 μm[100 μin]
Wire Contact Termination Area Plating Material	Silver
Wire Contact Termination Area Plating Material Finish	Bright
Contact Orientation	Right Angle
Contact Underplating Material	Copper

Termination Features



Termination Method to Wire & Cable	Crimp
------------------------------------	-------

Mechanical Attachment

Wire Insulation Support	With
-------------------------	------

Dimensions

Wire Size	5 – 6 mm ²
Accepts Wire Insulation Diameter Range	4.83 – 5.59 mm [.19 – .22 in]

Usage Conditions

Operating Temperature Range	-40 – 85 °C [-40 – 185 °F]
-----------------------------	----------------------------

Operation/Application

Circuit Application	Power
---------------------	-------

Packaging Features

Packaging Method	Reel
Packaging Quantity	1500

Other

Wire/Cable Type	Discrete Wire
For Use With	CPC Connectors, G Series Connectors, M Series Connectors

Product Compliance







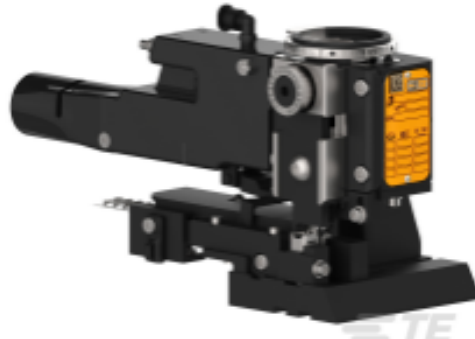
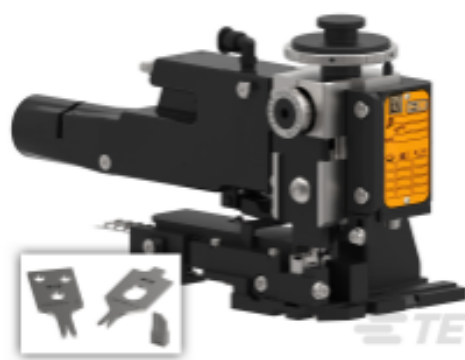
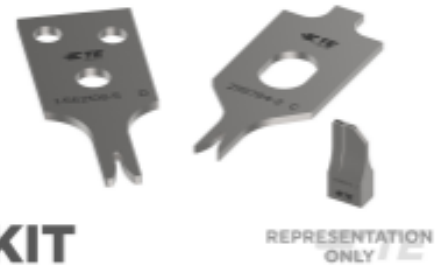

[For compliance documentation, visit the product page on TE.com>](#)

EU RoHS Directive 2011/65/EU	Compliant with Exemptions
EU ELV Directive 2000/53/EC	Compliant
China RoHS 2 Directive MIIT Order No 32, 2016	Restricted Materials Above Threshold
EU REACH Regulation (EC) No. 1907/2006	Current ECHA Candidate List: JUNE 2022 (224) Candidate List Declared Against: JAN 2021 (211) SVHC > Threshold: Pb (4.4% in BODY & NUT) Article Safe Usage Statements: Do not eat, drink or smoke when using this product. Wash thoroughly after handling. Recycle if possible and dispose of the article by following all applicable governmental regulations relevant to your geographic location.
Halogen Content	Low Halogen - Br, Cl, F, I < 900 ppm per homogenous material. Also BFR/CFR/PVC Free
Solder Process Capability	Not applicable for solder process capability

Product Compliance Disclaimer

This information is provided based on reasonable inquiry of our suppliers and represents our current actual knowledge based on the information they provided. This information is subject to change. The part numbers that TE has identified as EU RoHS compliant have a maximum concentration of 0.1% by weight in homogenous materials for lead, hexavalent chromium, mercury, PBB, PBDE, DBP, BBP, DEHP, DIBP, and 0.01% for cadmium, or qualify for an exemption to these limits as defined in the Annexes of Directive 2011/65/EU (RoHS2). Finished electrical and electronic equipment products will be CE marked as required by Directive 2011/65/EU. Components may not be CE marked. Additionally, the part numbers that TE has identified as EU ELV compliant have a maximum concentration of 0.1% by weight in homogenous materials for lead, hexavalent chromium, and mercury, and 0.01% for cadmium, or qualify for an exemption to these limits as defined in the Annexes of Directive 2000/53/EC (ELV). Regarding the REACH Regulation, the information TE provides on SVHC in articles for this part number is based on the latest European Chemicals Agency (ECHA) 'Guidance on requirements for substances in articles' posted at this URL: <https://echa.europa.eu/guidance-documents/guidance-on-reach>

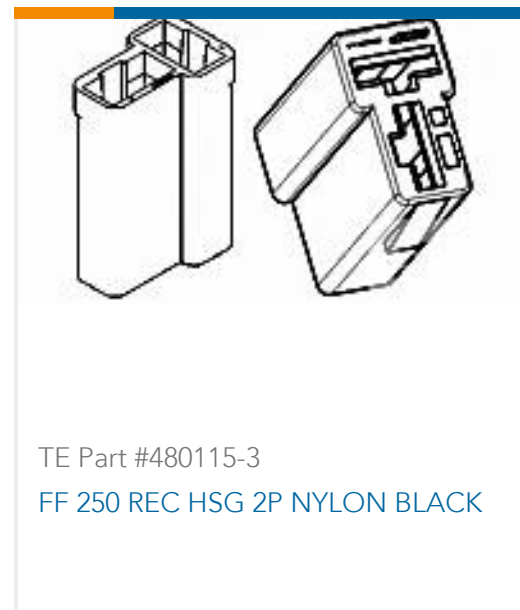
Compatible Parts

 <p>TE Part # 206037-2 CPC PLUG ASSEMBLY SIZE 17-3</p>	 <p>TE Part # 90384-1 HHHT TYPE XII MALE FEMALE 10 ASSY</p>	 <p>TE Part # 7-1579008-6 UNLOCKING TOOL</p>	 <p>TE Part # 2151411-2 OCEAN-2.0-APPLICATOR-S-210F2200</p>
 <p>TE Part # 66741-9 TYPE XII FEMALE CONT (STRIP)</p>	 <p>TE Part # 1-66741-9 TYPE XII FEMALE CONT (STRIP)</p>	 <p>TE Part # 2-2151411-2 OCEAN-2.0-APPLICATOR-S-210F2200</p>	 <p>TE Part # 7-2151411-2 OCEAN-2.0-APPLICATOR-S-210F2200</p>
 <p>KIT REPRESENTATION ONLY</p> <p>TE Part # 7-2151411-7 OCEAN_2.0_SPARE_PART_KIT-210F2200</p>	 <p>TE Part # 567021-3 HDMIBMSMPR210F2200K 66251</p>		

Customers Also Bought



TE Part #776539-4
AS 16, 12P CAP ASSY, RD, KEY 4



TE Part #480115-3
FF 250 REC HSG 2P NYLON BLACK



TE Part #61868-1
RING CRIMP 10-6 AWG TPBR



TE Part #1-1823440-3
22POS, MIXED, REC HSG, ASSY,
SEALED



TE Part #1241978-2
JPT A REC 2.8 Contact SRC Sn



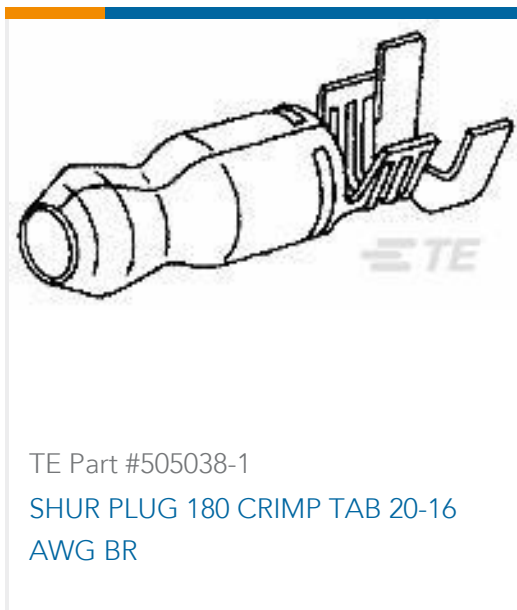
TE Part #SRK-BS-MD-90-001
BKSHL, MED, BLK, RA, NW 17/22



TE Part #320741
TERMINAL, SOLIS R 2 7/16



TE Part #42531-2
SHUR PLUG 180 RECEPTACLE 20-16
AWG TPBR



TE Part #505038-1
SHUR PLUG 180 CRIMP TAB 20-16
AWG BR



TE Part #500037-1
SPIRAP 1/2" NYLON, OUTDR, BLK, 50

Documents

Product Drawings

MALE CONTACT ASSY. (STRIP)

English

CAD Files

3D PDF

3D

Customer View Model

[ENG_CVM_CVM_66253-8_AF_c-66253-8-af.2d_dxf.zip](#)

English

Customer View Model

[ENG_CVM_CVM_66253-8_AF_c-66253-8-af.3d_igs.zip](#)

English

Customer View Model

[ENG_CVM_CVM_66253-8_AF_c-66253-8-af.3d_stp.zip](#)

English

By downloading the CAD file I accept and agree to the [Terms and Conditions](#) of use.

Datasheets & Catalog Pages



[AMP Circular Connectors for Commercial Signal & Power Applications](#)

English

[Power Contacts](#)

English

[M_SERIES_PIN_AND_SOCKET_CONNECTORS](#)

English

[Products for Aerospace and Defense](#)

English

[Product Specifications](#)

[Application Specification](#)

English