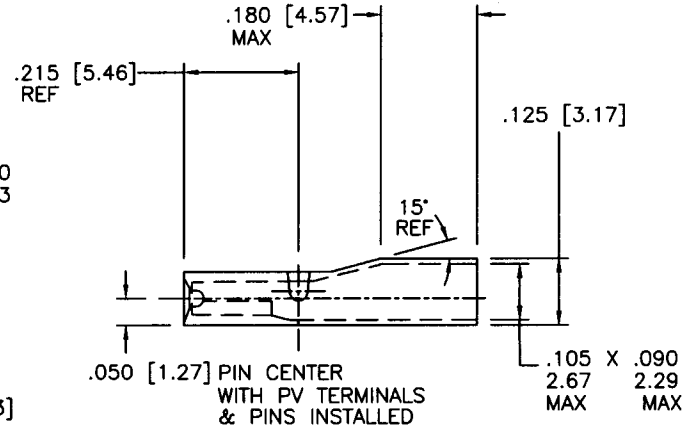
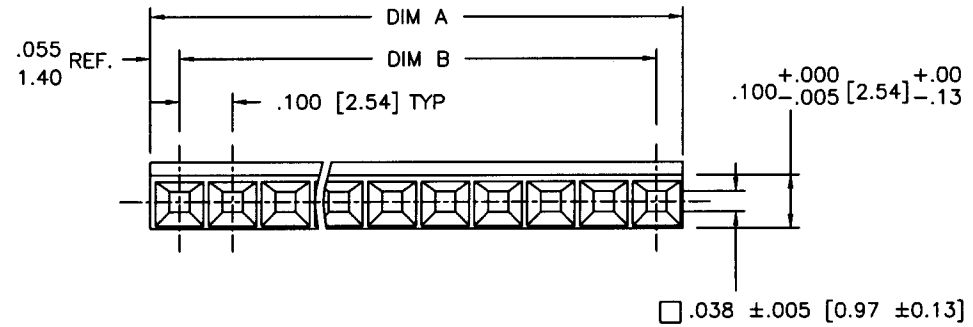
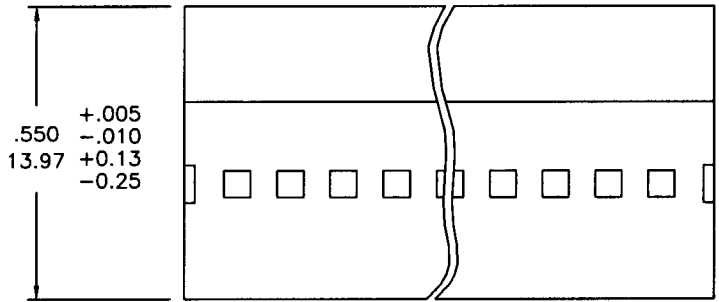


Tous droits strictement reserves. Reproduction ou communication a des tiers interdite sous quelque forme que ce soit sans autorisation écrite du propriétaire. Property of FCI. Droits de reproduction FCI.

All rights strictly reserved. Reproduction or issue to third parties in any form whatever is not permitted without written authority from the proprietor. Property of FCI. Copyright FCI.

PRODUCT NO.  
SEE TABLE



mat'l. code		NOTE 2+1		tolerances unless otherwise specified		CUSTOMER COPY		Electronics www.fciconnect.com	
ltr	ecn no	dr	date	linear	.XX ±.01	projection		title	
A	REVISED	DH	3/7/79		.XXX ±.005	INCH		MINI-ROD HOUSING, 18 AWG	
B	EC1836	FOX	2/11/75	angles	.XXX ±.0020	scale		S/R .100/2.54 CC WITH RODS	
C	REVISED	DH	3/7/79	chr	0° ±2°	3:1		product family	code
D	V51436	SAR	1/24/96	appr	S.ROYER 1/22/96		A	MINI-ROD	-
E	V90988	RGD	6/23/99		T.HANNA 1/22/96			size	sheet
					T.BREWBAKER 1/22/96			65298	1 of 2
					H.YESTEOE 9/22/71				
sheet index	revision sheet	E	E					cage code	
		1	2					22526	

ACAD

PDM: Rev:E

STATUS Released

Printed: Jul 28, 2005

PRODUCT NUMBER	NO. OF CAV.	DIM 'A' MAX.	DIM 'B'	ROD INFORMATION		
				ROD P/N	QTY.	DIM 'C'
65298-001	4	.425 [10.80]	.300 [7.62]	65048 -040	1	1.30/33.02
-002	5	.525 [13.34]	.400 [10.16]		1	
-003	6	.625 [15.88]	.500 [12.70]		1	
-004	7	.725 [18.42]	.600 [15.24]		1	
-005	8	.825 [20.96]	.700 [17.78]		1	
-006	9	.925 [23.50]	.800 [20.32]	-040	1	1.30/33.02
-007	10	1.025 [26.04]	.900 [22.86]	-026	1	2.30/58.42
-008	11	1.125 [28.58]	1.000 [25.40]		1	
-009	12	1.225 [31.12]	1.100 [27.94]		1	
-010	13	1.325 [33.66]	1.200 [30.48]		1	
-011	14	1.425 [36.20]	1.300 [33.02]		1	
-012	15	1.525 [38.74]	1.400 [35.56]		1	
-013	16	1.625 [41.28]	1.500 [38.10]		1	
-014	17	1.725 [43.82]	1.600 [40.64]		1	
-015	18	1.825 [46.36]	1.700 [43.18]		1	
-016	19	1.925 [48.90]	1.800 [45.72]	-026	1	2.30/58.42
65298-017	20	2.025 [51.44]	1.900 [48.26]	65048 -013	1	3.45/87.63

NOTES:

- HOUSING MATERIAL : MODIFIED POLYPHENYLENE OXIDE (NORYL) MEETING UL 94-V0.  
COLOR : BLACK
- ROD MATERIAL : NYLON (NATURAL COLOR) SEE FIGURE #1 FOR DIMENSIONS.
- TO MAKE PROPER CONTACT, ALL MALE PINS FOR EACH HOUSING MUST BE WITHIN ±.015/0.38 IN LENGTH. MIN. PIN LENGTH IS .180/4.57.
- MAX. WIRE CRIMP AND WIRE STRANDS ARE SHOWN IN FIGURE #3 SEE MINI PV™ TERMINAL SPECIFICATION FOR CORRECT CRIMP HT.
- THIS HOUSING IS INTENDED FOR USE WITH MINI PV TERMINAL WITH 18 GAUGE WIRE, MEETING SPECIFICATIONS SHOWN IN FIG.#3.
- HOUSINGS ARE NOT STACKABLE END TO END ON .100/2.54 CENTERS.
- RETENTION RODS ARE INCLUDED WITH MINI ROD HOUSINGS. RODS TO BE TRIMMED AFTER INSERTION.

Tous droits strictement réservés. Reproduction ou communication à des tiers interdite sans autorisation écrite du propriétaire. Propriété de c FCI. Droits de reproduction FCI.

All rights strictly reserved. Reproduction or issue to third parties in any form, electronic, is not permitted without written authority from the proprietor. Property of FCI. Copyright FCI.

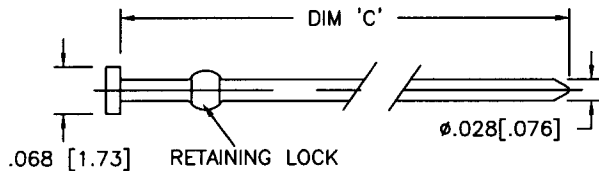


FIG. 1 RETENTION ROD DETAIL SCALE 4:1

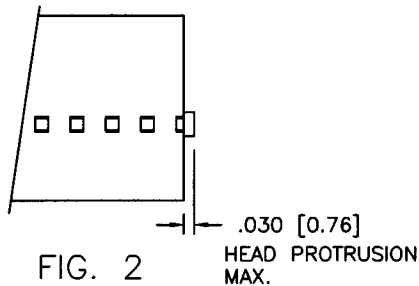


FIG. 2

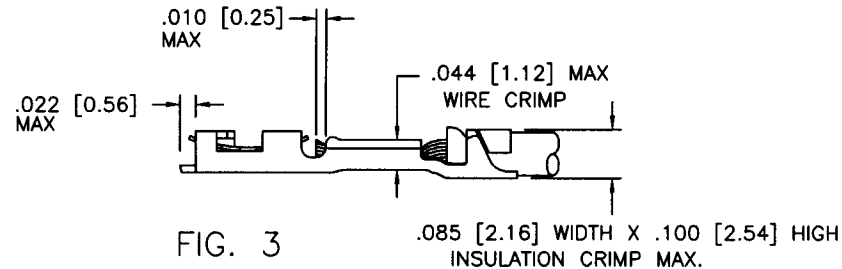


FIG. 3 RECOMMENDED CRIMP INFORMATION

mat'l. code				tolerances unless otherwise specified		CUSTOMER COPY		 www.fciconnect.com	
ltr	ecn no	dr	date	linear	.XX ±.01	projection		title	
E					.XXX ±.005			MINI-ROD HOUSING, 18 AWG	
				angles	.XXX ±.0020			S/R .100/2.54 CC WITH RODS	
				dr	0° ±2'	INCH		product family	
				enr	S.ROYER 1/24/96			MINI-ROD	
				chr	B.UNGER 10/26/71			code	
				appd	F.WILDING 2/7/71			-	
sheet index	revision sheet					scale	1:1	A	65298
									2 of