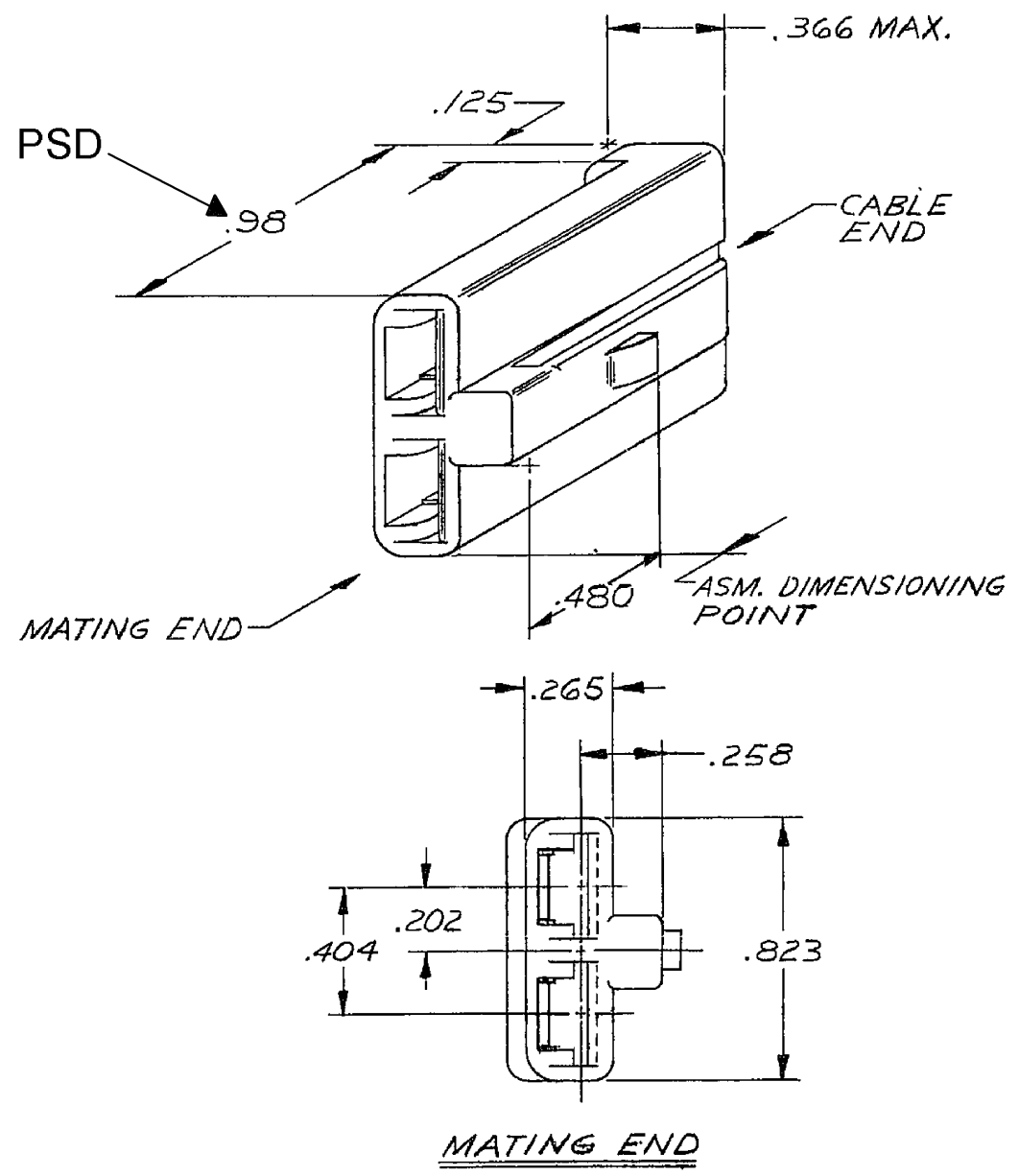


DWG STATUS				ZONE		REVISION HISTORY		AUTH	DR	APV	APV2
DATE	BY	REV	NSP	CHS							
11SE02	R	01	-	-			TAXI DWG CREATED FROM SEPARATE DRAWINGS. ALL PARTS - ADDED DELPHI LOGO & NOTES AND REVISED MATL SPEC.	230384	ARA	ARA	ET
08MR06	R	02	-	-			06284493 - MATL SPEC WAS M3592002	278375	JDA	FRG	PVP



- NOTES
- (.1) X (.01) RAISED DELPHI CORPORATE BRAND TO BE LOCATED ON ANY EXTERIOR SURFACE, PREFERABLY VISIBLE AT FINAL ASSEMBLY. OPTIONAL CONSTRUCTION TO BE "PED" OR NO LOGO
 - MATERIAL RECYCLING CODE >PA66< PER SAE J1344. (.1) X (.01) RAISED CHARACTERS AS SHOWN TO BE LOCATED ON ANY EXTERIOR SURFACE. OPTIONAL CONSTRUCTION TO BE NO MATERIAL RECYCLING CODE.

PART NO	REV	N/P	STATUS	MATERIAL SPECIFICATION AND COLOR
12015684	C2	-		M3592015 PA66 HS IM GRN LT
06294493	04	-		M3592024 PA66 HS IM CRM

DWG TYPE		PART DRAWING	
STYLE		DISTR CODE	D
VOLUME (CM)			
ROUTING	6900		
UNLESS OTHERWISE SPECIFIED			
THIS DRAWING IS A DELPHI PROPERTY. IT IS TO BE KEPT IN THE DELPHI ARCHIVE AND NOT TO BE REPRODUCED OR TRANSMITTED IN ANY FORM OR BY ANY MEANS, ELECTRONIC OR MECHANICAL, INCLUDING PHOTOCOPYING, RECORDING, OR BY ANY INFORMATION STORAGE AND RETRIEVAL SYSTEM. ANY UNAUTHORIZED REPRODUCTION OR TRANSMISSION OF THIS DRAWING IS PROHIBITED.			
REFERENCE			
THIRD ANGLE PROJECTION			

DELPHI

DELPHI PACKARD ELECTRIC SYSTEMS
WARREN, OH

DR	APV2	APV3	APV4	APV5
AMS				
13MR80	13MR80	13MR80	18MR80	

SUBSTANCES OF CONCERN AND RECYCLED CONTENT PER DELPHI-A 1049501

SEE CHART

DRAWING NAME TAXI CONN BODY -56 SERIES LOCK TYPE-2 FEMALE TERMINALS

DRAWING NUMBER 12015701

SIZE	SCALE	FRAME NO	SHEET NO	REV	N/P
A0	NONE	1	1 OF 1	R	02