



SL-156

TE Internal #: 647466-2

Connector Contact, Socket, Wire-to-Board / Wire-to-Wire, 16 AWG

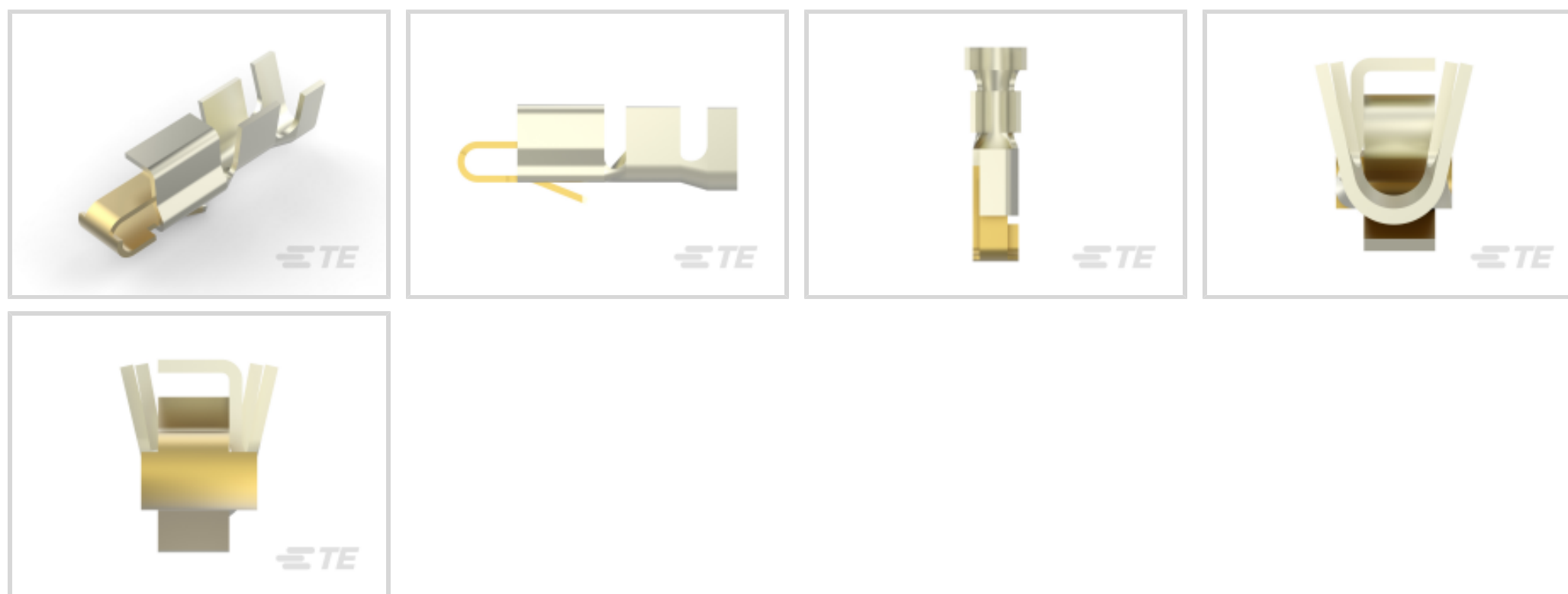
Wire Size, 2550 – 2800 CMA Wire Size, 1.29 – 1.42 mm² Wire Size,

Gold, Reel, SL-156

[View on TE.com >](#)

Connectors > PCB Connectors > Wire-to-Board Connectors > Wire-to-Board Connector Contacts >

Wire-to-Board Connector Contacts: socket, wire size 30-16 AWG, SL 156

Contact Type: **Socket**Connector System: **Wire-to-Board, Wire-to-Wire**Wire Size: **1.29 – 1.42 mm²**[All Wire-to-Board Connector Contacts: socket, wire size 30-16 AWG, SL 156 \(24\)](#)

Features

Product Type Features

Connector System	Wire-to-Board, Wire-to-Wire
Sealable	No
Connector & Contact Terminates To	Wire & Cable

Configuration Features

Compatible With Wire & Cable Type	Discrete Wire
-----------------------------------	---------------

Electrical Characteristics

Operating Voltage	250 VAC
-------------------	---------

Contact Features

Mating Square Post Dimension	1.14 mm[.045 in]
Contact Retention Within Housing	With
Contact Underplating Material Thickness	1.27 μm[50 μin]
Wire Contact Termination Area Plating Thickness	.76 μm
Wire Contact Termination Area Plating Material	Gold



Contact Mating Area Plating Material Thickness	.76 μm[29.92 μin]
--	-------------------

Contact Underplating Material	Nickel
-------------------------------	--------

Contact Base Material	Phosphor Bronze
-----------------------	-----------------

Contact Type	Socket
--------------	--------

Contact Mating Area Plating Material	Gold
--------------------------------------	------

Contact Current Rating (Max)	10 A
------------------------------	------

Termination Features

Termination Method to Wire & Cable	Crimp
------------------------------------	-------

Mechanical Attachment

Contact Retention Type Within Housing	Locking Lance
---------------------------------------	---------------

Connector Mounting Type	Cable Mount (Free-Hanging)
-------------------------	----------------------------

Dimensions

Accepts Wire Insulation Diameter Range	1.78 – 2.84 mm[.07 – .112 in]
--	-------------------------------

Wire Size	1.29 – 1.42 mm ²
-----------	-----------------------------

Usage Conditions

Operating Temperature Range	-55 – 105 °C[-67 – 221 °F]
-----------------------------	----------------------------

Operation/Application

Circuit Application	Power
---------------------	-------

Packaging Features

Packaging Quantity	5500
--------------------	------

Packaging Method	Reel
------------------	------

Product Compliance

[For compliance documentation, visit the product page on TE.com>](#)

EU RoHS Directive 2011/65/EU	Compliant
------------------------------	-----------

EU ELV Directive 2000/53/EC	Compliant
-----------------------------	-----------

China RoHS 2 Directive MIIT Order No 32, 2016	No Restricted Materials Above Threshold
---	---

EU REACH Regulation (EC) No. 1907/2006	Current ECHA Candidate List: JUNE 2022 (224) Candidate List Declared Against: JAN 2022 (223) SVHC > Threshold: Not Yet Reviewed
--	--

Halogen Content	Low Halogen - Br, Cl, F, I < 900 ppm per
-----------------	--

homogenous material. Also BFR/CFR/PVC Free

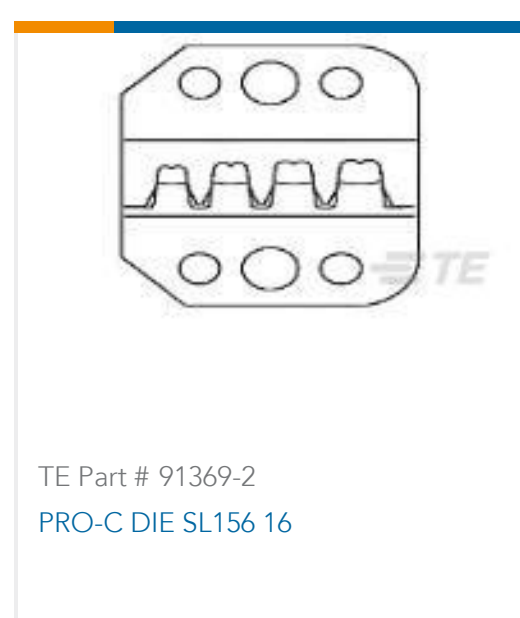
Solder Process Capability

Not applicable for solder process capability

Product Compliance Disclaimer

This information is provided based on reasonable inquiry of our suppliers and represents our current actual knowledge based on the information they provided. This information is subject to change. The part numbers that TE has identified as EU RoHS compliant have a maximum concentration of 0.1% by weight in homogenous materials for lead, hexavalent chromium, mercury, PBB, PBDE, DBP, BBP, DEHP, DIBP, and 0.01% for cadmium, or qualify for an exemption to these limits as defined in the Annexes of Directive 2011/65/EU (RoHS2). Finished electrical and electronic equipment products will be CE marked as required by Directive 2011/65/EU. Components may not be CE marked. Additionally, the part numbers that TE has identified as EU ELV compliant have a maximum concentration of 0.1% by weight in homogenous materials for lead, hexavalent chromium, and mercury, and 0.01% for cadmium, or qualify for an exemption to these limits as defined in the Annexes of Directive 2000/53/EC (ELV). Regarding the REACH Regulation, the information TE provides on SVHC in articles for this part number is based on the latest European Chemicals Agency (ECHA) 'Guidance on requirements for substances in articles' posted at this URL: <https://echa.europa.eu/guidance-documents/guidance-on-reach>

Compatible Parts



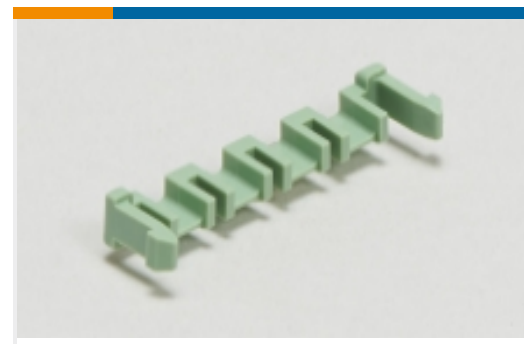
Also in the Series | **SL-156**



Insertion & Extraction Tools(1)



PCB Connector Keying(2)



PCB Latches, Locks & Retainers(1)



Rectangular Connector Housings(12)



Rectangular Connector Keying Plugs(1)

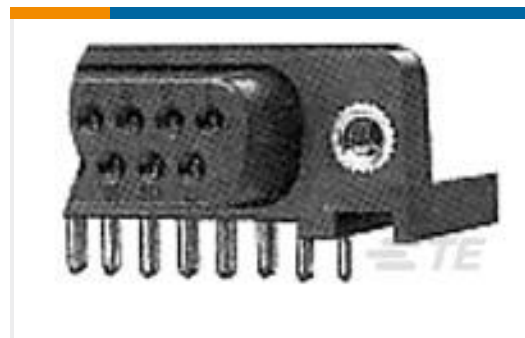


Wire-to-Board Connector Assemblies & Housings(158)



Wire-to-Board Connector Contacts(24)

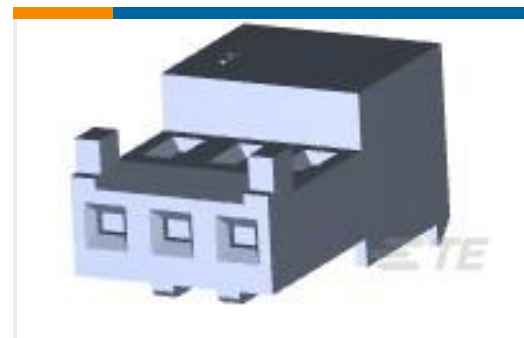
Customers Also Bought



TE Part #5788798-1
15 HTMSFL ASSY RA 318 (IN,BL)



TE Part #5748612-1
25 RCPT SP/FMS BRDLK



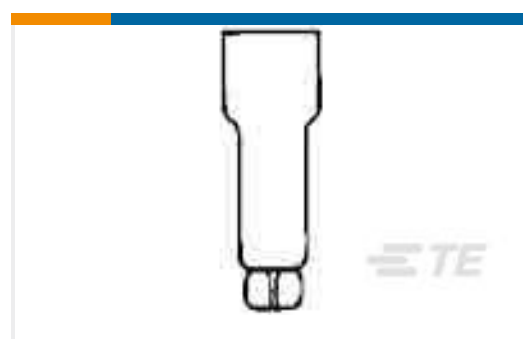
TE Part #3-644042-3
03P MTA100 CONN ASSY LF



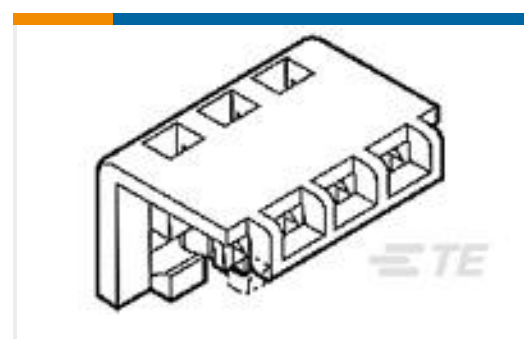
TE Part #178307-2
DYNAMIC D3100 HDR ASSY 16P



TE Part #350824-4
02P UMNL HDR ASSY PC LF



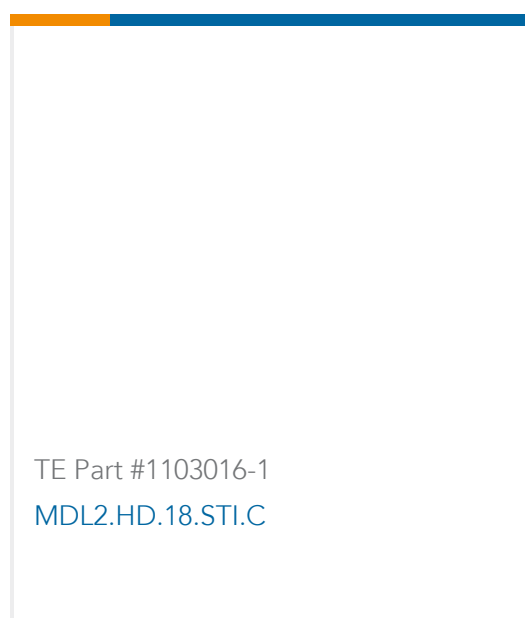
TE Part #36964
SPLICE,CE 22-14



TE Part #643067-3
03P MTA156 MOLDED COVER



TE Part #1-1625892-5
3W SM M/OX 5% 150R



TE Part #1103016-1
MDL2.HD.18.STLC



TE Part #2-1105000-3
HD.M-C-STI.SN.0,5

Documents



Product Drawings

SL156 RECPT,AUNI/PHBZ,16AWG

English

CAD Files

3D PDF

3D

Customer View Model

[ENG_CVM_CVM_647466-2_D.2d_dxf.zip](#)

English

Customer View Model

[ENG_CVM_CVM_647466-2_D.3d_igs.zip](#)

English

Customer View Model

[ENG_CVM_CVM_647466-2_D.3d_stp.zip](#)

English

Customer View Model

[ENG_CVM_647466-2_C.3d_igs.zip](#)

English

Customer View Model

[ENG_CVM_647466-2_C.3d_stp.zip](#)

English

Customer View Model

[ENG_CVM_647466-2_C.2d_dxf.zip](#)

English

3D PDF

English

By downloading the CAD file I accept and agree to the [Terms and Conditions](#) of use.

Datasheets & Catalog Pages

MTA, CST-100 II, SL-156 and AMP Economy Power (EP) Connectors

English

Product Specifications

Application Specification

English

Instruction Sheets

Instruction Sheet (U.S.)

English

Instruction Sheet (U.S.)

English