

# 60885-2 ✓ ACTIVE

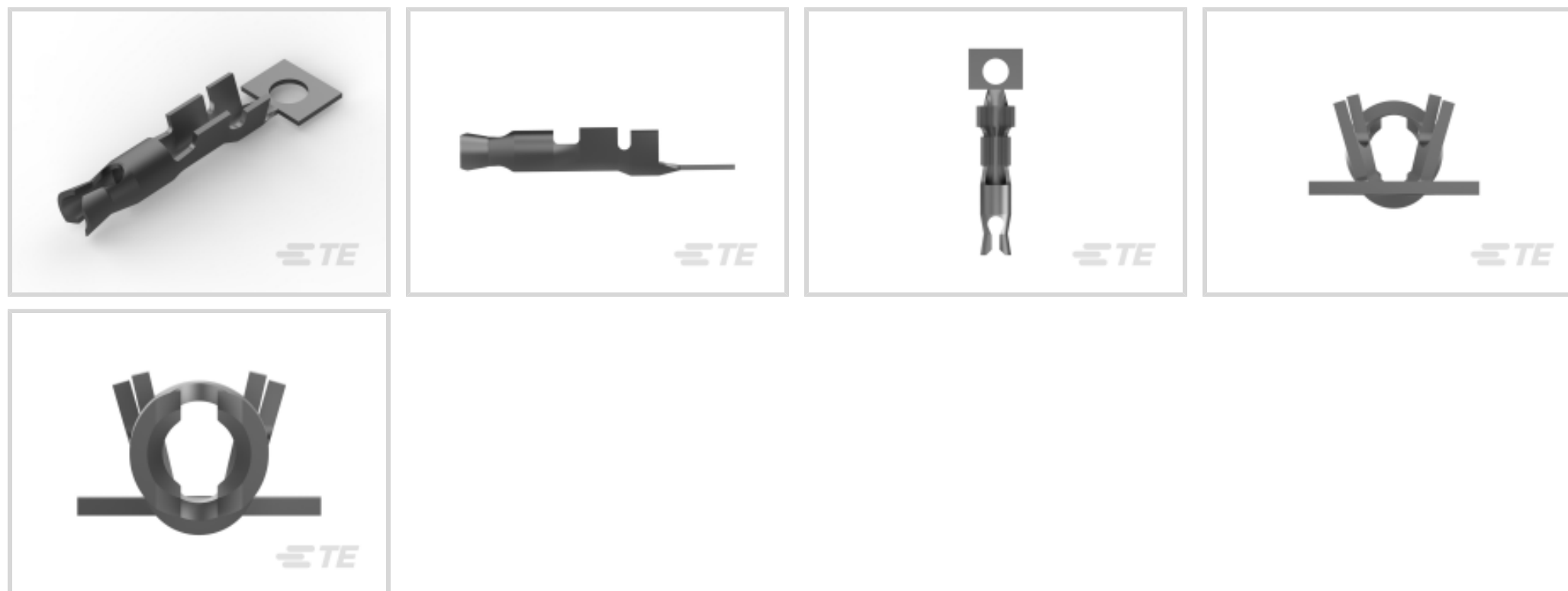
TE Internal #: 60885-2

Crimp Wire Pins, Tabs & Ferrules, Receptacle, Pin Diameter 1.39 mm [.055 in], 24 – 20 AWG Wire Size, .2 – .6 mm<sup>2</sup> Wire Size, 404 – 1021 CMA Wire Size

[View on TE.com >](#)



Terminals & Splices > Crimp Wire Pins, Tabs & Ferrules



Crimp Wire Pin, Tab & Ferrule Terminal Type: **Receptacle**

Pin Diameter: **1.39 mm [.055 in]**

Accepts Wire Insulation Diameter Range: **1.22 – 1.8 mm, 1.8 mm [.048 – .071 in, .071 in]**

Wire Size: **.2 – .6 mm<sup>2</sup>**

## Features

### Product Type Features

Compatible With Discrete Wire Type

Solid, Stranded

### Configuration Features

Compatible With Wire & Cable Type

Discrete Wire

### Contact Features

Crimp Wire Pin, Tab & Ferrule Terminal Type

Receptacle

Barrel Type

Open

Terminal Plating Material

Tin

Terminal Orientation

Straight

### Mechanical Attachment

Wire Insulation Support

With

### Dimensions

Pin Diameter

1.39 mm[.055 in]

Accepts Wire Insulation Diameter Range

1.22 – 1.8 mm, 1.8 mm[.048 – .071 in][.071 in]

Wire Size

404 – 1021 CMA

Barrel Inside Diameter

1.39 mm, 2.54 mm[.055 in][.1 in]



Terminal Material Thickness	.32 mm[.013 in]
Overall Product Length	11.43 mm[.45 in]

### Usage Conditions

Insulation Option	Uninsulated
-------------------	-------------

### Operation/Application

Heavy Duty	No
------------	----

### Packaging Features

Packaging Quantity	20000
Packaging Method	Reel

### Other

Comment	Reverse Reel for 42429-2.
---------	---------------------------

## Product Compliance

[For compliance documentation, visit the product page on TE.com>](#)

EU RoHS Directive 2011/65/EU	Compliant
EU ELV Directive 2000/53/EC	Compliant
China RoHS 2 Directive MIIT Order No 32, 2016	No Restricted Materials Above Threshold
EU REACH Regulation (EC) No. 1907/2006	Current ECHA Candidate List: JUNE 2022 (224) Candidate List Declared Against: JAN 2022 (223) SVHC > Threshold: Not Yet Reviewed
Halogen Content	Low Halogen - Br, Cl, F, I < 900 ppm per homogenous material. Also BFR/CFR/PVC Free
Solder Process Capability	Not applicable for solder process capability

#### Product Compliance Disclaimer

This information is provided based on reasonable inquiry of our suppliers and represents our current actual knowledge based on the information they provided. This information is subject to change. The part numbers that TE has identified as EU RoHS compliant have a maximum concentration of 0.1% by weight in homogenous materials for lead, hexavalent chromium, mercury, PBB, PBDE, DBP, BBP, DEHP, DIBP, and 0.01% for cadmium, or qualify for an exemption to these limits as defined in the Annexes of Directive 2011/65/EU (RoHS2). Finished electrical and electronic equipment products will be CE marked as required by Directive 2011/65/EU. Components may not be CE marked. Additionally, the part numbers that TE has identified as EU ELV compliant have a maximum concentration of 0.1% by weight in homogenous materials for lead, hexavalent chromium, and mercury, and 0.01% for cadmium, or qualify for an exemption to these limits as defined in the Annexes of Directive 2000/53/EC (ELV). Regarding the REACH Regulation, the information TE provides on SVHC in articles for this part number is based on the latest European Chemicals Agency (ECHA) 'Guidance on requirements for substances in articles' posted at this URL: <https://echa.europa.eu/guidance-documents/guidance-on-reach>

## Compatible Parts



TE Part # 42428-5  
PIN TERMINAL RECEPTACLE 24-20 AWG TPPHBZ



TE Part # 42745-2  
PIN 090 FLAG RECEPTACLE 20-14 AWG TPPHBZ



TE Part # 42827-2  
PIN .093 RECEPTACLE 24-18 AWG TPBR



TE Part # 170073-2  
PIN WITH LANCE .093 REC 24-20 POST-TPBR



TE Part # 1742350-1  
PIN 2.08 DIA 22-18AWG TPBR



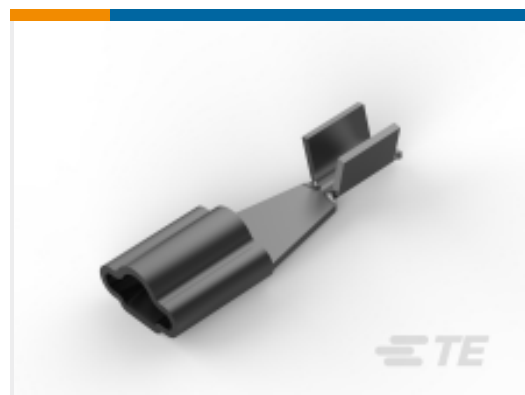
TE Part # 170073-5  
PIN WITH LANCE .093 REC 24-20 PRE-TPBR



TE Part # 62160-1  
PIN .040 RECEPTACLE 24-20 AWG TPPHBZ



TE Part # 60376-1  
PIN 090 RECEPTACLE 20-14 AWG TPPHBZ



TE Part # 60733-1  
PIN .090 RECEPTACLE TPPHBZ



TE Part # 62358-1  
PIN .080 (2.03 MM) 24-20 AWG TPBR



TE Part # 62402-1  
PIN .106 REC 22-18 AWG (OR) 22AWG PTPBR



TE Part # 42428-8  
040 PIN REC IS 24-20 SPPHBZ



TE Part # 42869-6  
.040 PIN REC 24-20 .0126TPPHBZ



TE Part # 60884-3  
PIN REC 22-18 AWG .0126 X .380 TPBR

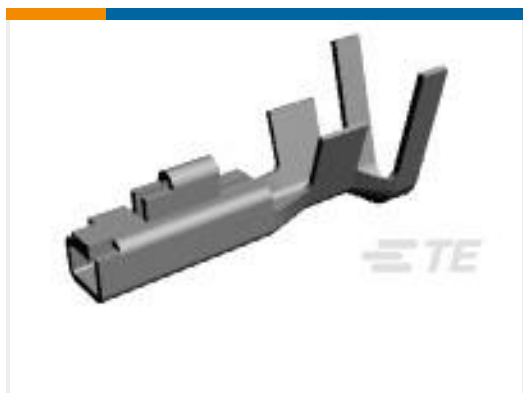
## Customers Also Bought



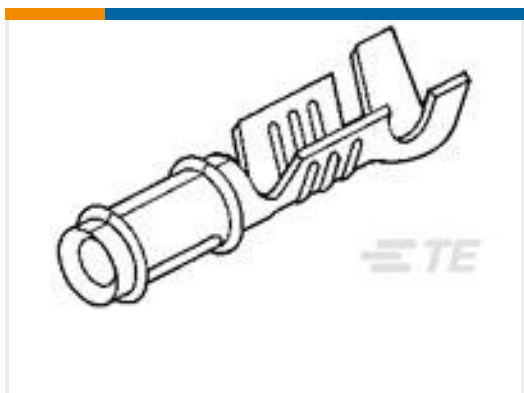
TE Part #1658540-1  
PIN CONT DUPL PLT STRIP HD-20



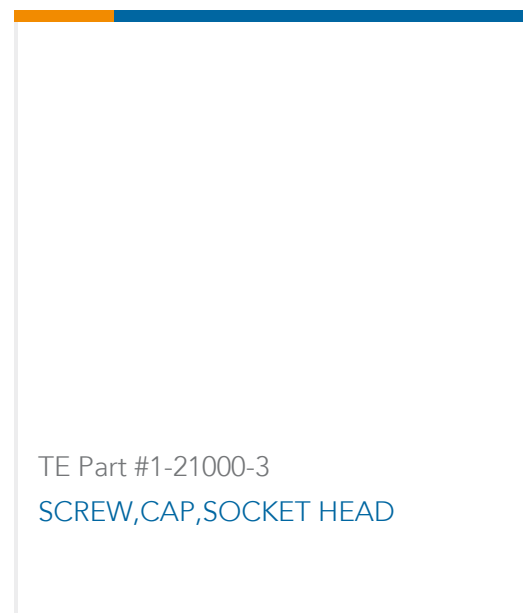
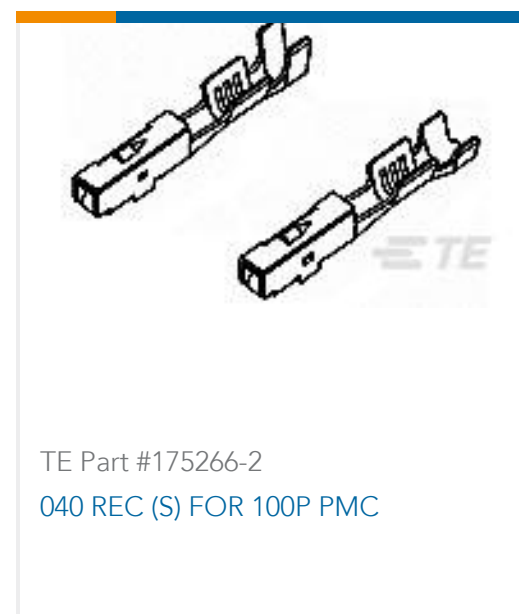
TE Part #176271-1  
AMP UNIVERSAL POWER PLUG 2P



TE Part #175152-2  
AMP UNIVE. POWER CONN REC CONT



TE Part #60888-2  
058 PIN REC 26-22 .010GPPHBZ



## Documents

### Product Drawings

[PIN .055 REC 24-20 AWG TPPHBZ](#)

English

### CAD Files

[3D PDF](#)

3D

Customer View Model

[ENG\\_CVM\\_CVM\\_60885-2\\_BT.2d\\_dxf.zip](#)

English

Customer View Model

[ENG\\_CVM\\_CVM\\_60885-2\\_BT.3d\\_igs.zip](#)

English

Customer View Model

[ENG\\_CVM\\_CVM\\_60885-2\\_BT.3d\\_stp.zip](#)

English

By downloading the CAD file I accept and agree to the [Terms and Conditions](#) of use.

### Product Specifications

[Application Specification](#)

English

[Pin Receptacle Contact With Closed Seam](#)

English

### Product Environmental Compliance

[TE Material Declaration](#)

English

60885-2

Crimp Wire Pins, Tabs & Ferrules, Receptacle, Pin Diameter 1.39 mm [.055 in], 24 – 20  
AWG Wire Size, .2 – .6 mm<sup>2</sup> Wire Size, 404 – 1021 CMA Wire Size

