

## AMP

TE Internal #: 638187-3

Automotive Terminals, Receptacle, 20 – 18 AWG Wire Size, .5 – .8 mm<sup>2</sup> Wire Size, Tin (Sn) Interface Plating, Terminates To Wire[View on TE.com >](#)

Terminals &amp; Splices &gt; Automotive Terminals

Terminal Type: **Receptacle**Terminal Transmits: **0 – 24 A (Low Power)**Wire Size: **.5 – .8 mm<sup>2</sup>**Sealable: **No****Features****Product Type Features**

Receptacle Style	180°
Sealable	No

**Contact Features**

Contact Size	1mm
Contact Fabrication	Stamped & Formed
Crimp Type	F-Crimp
Terminal Type	Receptacle
Interface Plating	Tin (Sn)

**Termination Features**

Termination Method to Wire & Cable	Crimp
Product Terminates To	Wire

**Dimensions**

Wire Size	.5 – .8 mm <sup>2</sup>
Wire Size Search	18 AWG, 19 AWG, 20 AWG
Wire Insulation Diameter	1.2 – 1.9 mm [.048 – .075 in]

**Usage Conditions**

Insulation Option	Uninsulated
-------------------	-------------

**Packaging Features**

Packaging Method	Reel
------------------	------



Packaging Quantity 6000

**Other**

Terminal Transmits 0 – 24 A (Low Power)

**Product Compliance**

[For compliance documentation, visit the product page on TE.com>](#)

EU RoHS Directive 2011/65/EU	Compliant
EU ELV Directive 2000/53/EC	Compliant
China RoHS 2 Directive MIIT Order No 32, 2016	No Restricted Materials Above Threshold
EU REACH Regulation (EC) No. 1907/2006	Current ECHA Candidate List: JUNE 2022 (224) Candidate List Declared Against: JUNE 2022 (224) Does not contain REACH SVHC
Halogen Content	Low Halogen - Br, Cl, F, I < 900 ppm per homogenous material. Also BFR/CFR/PVC Free
Solder Process Capability	Not reviewed for solder process capability

**Product Compliance Disclaimer**

This information is provided based on reasonable inquiry of our suppliers and represents our current actual knowledge based on the information they provided. This information is subject to change. The part numbers that TE has identified as EU RoHS compliant have a maximum concentration of 0.1% by weight in homogenous materials for lead, hexavalent chromium, mercury, PBB, PBDE, DBP, BBP, DEHP, DIBP, and 0.01% for cadmium, or qualify for an exemption to these limits as defined in the Annexes of Directive 2011/65/EU (RoHS2). Finished electrical and electronic equipment products will be CE marked as required by Directive 2011/65/EU. Components may not be CE marked. Additionally, the part numbers that TE has identified as EU ELV compliant have a maximum concentration of 0.1% by weight in homogenous materials for lead, hexavalent chromium, and mercury, and 0.01% for cadmium, or qualify for an exemption to these limits as defined in the Annexes of Directive 2000/53/EC (ELV). Regarding the REACH Regulation, the information TE provides on SVHC in articles for this part number is based on the latest European Chemicals Agency (ECHA) 'Guidance on requirements for substances in articles' posted at this URL: <https://echa.europa.eu/guidance-documents/guidance-on-reach>

**Compatible Parts**



TE Part # 2305570-1  
TERMINAL CUTTER, SIDE FEED



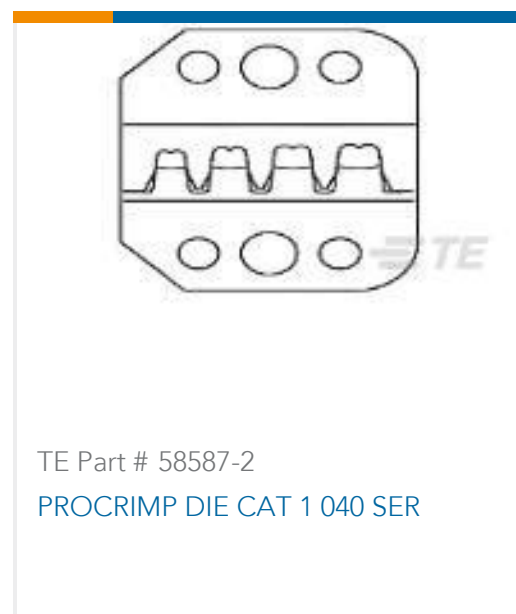
TE Part # 2-2266510-1  
OC-PA-S-FM-066F080F-001-0097



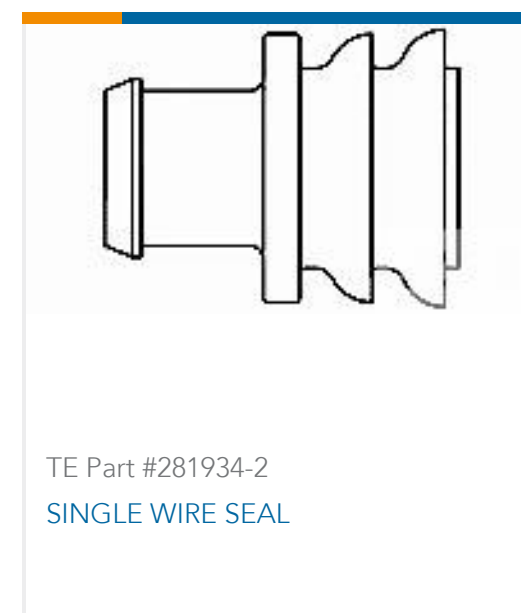
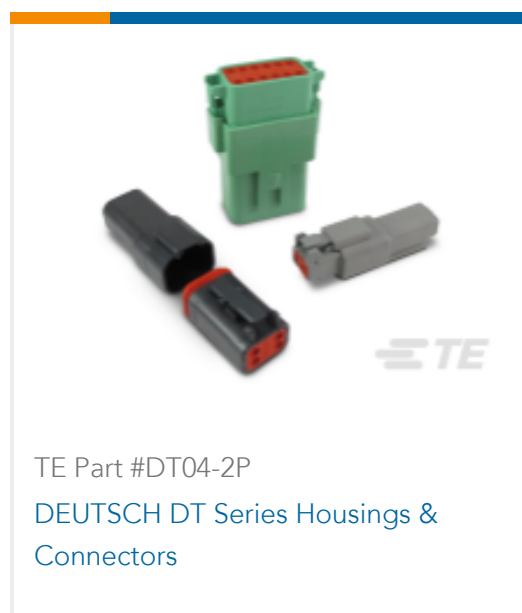
TE Part # 2-2266510-2  
OC-PA-S-FA-066F080F-001-0097



TE Part # 2266510-1  
OC-AT-S-FM-066F080F-001-0097



## Customers Also Bought



## Documents

### Product Drawings

[RE-REELED RECPT CONT. 18-20AWG](#)

English

### CAD Files

Customer View Model

[ENG\\_CVM\\_638187-3\\_C.3d\\_igs.zip](#)

English

Customer View Model

[ENG\\_CVM\\_638187-3\\_C.3d\\_stp.zip](#)

English

Customer View Model

[ENG\\_CVM\\_638187-3\\_C.2d\\_dxf.zip](#)

English

### 3D PDF

English

By downloading the CAD file I accept and agree to the [Terms and Conditions](#) of use.

638187-3

Automotive Terminals, Receptacle, 20 – 18 AWG Wire Size, .5 – .8 mm<sup>2</sup> Wire Size, Tin (Sn) Interface Plating, Terminates To Wire



[Product Specifications](#)

[Application Specification](#)

English