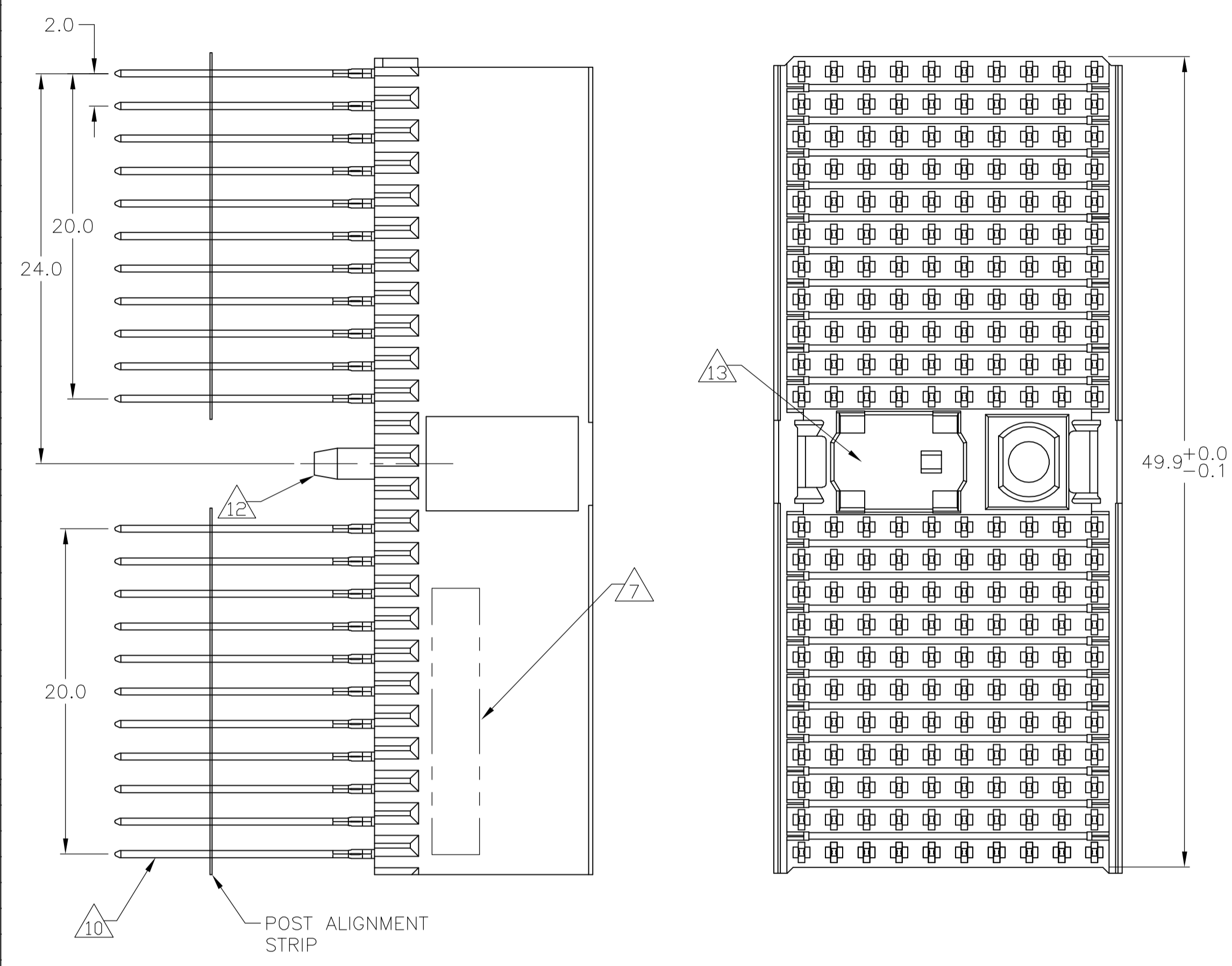
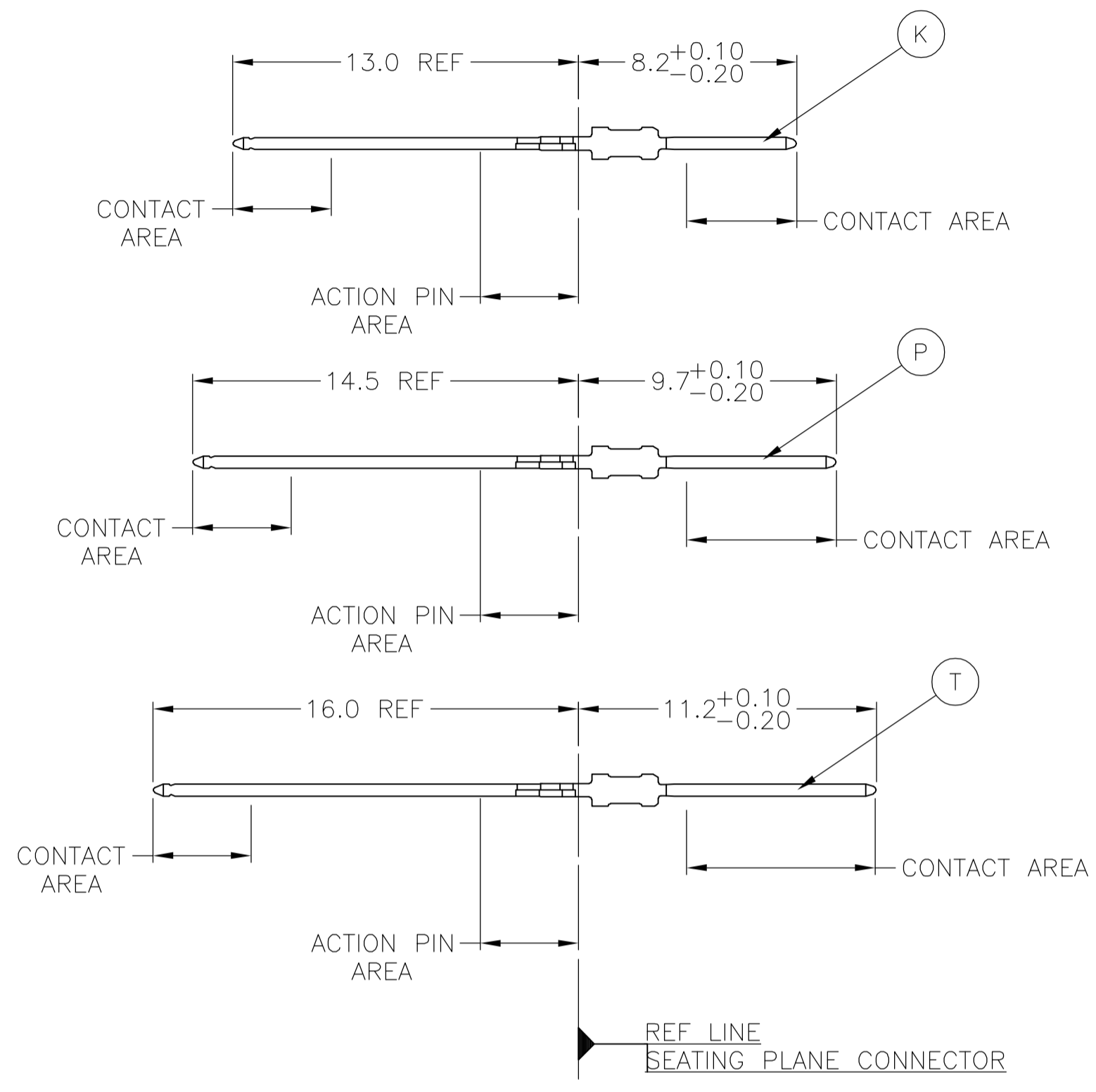


CONNECTOR ASSEMBLY EXAMPLARY LOADED 9

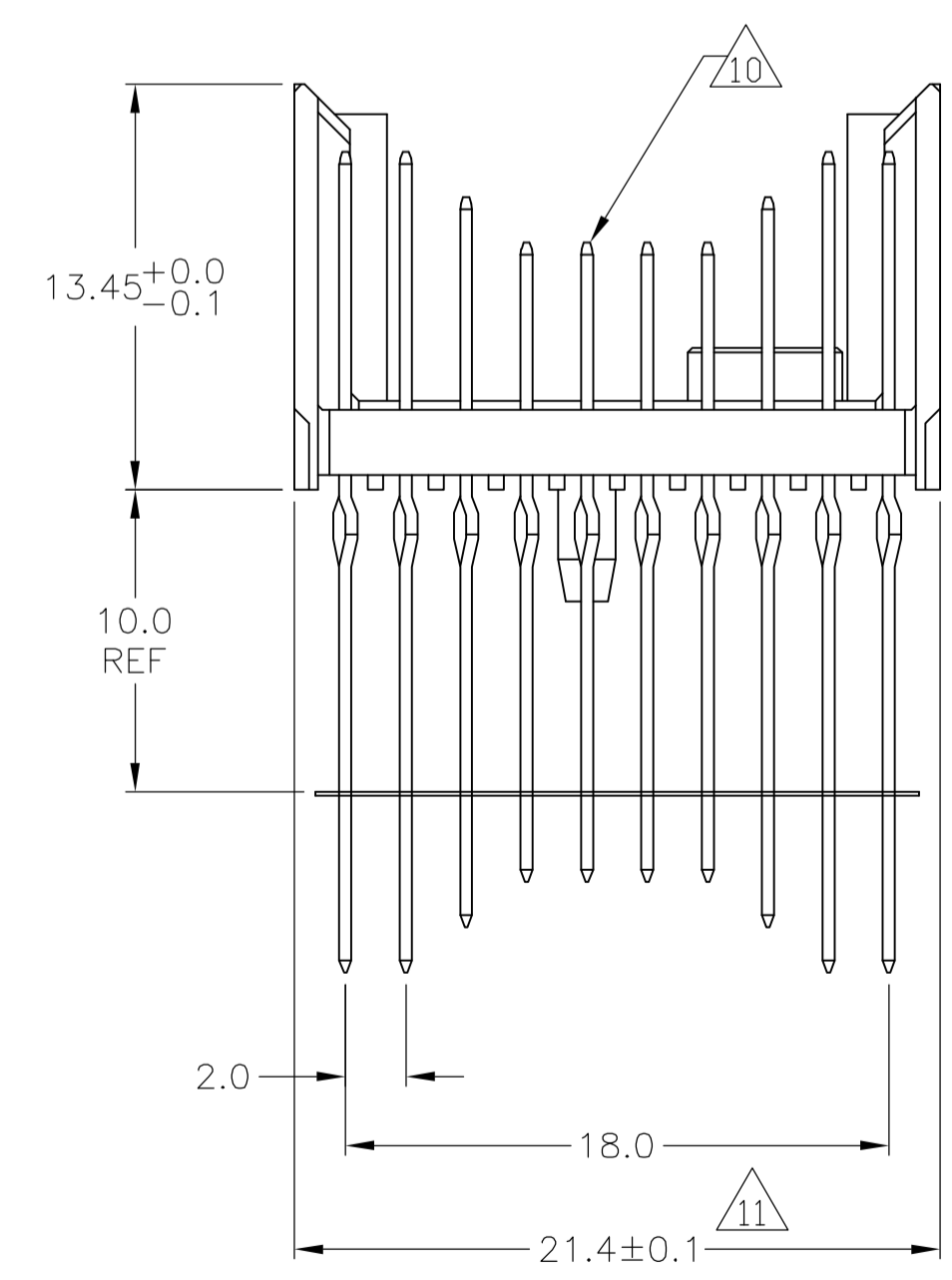


CONTACT DIMENSIONS SCALE 5:1

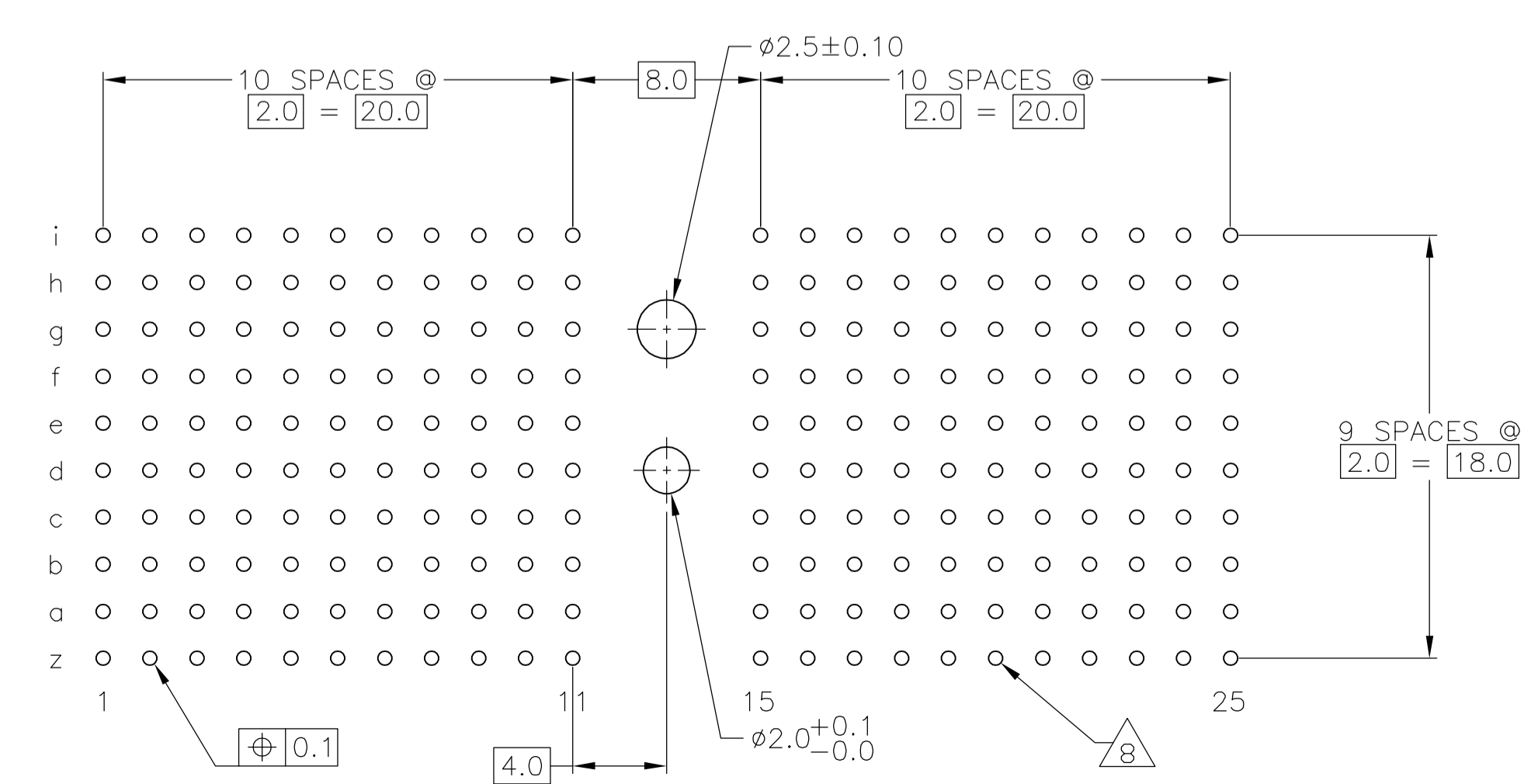


CONTACT LAYOUT

| | | | | | | | | | | |
|----------------------|---|---|---|---|---|---|---|---|---|---|
| | z | a | b | c | d | e | f | g | h | i |
| 1 | T | T | P | K | K | K | K | P | T | T |
| 2 | T | T | P | K | K | K | K | P | T | T |
| 3 | T | T | P | K | K | K | K | P | T | T |
| 4 | T | T | P | K | K | K | K | P | T | T |
| 5 | T | T | P | K | K | K | K | P | T | T |
| 6 | T | T | P | K | K | K | K | P | T | T |
| 7 | T | T | P | K | K | K | K | P | T | T |
| 8 | T | T | P | K | K | K | K | P | T | T |
| 9 | T | T | P | K | K | K | K | P | T | T |
| 10 | T | T | P | K | K | K | K | P | T | T |
| 11 | T | T | P | K | K | K | K | P | T | T |
| MULTI PURPOSE CENTER | | | | | | | | | | |
| 15 | T | T | P | K | K | K | K | P | T | T |
| 16 | T | T | P | K | K | K | K | P | T | T |
| 17 | T | T | P | K | K | K | K | P | T | T |
| 18 | T | T | P | K | K | K | K | P | T | T |
| 19 | T | T | P | K | K | K | K | P | T | T |
| 20 | T | T | P | K | K | K | K | P | T | T |
| 21 | T | T | P | K | K | K | K | P | T | T |
| 22 | T | T | P | K | K | K | K | P | T | T |
| 23 | T | T | P | K | K | K | K | P | T | T |
| 24 | T | T | P | K | K | K | K | P | T | T |
| 25 | T | T | P | K | K | K | K | P | T | T |



RECOMMENDED PCB-HOLE LAYOUT COMPONENT SIDE SHOWN



PLATED THRU HOLES PARAMETERS REFERENCE APPLICATION SPECIFICATION

| | |
|--------|-------------|
| 2 6 14 | 1-646375-9 |
| 2 5 14 | 646375-9 |
| 2 4 14 | 646375-4 |
| 2 3 14 | 646375-1 |
| FINISH | PART NUMBER |

THIS DRAWING IS A CONTROLLED DOCUMENT.

| | | | | | | | | | | | |
|----------------|--|-------------------------|--------------------------|------------------|------------------------|-----------------------------|---------------|----------|------------------|--------------------|------------------|
| DIMENSIONS: mm | TOLERANCES UNLESS OTHERWISE SPECIFIED: | DWN: S. WAITMAN 20JUL05 | APVD: G. SKIPPER 20JUL05 | NAME: G. SKIPPER | PRODUCT SPEC: 108-1622 | APPLICATION SPEC: 114-19029 | WEIGHT: - | SIZE: A1 | CAGE CODE: 00779 | DRAWING NO: 646375 | RESTRICTED TO: - |
| MATERIAL: 1 | | SEE TABLE | | CUSTOMER DRAWING | | SCALE: 4:1 | SHEET: 1 OF 2 | REV: E | | | |

tyco Electronics Tyco Electronics Corporation Harrisburg, Pa 17105-3608

MALE ASSEMBLY, Z-PACK 2mm HM, TYPE D

| LOC | | DIST | | REVISIONS | | | |
|-----|-----|-------------|------|-----------|------|--|--|
| P | LTR | DESCRIPTION | DATE | DN | APVD | | |
| AD | 00 | SEE SHEET 1 | | | | | |

- 1 MATERIAL:
CONTACT: PHOSPHOR BRONZE.
HOUSING: GLASS-FILLED POLYESTER.
- 2 GENERAL PLATING SPECIFICATION: UNDERPLATING
(ENTIRE CONTACT): 1.27µm MIN NICKEL AND ACTION
PIN: 0.5µm MIN TIN\LEAD.
FOR PLATING OF MATING SURFACES SEE APPLICABLE
SPECIFICATION REFERENCE FOR EACH DASH NUMBER.
- 3 CONFORMS TO ALL TESTING ACCORDING TO IEC 61076-4-101
PERFORMANCE LEVEL 2.
- 4 CONFORMS TO ALL TESTING ACCORDING TO IEC 61076-4-101
PERFORMANCE LEVEL 1.
- 5 CONNECTOR TESTED AND QUALIFIED AGAINST TELCORDIA GR-1217-CORE QUALITY LEVEL 3,
CENTRAL OFFICE APPLICATIONS.
- 6 CONNECTOR TESTED AND QUALIFIED AGAINST TELCORDIA GR-1217-CORE QUALITY LEVEL 3,
UNCONTROLLED ENVIROMENT APPLICATIONS.
- 7 CONNECTOR MARKED WITH PART NUMBER AND DATE CODE.
ADDITIONAL CHARACTERS OR MARKINGS, AS WELL AS THE LOCATION OF THE MARKINGS,
MAY BE ADDED FOR TRACEABILITY BASED UPON MANUFACTURERS DISCRETION.
- 8 PLATED-THROUGH HOLES AT 2x2mm SQUARE GRID
PATTERN DEFINED BY CONTACT LAYOUT.
- 9 FOR ACTUAL PIN LOADING SEE "CONTACT LAYOUT".
- 10 FOR ACTUAL PIN DIMENSIONS SEE "CONTACT DIMENSIONS".
- 11 TO BE MEASURED AT BOTTOM OF SHROUD.
- 12 POLARIZATION FEATURE.
- 13 AREA RESERVED FOR KEYING PART (BASIC P/N 100525).
- 14 CONNECTOR LUBRICATED WITH BELCORE APPROVED LUBRICANT,
TECHNICAL REFERENCE: TR-NWT-001217 ISSUE 1, SEP 1992.

| | | | | |
|--|--|-------------------------------|---|----------------------|
| THIS DRAWING IS A CONTROLLED DOCUMENT. | | DIN S. WAITMAN 20JUL05 | Tyco Electronics Corporation Harrisburg, Pa 17105-3608 | |
| DIMENSIONS: mm | | CHK G. SKIPPER 20JUL05 | NAME MALE ASSEMBLY, Z-PACK 2mm HM, TYPE D | |
| TOLERANCES UNLESS OTHERWISE SPECIFIED: 0 PLC ± - 1 PLC ± 0.1 2 PLC ± - 3 PLC ± - 4 PLC ± - ANGLES ± 1° | | APVD G. SKIPPER 20JUL05 | PRODUCT SPEC 108-1622 | |
| MATERIAL SEE SHEET 1 | | FINISH SEE SHEET 1 | APPLICATION SPEC 114-19029 | RESTRICTED TO - |
| WEIGHT - | | SIZE A1 | CAGE CODE 00779 | DRAWING NO 646375 |
| CUSTOMER DRAWING | | SCALE 4:1 | SHEET 2 | OF 2 REV E |