

55824-1 ✓ ACTIVE

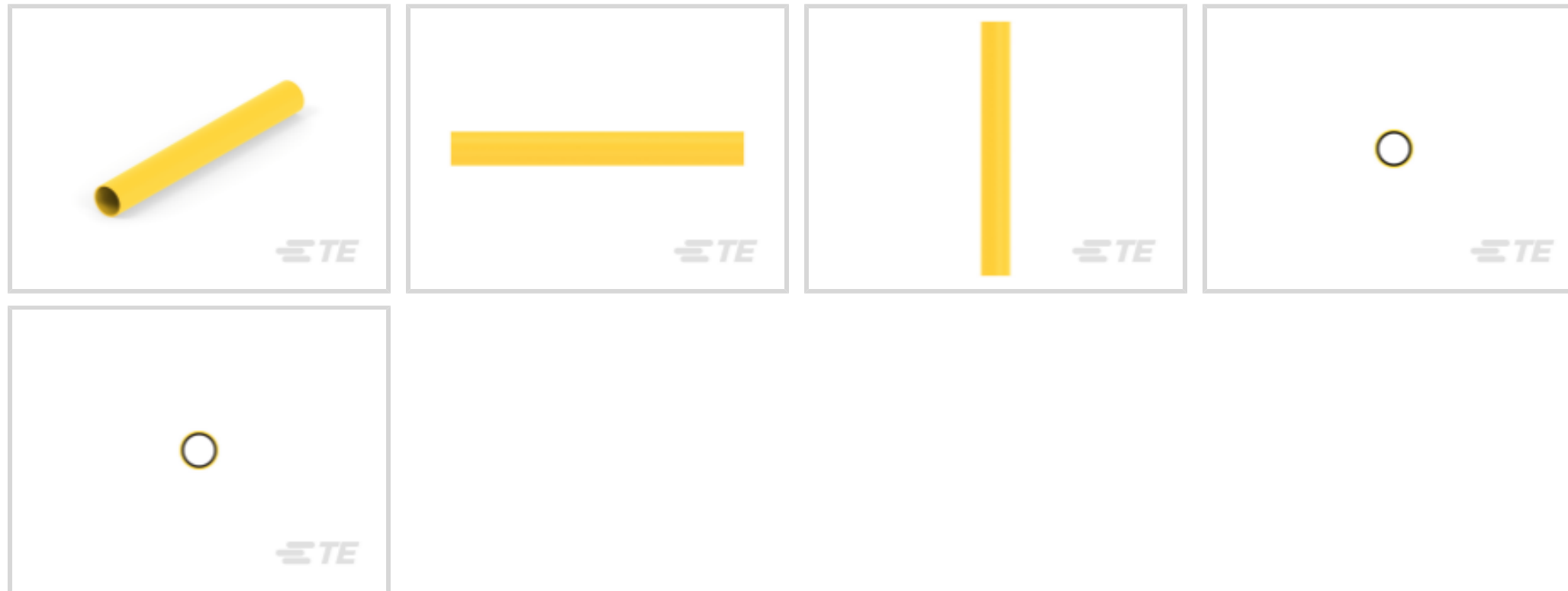
TE Internal #: 55824-1

Splices, 22 – 18 AWG Wire Size, .3 – .9 mm² Wire Size, Sealable, .17 in [4.32 mm] Barrel Inside Diameter, 509 – 1900 CMA Wire Size, Copper, Red

[View on TE.com >](#)



Terminals & Splices > Splices



Wire Size: .3 – .9 mm²

Sealable: **Yes**

Accepts Wire Insulation Diameter Range: 4.32 mm [.17 in]

Barrel Inside Diameter: 4.32 mm [.17 in]

Features

Product Type Features

Sealable	Yes
Splice Type	Butt Splice
Serrated	No
Compatible With Discrete Wire Type	Stranded
Wire Insulation Support Retention Type	Insulation Support

Configuration Features

Compatible With Wire & Cable Type	Discrete Wire
-----------------------------------	---------------

Body Features

Insulation Sleeve Material	Polyolefin
Weight per Piece	1.016 g
Plating Material	Tin, Unplated
Primary Product Material	Copper
Primary Product Color	Red

Contact Features

Contact Plating Material	Tin
--------------------------	-----



Barrel Type	Closed
-------------	--------

Mechanical Attachment

Wire Insulation Support	With
-------------------------	------

Dimensions

Wire Size	509 – 1900 CMA
-----------	----------------

Accepts Wire Insulation Diameter Range	4.32 mm[.17 in]
--	-----------------

Barrel Inside Diameter	4.32 mm[.17 in]
------------------------	-----------------

Overall Product Length	40.79 mm[1.606 in]
------------------------	--------------------

Usage Conditions

Insulation Option	Fully Insulated
-------------------	-----------------

Operating Temperature Range	-55 – 125 °C[-67 – 257 °F]
-----------------------------	----------------------------

Operation/Application

Heavy Duty	No
------------	----

Industry Standards

Government Qualified Splice	No
-----------------------------	----

Packaging Features

Packaging Quantity	1000
--------------------	------

Packaging Method	Loose Piece
------------------	-------------

Other

Military Category	No
-------------------	----

Product Compliance

[For compliance documentation, visit the product page on TE.com>](#)

EU RoHS Directive 2011/65/EU	Compliant
------------------------------	-----------

EU ELV Directive 2000/53/EC	Compliant
-----------------------------	-----------

China RoHS 2 Directive MIIT Order No 32, 2016	No Restricted Materials Above Threshold
---	---

EU REACH Regulation (EC) No. 1907/2006	Current ECHA Candidate List: JUNE 2022 (224) Candidate List Declared Against: JUL 2021 (219) SVHC > Threshold: Not Yet Reviewed
--	--

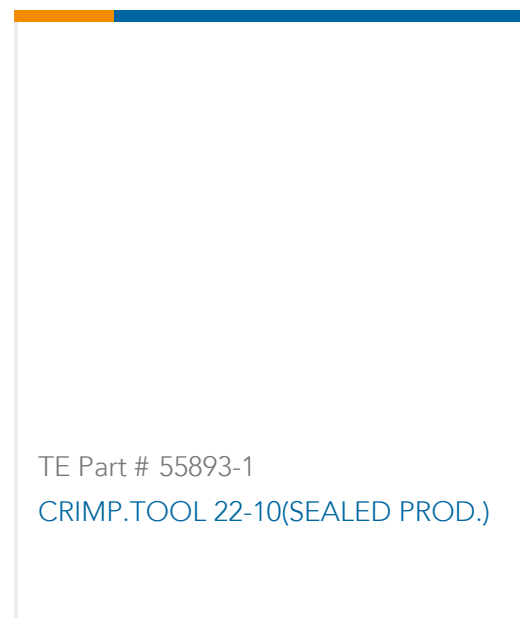
Halogen Content	Not Yet Reviewed for halogen content
-----------------	--------------------------------------

Solder Process Capability	Not applicable for solder process capability
---------------------------	--

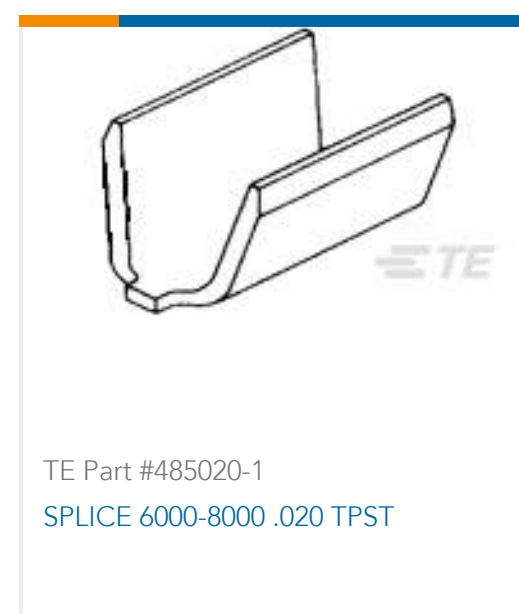
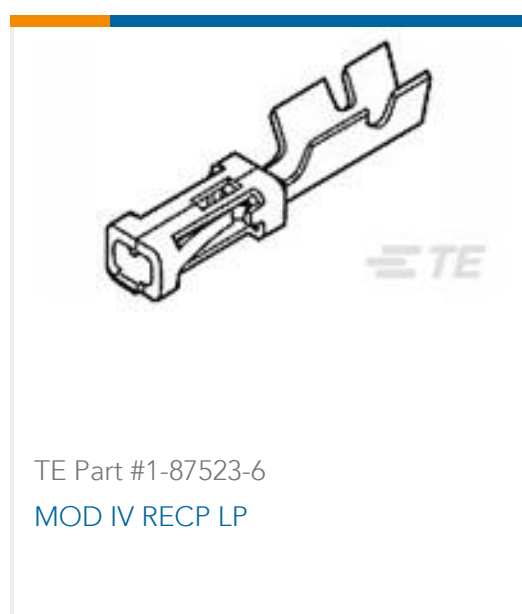
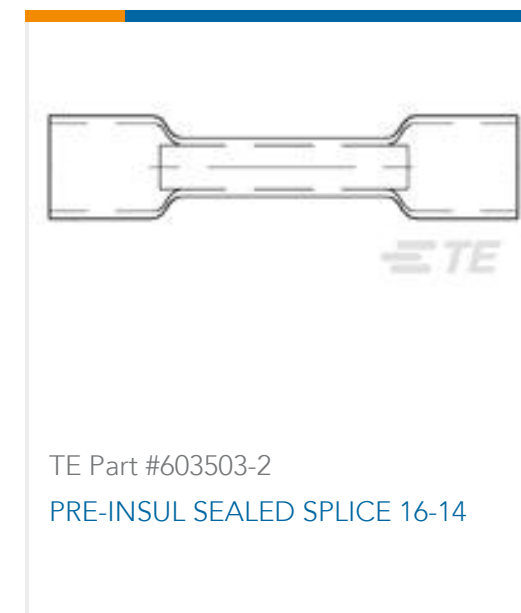
Product Compliance Disclaimer

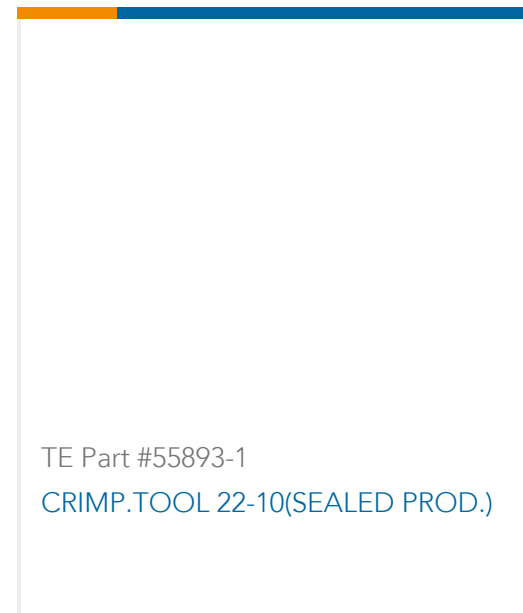
This information is provided based on reasonable inquiry of our suppliers and represents our current actual knowledge based on the information they provided. This information is subject to change. The part numbers that TE has identified as EU RoHS compliant have a maximum concentration of 0.1% by weight in homogenous materials for lead, hexavalent chromium, mercury, PBB, PBDE, DBP, BBP, DEHP, DIBP, and 0.01% for cadmium, or qualify for an exemption to these limits as defined in the Annexes of Directive 2011/65/EU (RoHS2). Finished electrical and electronic equipment products will be CE marked as required by Directive 2011/65/EU. Components may not be CE marked. Additionally, the part numbers that TE has identified as EU ELV compliant have a maximum concentration of 0.1% by weight in homogenous materials for lead, hexavalent chromium, and mercury, and 0.01% for cadmium, or qualify for an exemption to these limits as defined in the Annexes of Directive 2000/53/EC (ELV). Regarding the REACH Regulation, the information TE provides on SVHC in articles for this part number is based on the latest European Chemicals Agency (ECHA) 'Guidance on requirements for substances in articles' posted at this URL: <https://echa.europa.eu/guidance-documents/guidance-on-reach>

Compatible Parts



Customers Also Bought





Documents

Product Drawings

22-18 PRE-INSUL SEALED SPLICE

English

CAD Files

Customer View Model

[ENG_CVM_CVM_55824-1_G.2d_dxf.zip](#)

English

3D PDF

3D

Customer View Model

[ENG_CVM_CVM_55824-1_G.3d_igs.zip](#)

English

Customer View Model

[ENG_CVM_CVM_55824-1_G.3d_stp.zip](#)

English

By downloading the CAD file I accept and agree to the [Terms and Conditions](#) of use.

Instruction Sheets

Instruction Sheet (U.S.)

English