

Component-to-wire connectors **FCI**

DCS-1

2 way sealed female housings for 2.8 mm terminals

Features

- 5 mm pitch
- Flat interface seal
- Waterproof application with single wire seal
- Additional terminal locking device pre-assembled on front part of the housing
- Metal locking feature
- Mechanical polarization
- Several codes available
- Several colours available



Performance characteristics

- Temperature range: from -40°C to +120°C
- Contact retention force: > 80 N
- Contact insertion force: < 20 N for DCS-1 standard version < 15 N for DCS-1 box version
- Connector mating force: < 75 N
- Sealing protection: IP 67
- Acceptable wire range: from 0.35 to 1.5 mm²

Construction

- Housing material: PBT
- Flat interface seal: Silicone

Tooling

- Front device removal tool: Consult us
- Terminal removal tool: Consult us

Connector compatibility

- Usable terminals:
 - DCS-1 2.8 mm female terminals (standard version)
 - DCS-1 2.8 mm female terminals (box version)
 - DCS-1 2.8 mm female terminals (power version)

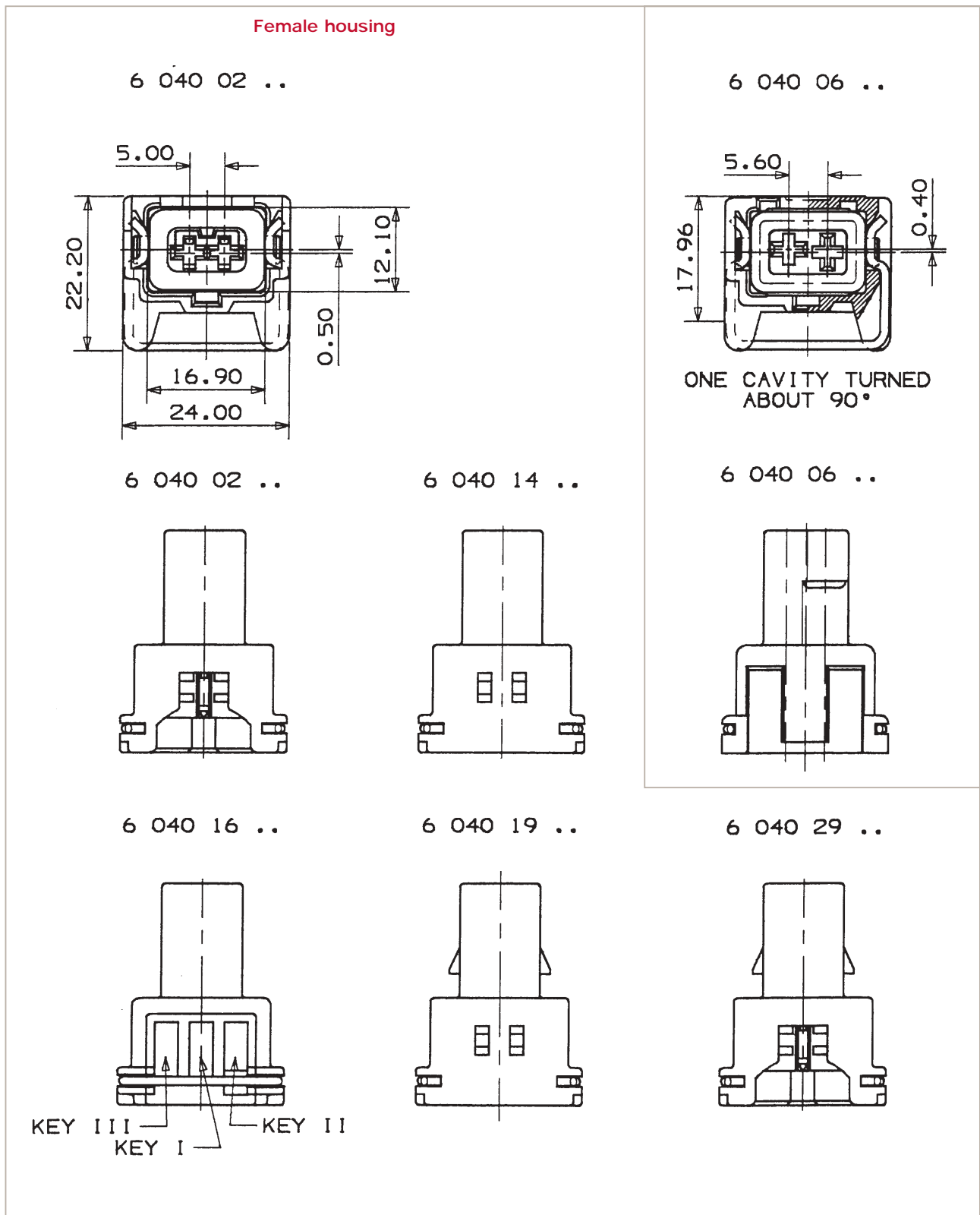
Part Numbers	No. of position	Terminal size	Waterproof	Type	Code	Colour
6 020 04 01	2	2.8 mm Standard/Power	No	Fuel injection type	No	Black
6 040 02 01	2	2.8 mm Standard/Power	Yes	Fuel injection type	No	Black
6 040 29 11	2	2.8 mm Standard/Power	Yes	Fuel injection type	No	Black
6 020 07 01	2	2.8 mm Standard/Power	No	90° version	No	Black
6 040 06 01	2	2.8 mm Standard/Power	Yes	90° version	No	Black
6 040 16 01	2	2.8 mm Standard/Power	Yes	Standard version	Possible	Black
6 040 14 09	2	2.8 mm Standard/Power	Yes	Standard version	No	Violet
6 040 19 01	2	2.8 mm Standard/Power	Yes	Standard version	No	Black
6 020 26 01	2	2.8 mm Box	No	Fuel injection type	No	Black
6 040 37 01	2	2.8 mm Box	Yes	Fuel injection type	No	Black
6 040 49 01	2	2.8 mm Box	Yes	Fuel injection type	No	Black
6 020 28 01	2	2.8 mm Box	No	90° version	No	Black
6 040 39 01	2	2.8 mm Box	Yes	90° version	No	Black
6 040 47 01	2	2.8 mm Box	Yes	Standard version	Possible	Black
6 040 48 01	2	2.8 mm Box	Yes	Standard version	No	Black

Component-to-wire connectors **FCI**

DCS-1

2 way sealed female housings for 2.8 mm terminals

Dimensional characteristics



Direct Links ...

- Cross Reference
- RoHS/LF P/N search
- Document & Drawing search
- Application tooling

Services ...

- Contact us
- Distributor list
- Pricing request
- Order samples

Literature ...

- Brochures & catalogs
- Product documentation
- Technical library

Start > Search=60404701* > **60404701**

60404701



60404701

2 way component-to-wire Female housing

ACTIVE

[Customer Drawing](#)

Automotive division

[Assistant](#) [Add to Favorites](#)

[Email Datasheet](#) [Print Datasheet](#)

FCI Brings You More

- [Contact our sales/technical support](#)
- [Sample request](#)
- [Price request](#)

Specifications

General Mechanical Physical Terminal 1 Type Environmental Other Features

General

Application	Component to Wire
Ways	2
Coding version	Black
Product Type	Housing
Coding	Yes
Family	Engine Compartment Connectors
	Mechanical Polarization Sealing Protection IP 67

Features	Metal Locking Feature Flat Interface Seal Additional Terminal Locking Device Pre - Assembled on Front Part of the Housing Waterproof Application with Single Wire Seal Acceptable Wire Size Range from 0.35 to 1.5 mm ²
Hybrid	No
Main Terminal family	DCS-1
Main Terminal size	2.8 mm
Sealed	Yes
Terminal Size	2.8
Version	Standard Version - Code Possible
Mechanical	
Connector mating force	< 75N
Physical	
Color	Black
Material	PBT
Temperature (Range)	-40°C to+120°C
Terminal 1 Type	
Terminal type 1	DCS-1 Box Female 2.8 mm Terminal
Ways for Terminal Type 1	2
Contact insertion force for Terminal Type 1	< 15N
Contact Pitch for Terminal Type 1	5 mm
Retention force (Contact) for Terminal Type 1	> 80N
Environmental	
IMDS	Yes
Other Features	
Type	Female
Disclaimer	For more information, please contact your local sales office. Displayed data is for information purposes only. The supply of some products might be limited to some customers.