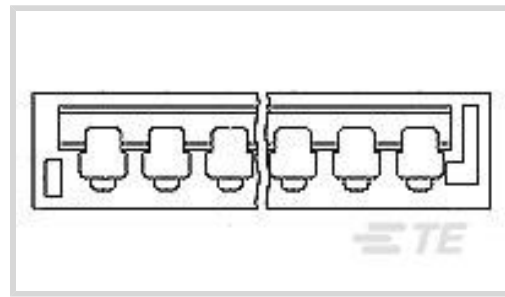




Connectors > PCB Connectors > Board-to-Board Connectors > Board-to-Board Connector Housings



Connector & Housing Type: **Receptacle**

Connector System: **Wire-to-Board**

Number of Positions: **2**

Centerline (Pitch): **3.96 mm [ .156 in ]**

Number of Rows: **1**

## Features

### Product Type Features

Connector & Housing Type	Receptacle
Connector System	Wire-to-Board
Connector & Contact Terminates To	Printed Circuit Board

### Configuration Features

Number of Positions	2
Number of Rows	1

### Contact Features

Contact Type	Socket
Contact Current Rating (Max)	6 A

### Mechanical Attachment

Mating Alignment Type	Polarization
Mating Alignment	With
Connector Mounting Type	Board Mount

### Housing Features

Centerline (Pitch)	3.96 mm [.156 in]
--------------------	-------------------

### Usage Conditions

Operating Temperature Range	-55 – 105 °C [-67 – 221 °F]
-----------------------------	-----------------------------

### Operation/Application

Circuit Application

Signal

### Industry Standards

UL Flammability Rating

UL 94V-0

### Product Compliance

For compliance documentation, visit the product page on TE.com>

EU RoHS Directive 2011/65/EU

Compliant

EU ELV Directive 2000/53/EC

Compliant

China RoHS 2 Directive MIIT Order No 32, 2016

No Restricted Materials Above Threshold

EU REACH Regulation (EC) No. 1907/2006

Current ECHA Candidate List: JUNE 2022 (224)  
 Candidate List Declared Against: JAN 2022 (223)  
 SVHC > Threshold:  
 Not Yet Reviewed

Halogen Content

Not Low Halogen - contains Br or Cl > 900 ppm.

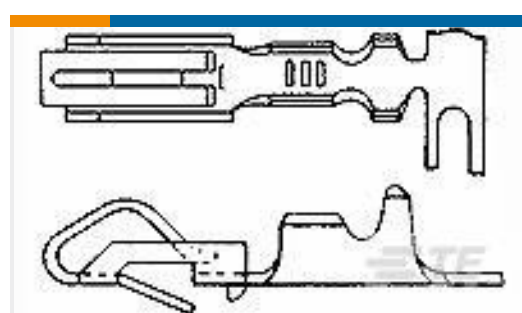
Solder Process Capability

Not applicable for solder process capability

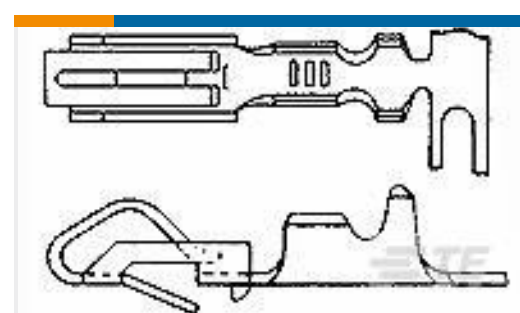
#### Product Compliance Disclaimer

This information is provided based on reasonable inquiry of our suppliers and represents our current actual knowledge based on the information they provided. This information is subject to change. The part numbers that TE has identified as EU RoHS compliant have a maximum concentration of 0.1% by weight in homogenous materials for lead, hexavalent chromium, mercury, PBB, PBDE, DBP, BBP, DEHP, DIBP, and 0.01% for cadmium, or qualify for an exemption to these limits as defined in the Annexes of Directive 2011/65/EU (RoHS2). Finished electrical and electronic equipment products will be CE marked as required by Directive 2011/65/EU. Components may not be CE marked. Additionally, the part numbers that TE has identified as EU ELV compliant have a maximum concentration of 0.1% by weight in homogenous materials for lead, hexavalent chromium, and mercury, and 0.01% for cadmium, or qualify for an exemption to these limits as defined in the Annexes of Directive 2000/53/EC (ELV). Regarding the REACH Regulation, the information TE provides on SVHC in articles for this part number is based on the latest European Chemicals Agency (ECHA) 'Guidance on requirements for substances in articles' posted at this URL: <https://echa.europa.eu/guidance-documents/guidance-on-reach>

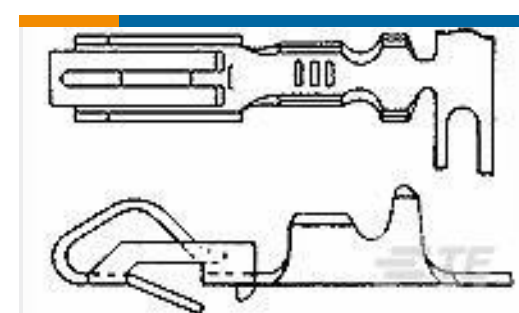
### Compatible Parts



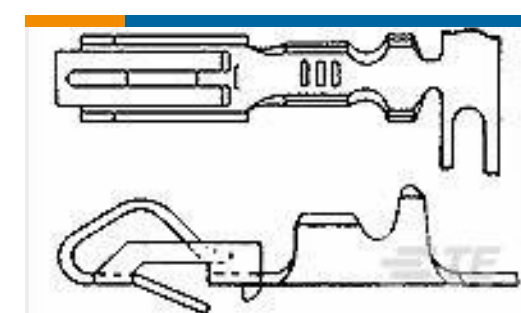
TE Part # 3-61668-1  
BIF-LEAF CONT CR/SNAP SN/BR



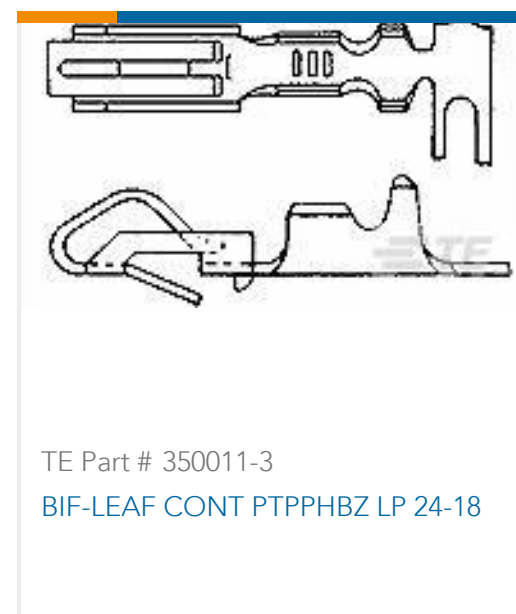
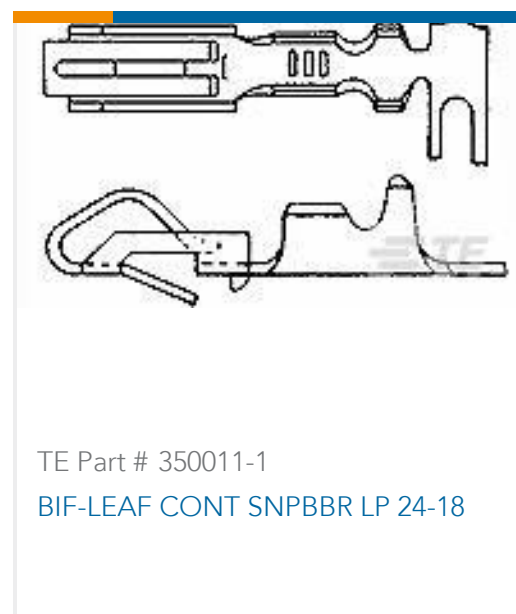
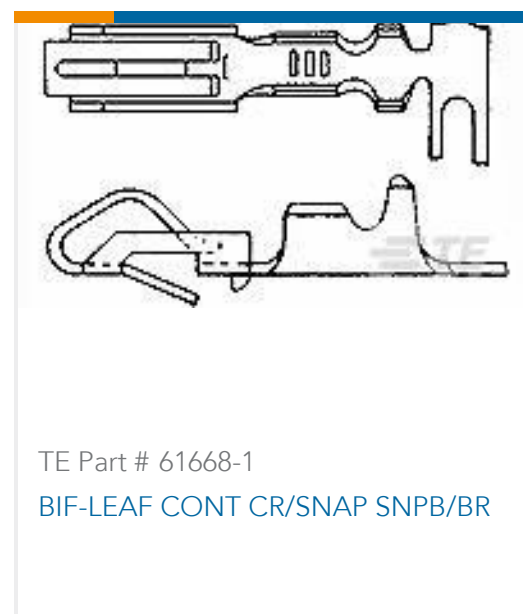
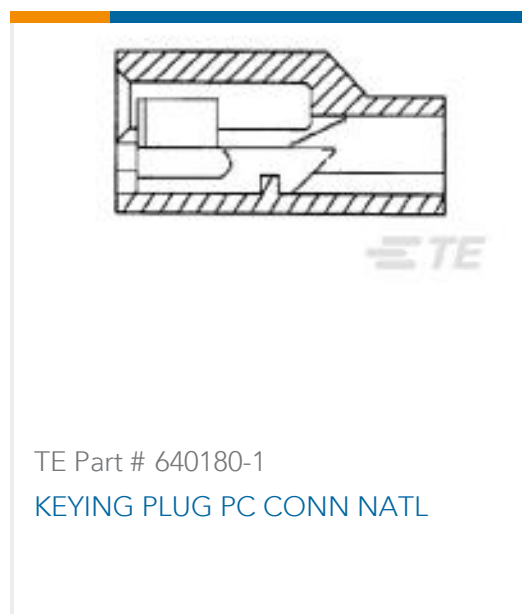
TE Part # 350011-2  
BIF-LEAF CONT AUPHBZ LP 24-18



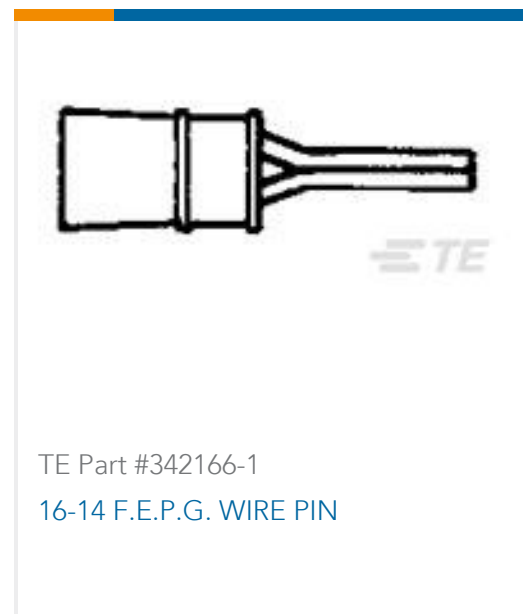
TE Part # 61668-2  
BIF-LEAF CONT CR/SNAP PTPPHBZ



TE Part # 61668-4  
BIF-LEAF CONT CR/SNAP AUPHBZ



## Customers Also Bought



## Documents

### Product Drawings

02P EDGE CONN HSG, BIF-LEAF

English

### CAD Files

3D PDF

English

Customer View Model

ENG\_CVM\_640136-2\_U.3d\_stp.zip



English

**Customer View Model**

[ENG\\_CVM\\_640136-2\\_U.2d\\_dxf.zip](#)

English

**Customer View Model**

[ENG\\_CVM\\_640136-2\\_U.3d\\_igs.zip](#)

English

By downloading the CAD file I accept and agree to the [Terms and Conditions](#) of use.

---

**Product Specifications**

**Bifurcated Leaf Contact**

English

**Application Specification**

English

---

**Instruction Sheets**

**BIFURCATED LEAF CONTACT CONNECTORS**

English

**Instruction Sheet (U.S.)**

English

---

**Agency Approvals**

**Agency Approval Document**

English