

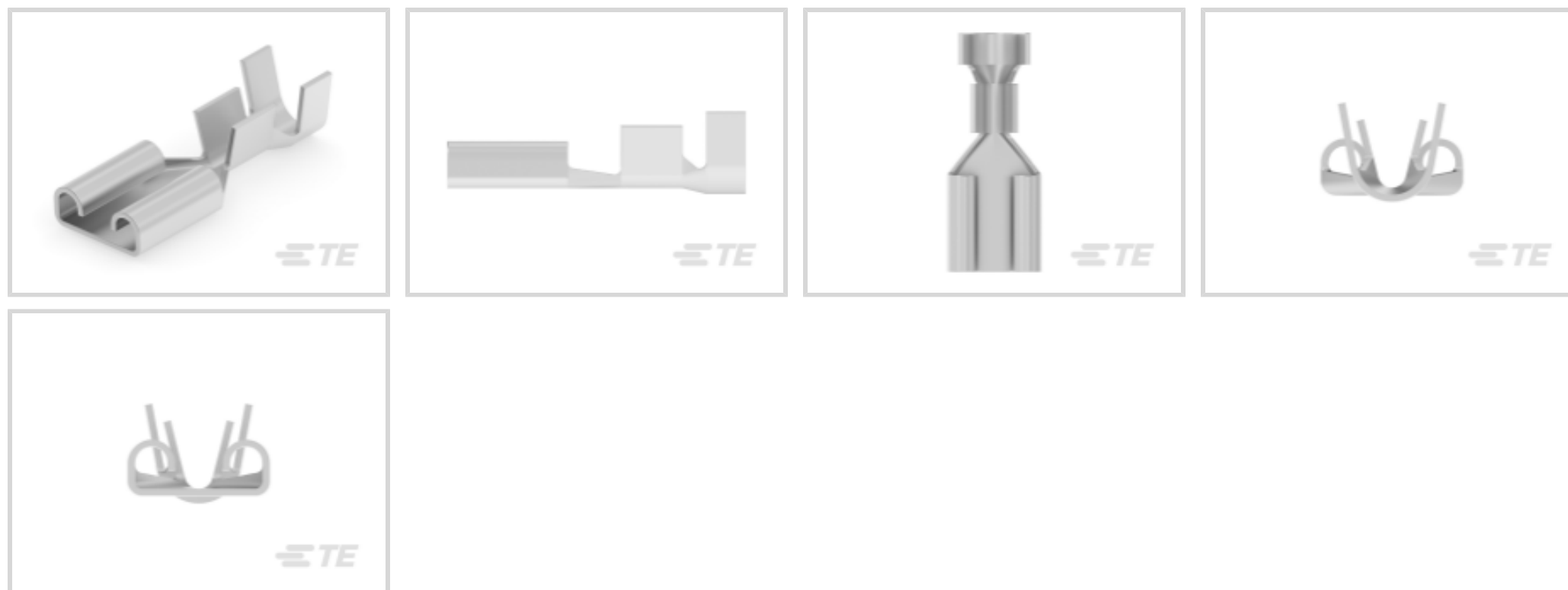
60650-2 ✓ ACTIVE

FASTON 250

TE Internal #: 60650-2

TE Internal Description: 250 FASTON FLAG REC 18-14 AWG TPBR

[View on TE.com >](#)



### Product Compliance

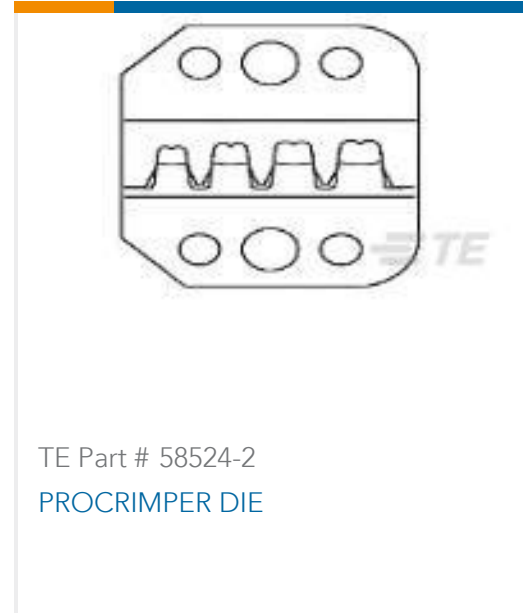
[For compliance documentation, visit the product page on TE.com>](#)

EU RoHS Directive 2011/65/EU	Compliant
EU ELV Directive 2000/53/EC	Compliant
China RoHS 2 Directive MIIT Order No 32, 2016	No Restricted Materials Above Threshold
EU REACH Regulation (EC) No. 1907/2006	Current ECHA Candidate List: JUNE 2022 (224) Candidate List Declared Against: JAN 2022 (223) SVHC > Threshold: Not Yet Reviewed
Halogen Content	Low Halogen - Br, Cl, F, I < 900 ppm per homogenous material. Also BFR/CFR/PVC Free
Solder Process Capability	Not applicable for solder process capability

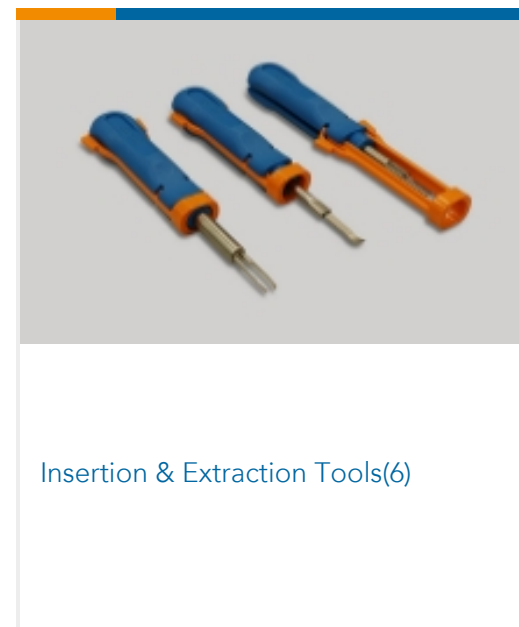
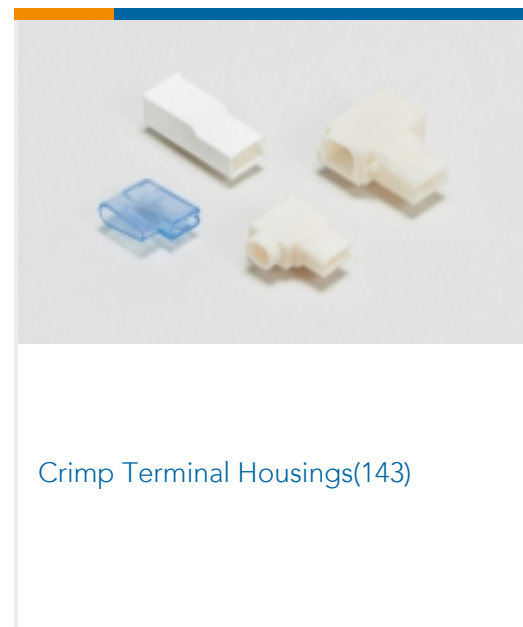
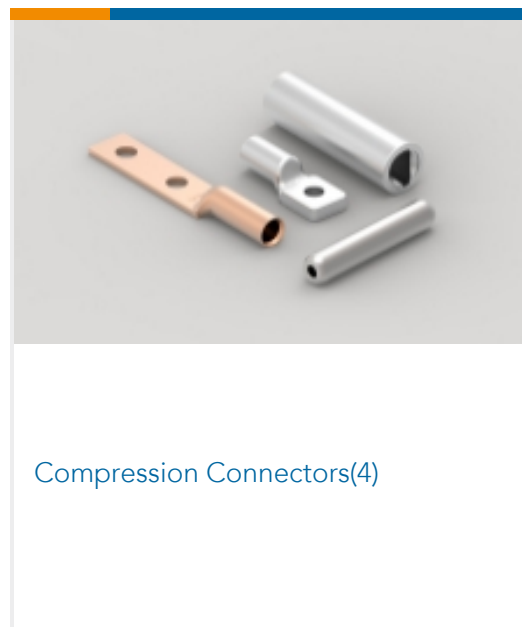
#### Product Compliance Disclaimer

This information is provided based on reasonable inquiry of our suppliers and represents our current actual knowledge based on the information they provided. This information is subject to change. The part numbers that TE has identified as EU RoHS compliant have a maximum concentration of 0.1% by weight in homogenous materials for lead, hexavalent chromium, mercury, PBB, PBDE, DBP, BBP, DEHP, DIBP, and 0.01% for cadmium, or qualify for an exemption to these limits as defined in the Annexes of Directive 2011/65/EU (RoHS2). Finished electrical and electronic equipment products will be CE marked as required by Directive 2011/65/EU. Components may not be CE marked. Additionally, the part numbers that TE has identified as EU ELV compliant have a maximum concentration of 0.1% by weight in homogenous materials for lead, hexavalent chromium, and mercury, and 0.01% for cadmium, or qualify for an exemption to these limits as defined in the Annexes of Directive 2000/53/EC (ELV). Regarding the REACH Regulation, the information TE provides on SVHC in articles for this part number is based on the latest European Chemicals Agency (ECHA) 'Guidance on requirements for substances in articles' posted at this URL: <https://echa.europa.eu/guidance-documents/guidance-on-reach>

### Compatible Parts



Also in the Series | **FASTON 250**





PCB Terminals(144)

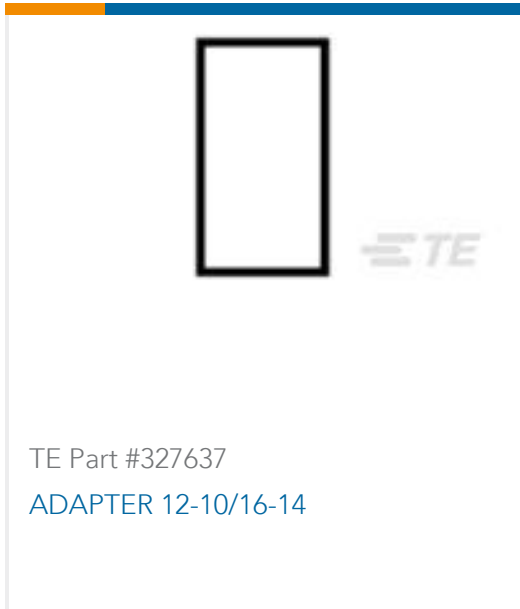


Quick Disconnects(456)



Splices(4)

### Customers Also Bought



TE Part #327637  
ADAPTER 12-10/16-14



TE Part #521205-1  
POSI-LOK HSG.250-3 POS RAST5



TE Part #41559  
RING 18-14 AWG BR



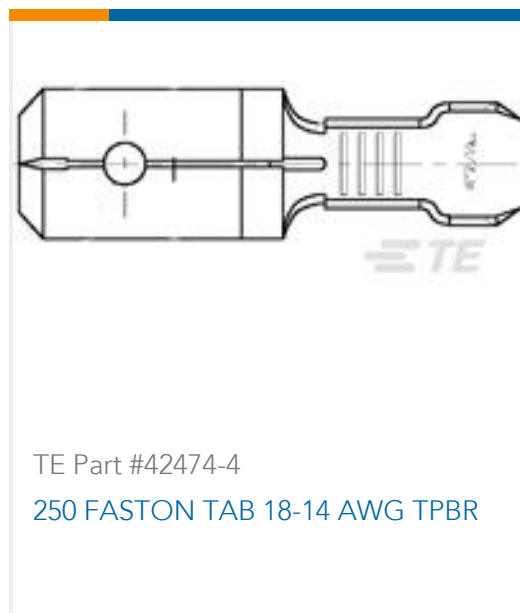
TE Part #63011-2  
250 FASTON FLAG REC 18-14 AWG TPBR



TE Part #61492-1  
SPLICE 2048-5250 .020 BR



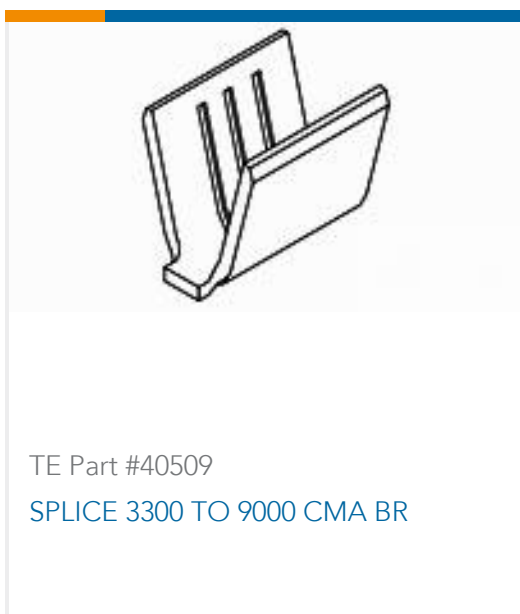
TE Part #34839  
RING TERMINAL 18-14 AWG BR



TE Part #42474-4  
250 FASTON TAB 18-14 AWG TPBR



TE Part #60938-2  
250 FASTON REC 18-14 AWG TPBR



TE Part #40509  
SPLICE 3300 TO 9000 CMA BR



TE Part #60635-1  
250 FASTON REC 14-10 AWG TPBR

### Documents

#### Product Drawings

[250 FASTON FLAG REC 18-14 AWG TPBR](#)

English

#### CAD Files

Customer View Model

[ENG\\_CVM\\_CVM\\_60650-2\\_N.2d\\_dxf.zip](#)

English

[3D PDF](#)



3D

Customer View Model

[ENG\\_CVM\\_CVM\\_60650-2\\_N.3d\\_igs.zip](#)

English

Customer View Model

[ENG\\_CVM\\_CVM\\_60650-2\\_N.3d\\_stp.zip](#)

English

By downloading the CAD file I accept and agree to the [Terms and Conditions](#) of use.

---

### Datasheets & Catalog Pages

[82004 FASTON Terminals \(Insulated and Uninsulated\) Catalog - FASTON Receptacles Section](#)

English

---

### Product Specifications

[Application Specification](#)

English

---

### Product Environmental Compliance

[MD\\_60650-2\\_042020142244\\_dmtec](#)

English

[MD\\_60650-2\\_042020142244\\_dmtec](#)

English