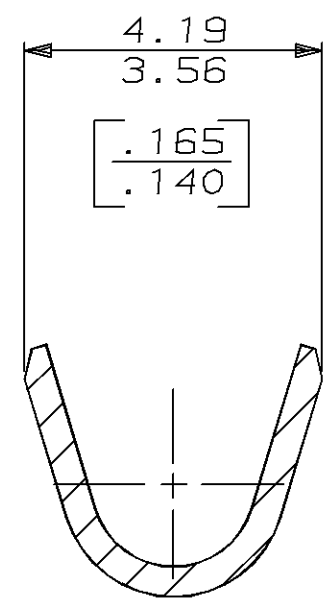
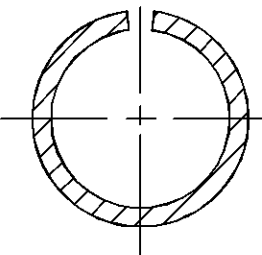
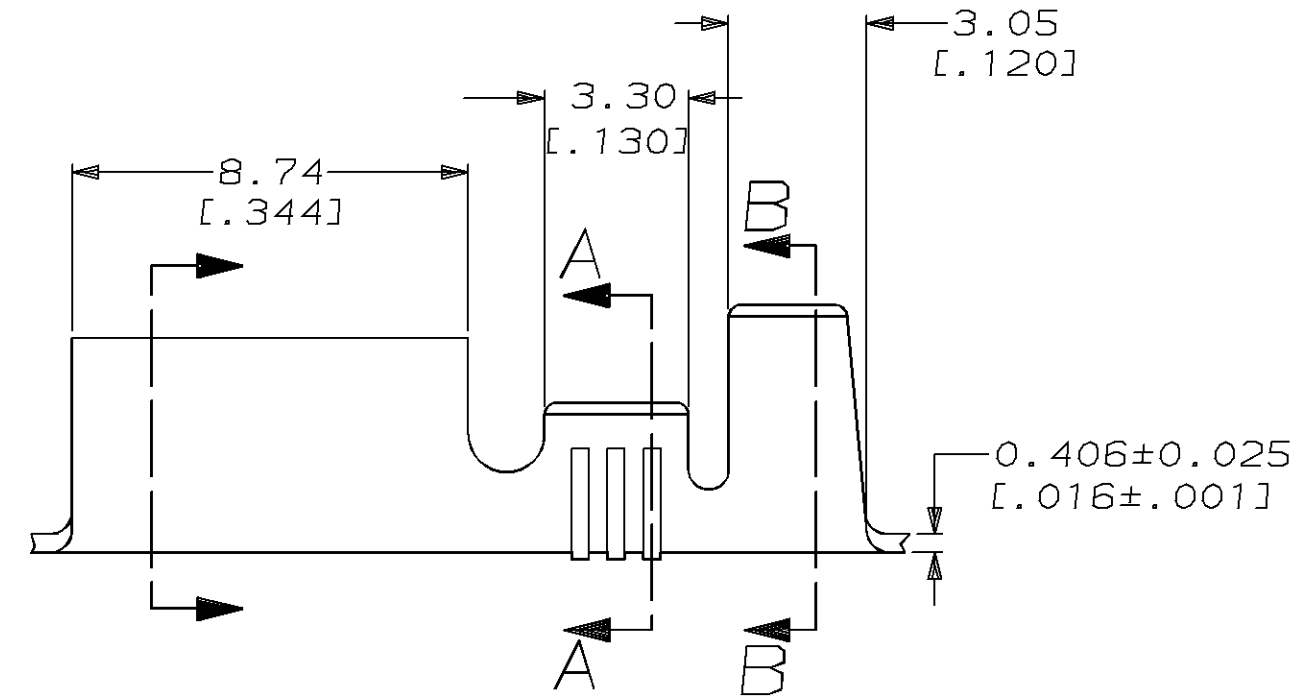
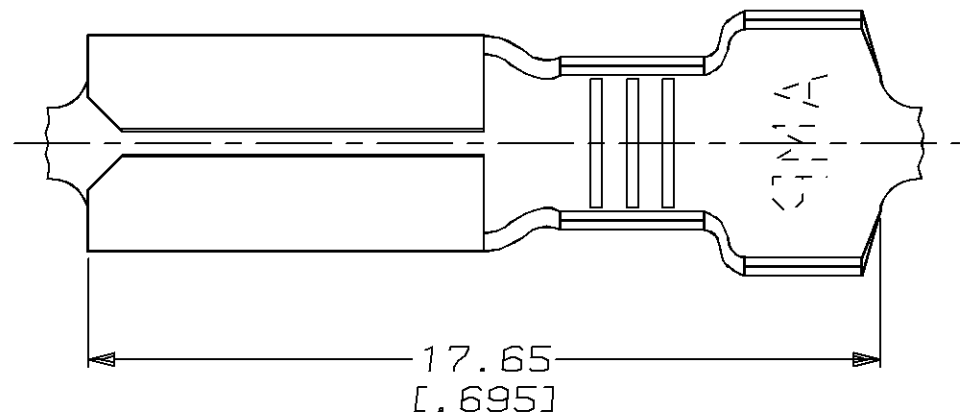


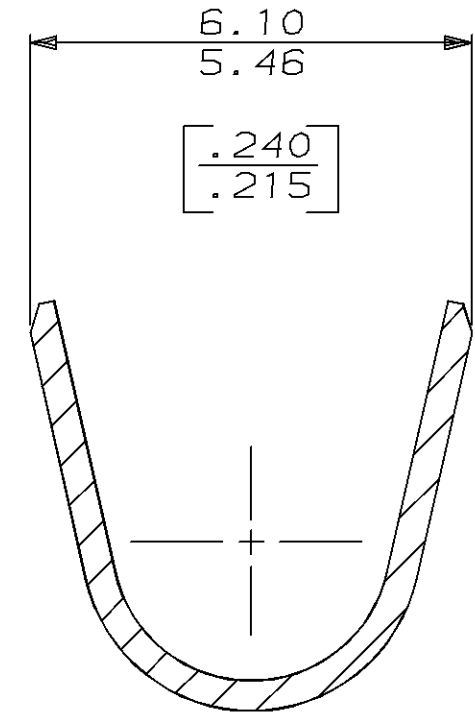
THIS DRAWING IS UNPUBLISHED. RELEASED FOR PUBLICATION, 19 .
 © COPYRIGHT 19 BY AMP INCORPORATED. ALL INTERNATIONAL RIGHTS RESERVED.

LOC	DIST	P	F	ZONE	LTR	REVISIONS	DATE	APPD
AF	50				A	RELEASE TO PRODUCTION PER 0710-0401-95	08/SEP/95	PF/GY

1 CONTINUOUS STRIP ON REEL.



SECTION A-A
SCALE 10:1



SECTION B-B
SCALE 10:1

3.30-4.44 [.130-.175] DIA	[18-14] AWG	63865-1
INSULATION RANGE	WIRE RANGE	PART NO

DO NOT SCALE PRINT. UNLESS SPECIFIED DIMENSIONS IN mm [INCHES] TOLERANCES ON: 2 PLC DEC ± - 3 PLC DEC ± - ANGLES ± -	DR 16/AUG/95 PHILLIP M FORTNEY	AMP AMP Incorporated Harrisburg, PA 17105-3608
	CHK 16/AUG/95 JEFF R RUTH	
MATERIAL 4M BRASS	APPD 16/AUG/95 GARY YETTER	NAME RECEPTACLE, SHUR PLUG, 3.96 [±0.156] DIA
	APPD 16/AUG/95 MARK BARNABA	SIZE B
FINISH 0.002032 [±0.00080] MIN TIN PL PER MIL-T-10727	PRODUCT SPEC -	CAGE CODE 00779
	APPLICATION SPEC -	DRAWING NO C-63865
	WEIGHT -	SCALE 6:1
		SHEET 1 OF 1

THIS DRAWING IS A CONTROLLED DOCUMENT FOR AMP INCORPORATED. IT IS SUBJECT TO CHANGE AND THE CONTROLLING ENGINEERING ORGANIZATION SHOULD BE CONTACTED FOR THE LATEST REVISION.